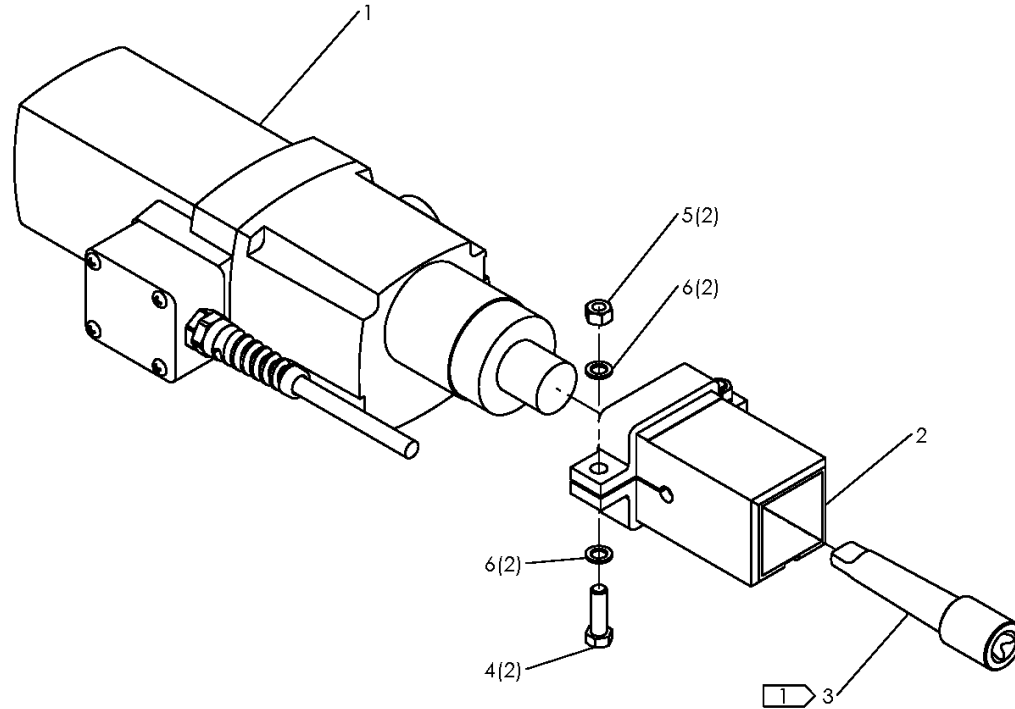


Acrobat™ FACER MOTOR MODULE ASSEMBLY

NOTE: THIS DRAWING AND THE INFORMATION CONTAINED THEREIN IS THE CONFIDENTIAL AND PROPRIETARY PROPERTY OF McElroy Manufacturing, Inc. THE DRAWING IS NOT TO BE REPRODUCED IN ANY MANNER, SUBMITTED TO OUTSIDE PARTIES FOR EXAMINATION, OR USED DIRECTLY OR INDIRECTLY FOR THE PURPOSES OTHER THAN THOSE FOR WHICH IT WAS FURNISHED WITHOUT WRITTEN PERMISSION OF McElroy Manufacturing, Inc.

NOTES:

1. USE SOLVENT / BRAKE CLEANER TO REMOVE OIL COATING ON TAPER ONLY.
APPLY LOCTITE 680 OR EQUIVALENT HIGH STRENGTH RETAINING COMPOUND TO TAPER.
TURN TO ALIGN ITEM 3 TAB WITH SLOT IN HOUSING OF ITEM 1 AND FULLY SEAT.
THEN FIRMLY TAP ITEM 3 INTO ITEM 1 WITH A SOFT Mallet.



McElroy Manufacturing Parts List

Part Number: 2493001 Acrobat Facer Motor Module Assembly

Part Number 2493001 Component List

Item	Component	Description	Quantity	Unit	Price
1	2493002	Motor Modification Assembly	1.0	EA	3,351.00
2	2493101	Clamping Motor Mount	1.0	EA	521.00
3	2493201	MT3 Adapter Mod	1.0	EA	722.00
4	MAB00065	3/8-16NCX1-1/4LG Hhcs	2.0	EA	0.52
5	MBC00063	3/8-16NC Prev Trq Lck Nut PL	2.0	EA	0.00
6	MBG00001	3/8 Type 'an' FL Wshr Stl PL	4.0	EA	0.26

Please visit <https://fusion.mcelroy.com/parts> to purchase parts or for more information.

