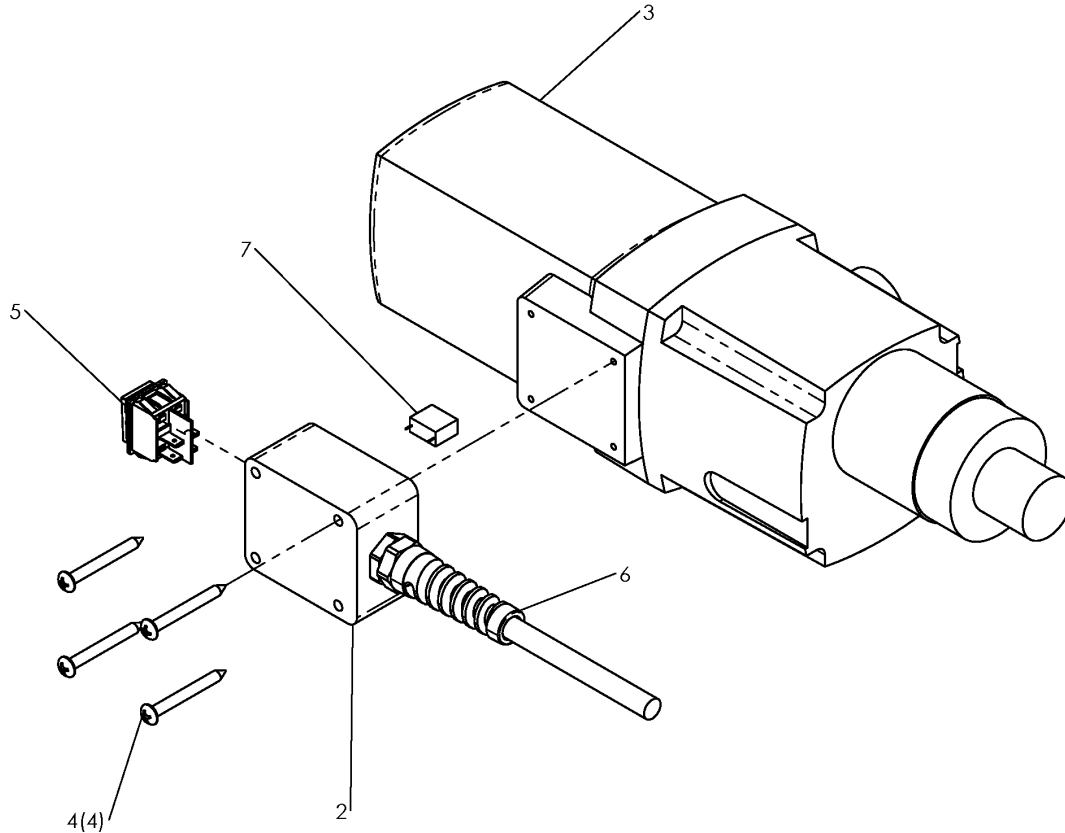


## MOTOR MODIFICATION ASSEMBLY

NOTE: THIS DRAWING AND THE INFORMATION CONTAINED THEREIN IS THE CONFIDENTIAL AND PROPRIETARY PROPERTY OF McElroy Manufacturing, Inc. THE DRAWING IS NOT TO BE REPRODUCED IN ANY MANNER, SUBMITTED TO OUTSIDE PARTIES FOR EXAMINATION, OR USED DIRECTLY OR INDIRECTLY FOR THE PURPOSES OTHER THAN THOSE FOR WHICH IT WAS FURNISHED WITHOUT WRITTEN PERMISSION OF McElroy Manufacturing, Inc.



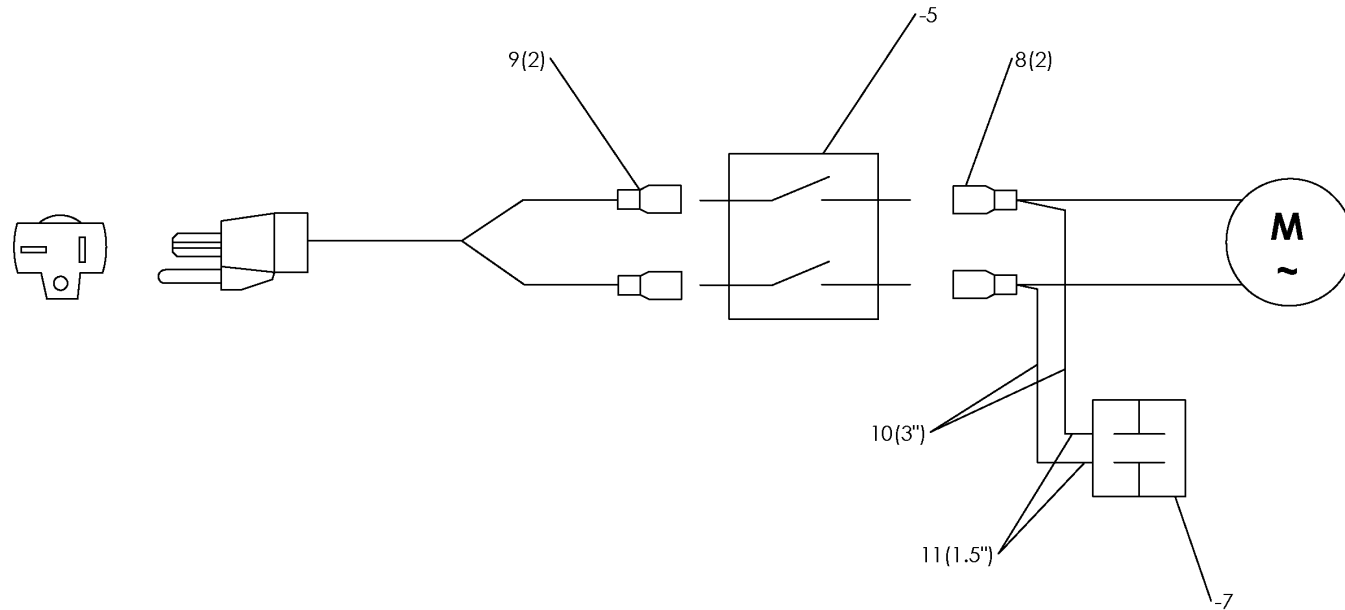
MATL:

UNLESS NOTED OTHERWISE:	(3) PLC. DIMS .XXX = ±0.005"	REMOVE ALL BURRS	ALL DIMENSIONS ARE PRE-FINISH APPLICATION
	(2) PLC. DIMS .XX = ±0.010"	BREAK ALL SHARP EDGES	
	FRACTIONAL DIMS = ±1/32"	STAMP OR ETCH P/N ON ALL DETAIL PARTS	
	ANGULAR DIMS = ±1/4°		

MMI NUMBER	SIZE AND DESCRIPTION

## MOTOR MODIFICATION ASSEMBLY

NOTE: THIS DRAWING AND THE INFORMATION CONTAINED HEREIN IS THE CONFIDENTIAL AND PROPRIETARY PROPERTY OF McElroy Manufacturing, Inc. THE DRAWING IS NOT TO BE REPRODUCED IN ANY MANNER, SUBMITTED TO OUTSIDE PARTIES FOR EXAMINATION, OR USED DIRECTLY OR INDIRECTLY FOR THE PURPOSES OTHER THAN THOSE FOR WHICH IT WAS FURNISHED WITHOUT WRITTEN PERMISSION OF McElroy Manufacturing, Inc.



MATL:

UNLESS NOTED OTHERWISE:	(3) PLC DIMS .XXX = ±0.005" (2) PLC DIMS .XX = ±0.010" FRACTIONAL DIMS = ±1/32" ANGULAR DIMS = ±1/4°	REMOVE ALL BURRS BREAK ALL SHARP EDGES STAMP OR ETCH P/N ON ALL DETAIL PARTS	ALL DIMENSIONS ARE PRE-FINISH APPLICATION
-------------------------	---	---	---

MMI NUMBER	SIZE AND DESCRIPTION

## McElroy Manufacturing Parts List

**Part Number:** 2493002 Motor Modification Assembly

### Part Number 2493002 Component List

Item	Component	Description	Quantity	Unit	Price
1	2483201	20A/240V Cord W/nema 6-20 Plug	1.0	EA	311.00
2	2493003	Facer Motor Blanking Box	1.0	EA	430.00
3	2493004	Facer Motor Mod	1.0	EA	0.00
4	MAP00009	#12 X 2LG Phpsms	4.0	EA	0.00
4	MAP00002	#12X2.5LG Phssms (Effective 5/17/22 to 6/26/22)	4.0	EA	0.00
5	MDB00123	Toggle Switch for MDB00120/121	1.0	EA	101.00
6	MDB00127	Strain Relief for MDB00120 (Effective to 6/5/18)	1.0	EA	30.91
6	MLK00064	Strain Relief Connector	1.0	EA	9.77
7	MKF00013	310 Vac, .1MFD Capacitor	1.0	EA	0.00
8	MLM00176	14-16 X 3/16 Male Disconnect (Effective to 6/5/18)	4.0	EA	0.00
8	MLM00017	14-16 X 1/4 Female Disconnect	2.0	EA	0.89
9	MLM00085	10-12 X 1/4 Female Disconnect	2.0	EA	0.00
10	MLL00054	#20 Mtw/tew Wire, Black	0.25	FT	0.00
11	MLN00311	1/8" Black Shrink Tubing	1.5	IN	3.00

Please visit <https://fusion.mcelroy.com/parts> to purchase parts or for more information.