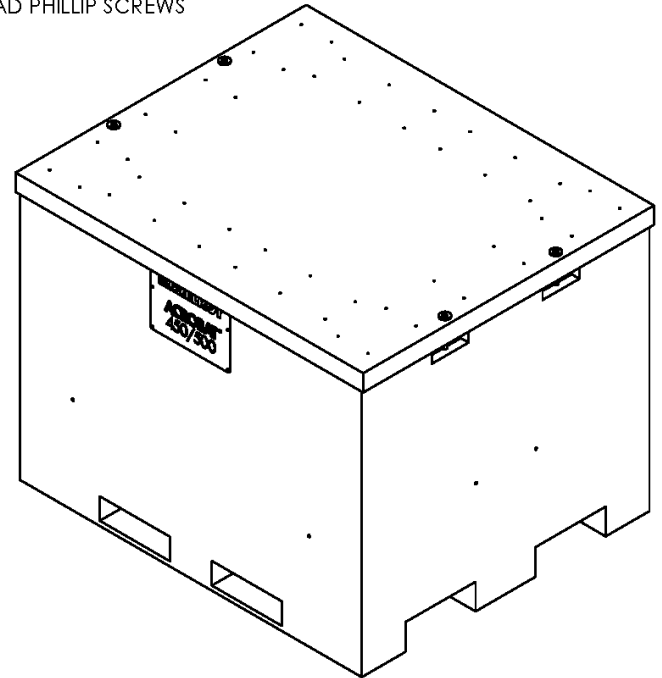
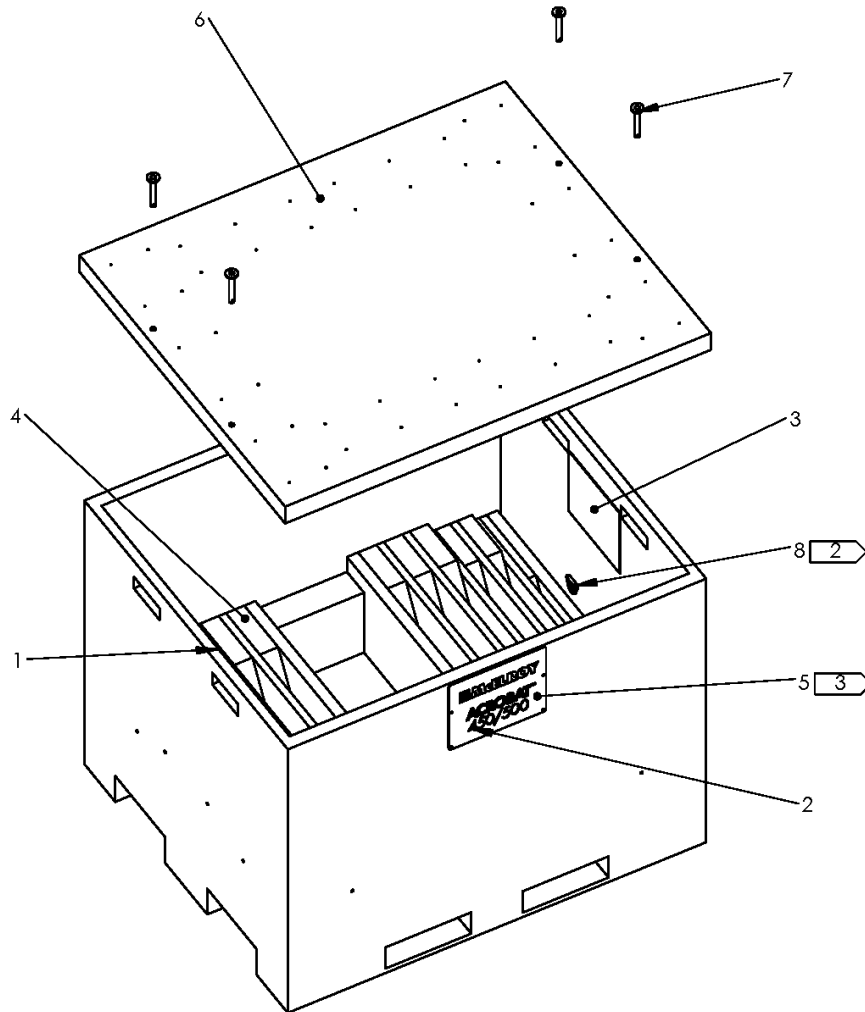


Acrobat 450/500mm Box Assy

NOTE: THIS DRAWING AND THE INFORMATION CONTAINED THEREIN IS THE CONFIDENTIAL AND PROPRIETARY PROPERTY OF McElroy Manufacturing, Inc. THE DRAWING IS NOT TO BE REPRODUCED IN ANY MANNER, SUBMITTED TO OUTSIDE PARTIES FOR EXAMINATION, OR USED DIRECTLY OR INDIRECTLY FOR THE PURPOSES OTHER THAN THOSE FOR WHICH IT WAS FURNISHED WITHOUT WRITTEN PERMISSION OF McElroy Manufacturing, Inc.

NOTES:

1. ALL HARDWARE TO BE INSTALLED WITH NYLON LOCK NUTS
2. HARDWARE IS: 4X 1/4-20 X 1" CARRIAGE BOLTS
3. HARDWARE IS: 4X 10-14 X 5/8" PAN HEAD PHILLIP SCREWS



McElroy Manufacturing Parts List

Part Number: 2493702 Acrobat 450/500mm Box Assembly

Part Number 2493702 Component List

Item	Component	Description	Quantity	Unit	Price
1	2480001	Acrobat QF Htr JW Pkg Sticker	1.0	EA	0.00
2	2480005	Acrbt W/qf 450-500 Pkg Plq Lbl	1.0	EA	0.00
3	2480007	Acrbt W/qf Crg Asy Illstrn Lbl	1.0	EA	0.00
4	2493705	450/500MM Med Foam Inserts	1.0	EA	0.00
5	2493708	450/500MM Branding Plate	1.0	EA	0.00
6	2493801	Acrobat Box Lid Assy	1.0	EA	968.00
7	2493901	Pin Lock Wld	4.0	EA	35.00
8	2511103	Tie Down Ring Set	1.0	EA	0.00
9	MJD00086	Ratchet Strap Green 1" X 14'	1.0	EA	0.00

Please visit <https://fusion.mcelroy.com/parts> to purchase parts or for more information.

