



McElroy Manufacturing, Inc.
The leader by design.
Tulsa, Oklahoma U.S.A.

DRAWN:	LR	CHECK:	ZSC	APPRV'D:	JAB	DATE:	3/14/18	SHT No:	1A	REV No:	F	PART No:	2497001
--------	----	--------	-----	----------	-----	-------	---------	---------	----	---------	---	----------	---------

EP2800Q (Acrobat™ QuikFit™) HPU ELECTRICAL WIRING SCHEMATIC 208-240V, 50/60Hz, 1Ph

NOTE: THIS DRAWING AND THE INFORMATION CONTAINED THEREIN IS THE CONFIDENTIAL AND PROPRIETARY PROPERTY OF McElroy Manufacturing, Inc. THE DRAWING IS NOT TO BE REPRODUCED IN ANY MANNER, SUBMITTED OUTSIDE PARTIES FOR EXAMINATION, OR USED DIRECTLY OR INDIRECTLY FOR THE PURPOSES OTHER THAN THOSE FOR WHICH IT WAS FURNISHED WITHOUT WRITTEN PERMISSION OF McElroy Manufacturing, Inc.

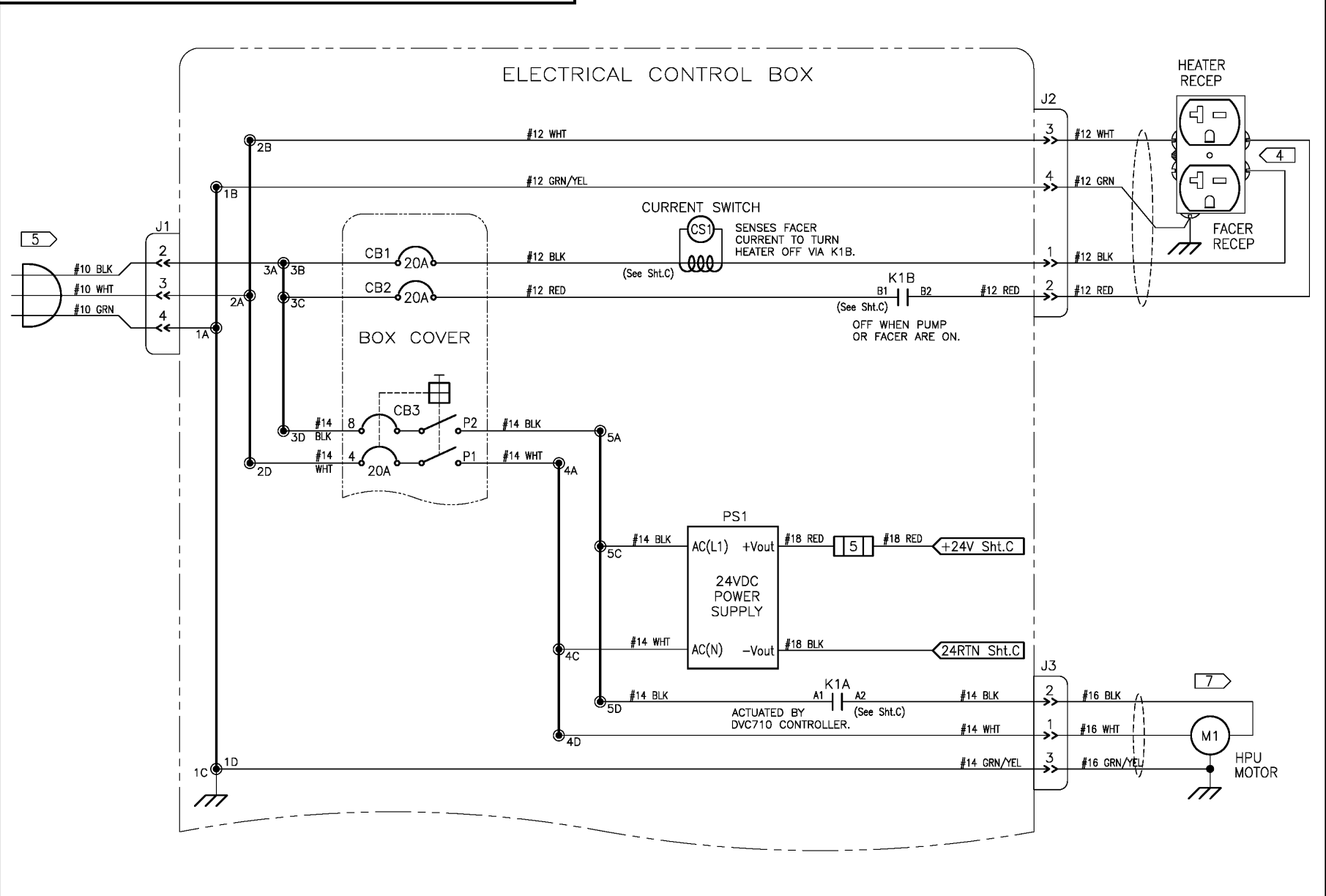
ACROBAT HPU 630

NOTES:

1. ALL WIRES ARE 18 AWG UNLESS OTHERWISE NOTED.
2. WIRE SPLICE (Ref. HPU HARNESS #2497003).
3. CRIMP 1/4" DISCONNECTS.
4. REMOVE RECEPTICAL JUMPER TAB (Ref. RECEP HARNESS #2497004).
5. 240VAC @ 30A CONNECTION (Ref. POWER HARNESS #2497006).
6. TERMINAL BLOCK INSERTION BRIDGES ARE NOT SHOWN (Ref. ELECTRICAL BOX ASSY #2497002).
7. 240VAC MOTOR WIRING (Ref. MOTOR CABLE ASSY #2497005). WIRE PER MOTOR NAMEPLATE – CLOCKWISE AS VIEWED FROM FAN END.

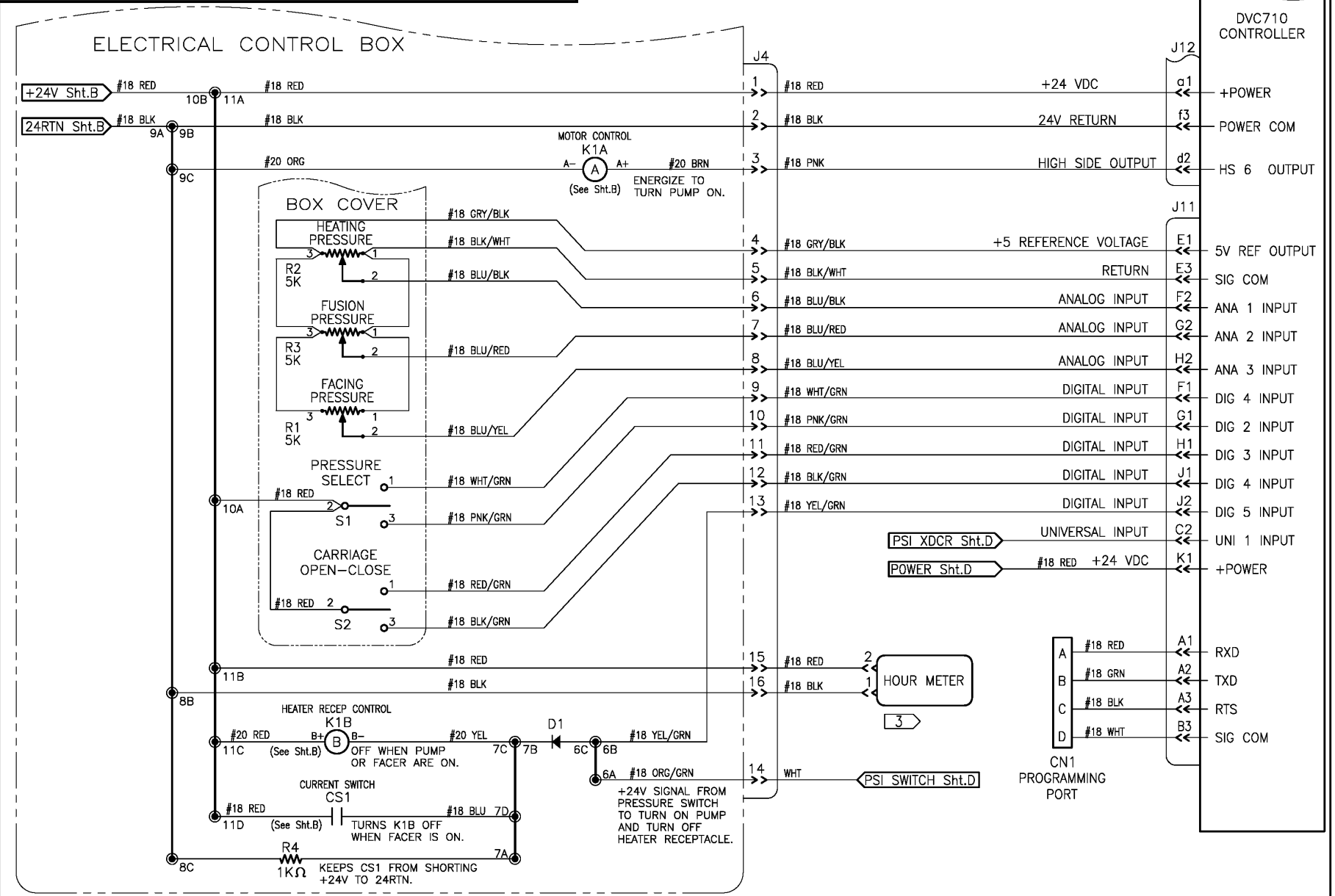


NOTE: THIS DRAWING AND THE INFORMATION CONTAINED THEREIN IS THE CONFIDENTIAL AND PROPRIETARY PROPERTY OF McElroy Manufacturing, Inc. THE DRAWING IS NOT TO BE REPRODUCED IN ANY MANNER, SUBMITTED OUTSIDE PARTIES FOR EXAMINATION, OR USED DIRECTLY OR INDIRECTLY FOR THE PURPOSES OTHER THAN THOSE FOR WHICH IT WAS FURNISHED WITHOUT WRITTEN PERMISSION OF McElroy Manufacturing, Inc.





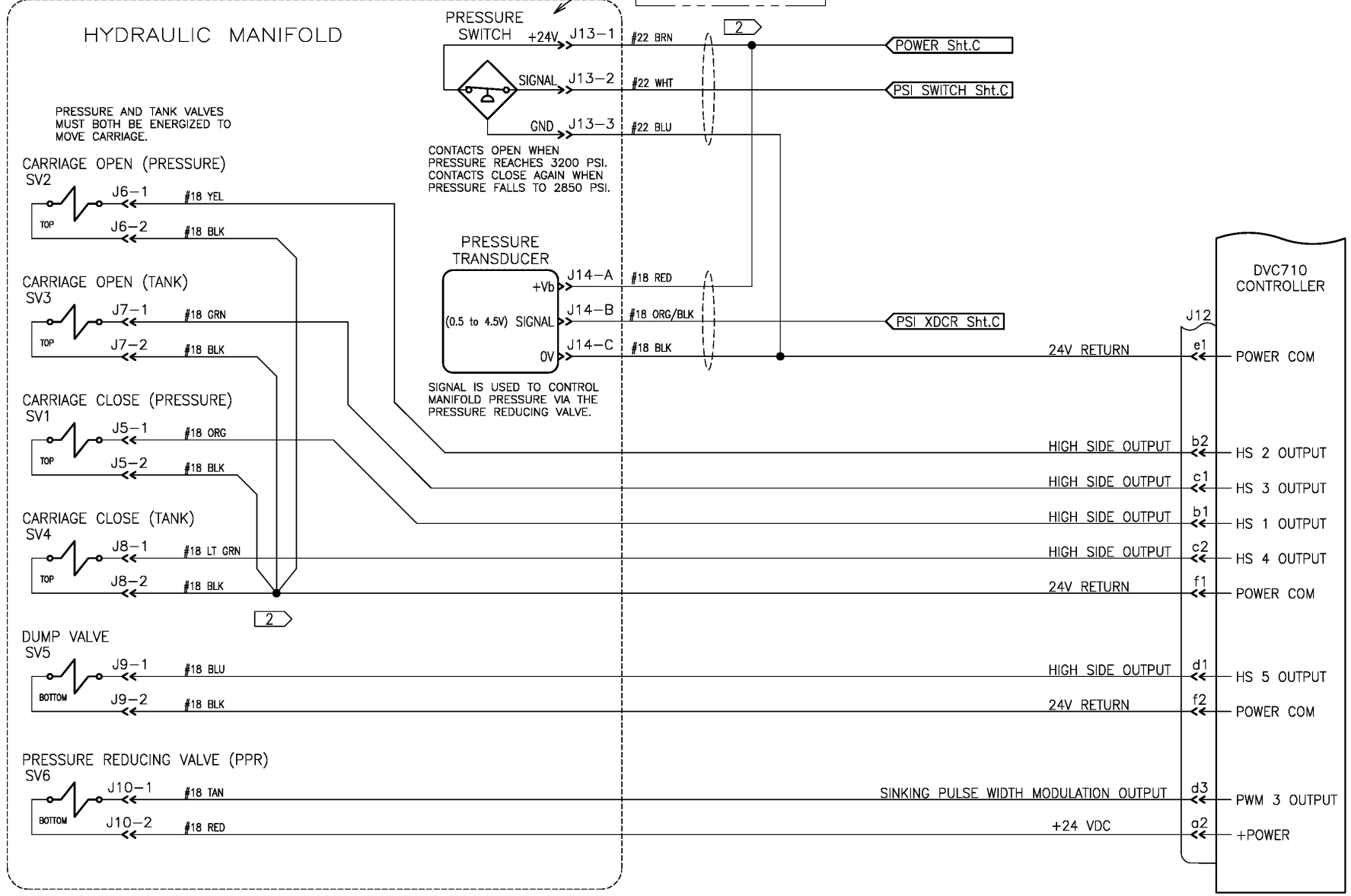
NOTE: THIS DRAWING AND THE INFORMATION CONTAINED THEREIN IS THE CONFIDENTIAL AND PROPRIETARY PROPERTY OF McElroy Manufacturing, Inc. THE DRAWING IS NOT TO BE REPRODUCED IN ANY MANNER, SUBMITTED OUTSIDE PARTIES FOR EXAMINATION, OR USED DIRECTLY OR INDIRECTLY FOR THE PURPOSES OTHER THAN THOSE FOR WHICH IT WAS FURNISHED WITHOUT WRITTEN PERMISSION OF McElroy Manufacturing, Inc.





NOTE: THIS DRAWING AND THE INFORMATION CONTAINED THEREIN IS THE CONFIDENTIAL AND PROPRIETARY PROPERTY OF McElroy Manufacturing, Inc. THE DRAWING IS NOT TO BE REPRODUCED IN ANY MANNER, SUBMITTED OUTSIDE PARTIES FOR EXAMINATION, OR USED DIRECTLY OR INDIRECTLY FOR THE PURPOSES OTHER THAN THOSE FOR WHICH IT WAS FURNISHED WITHOUT WRITTEN PERMISSION OF McElroy Manufacturing, Inc.

Prior to September 2021:
CONTACTS OPEN WHEN
PRESSURE REACHES 3500 PSI.
CONTACTS CLOSE AGAIN WHEN
PRESSURE FALLS TO 3150 PSI.



McElroy Manufacturing Parts List

Part Number: 2497001 Acrobat QuikFit 208-240V HPU Electrical Wiring Schematic

Please visit <https://fusion.mcelroy.com/parts> to purchase parts or for more information.

