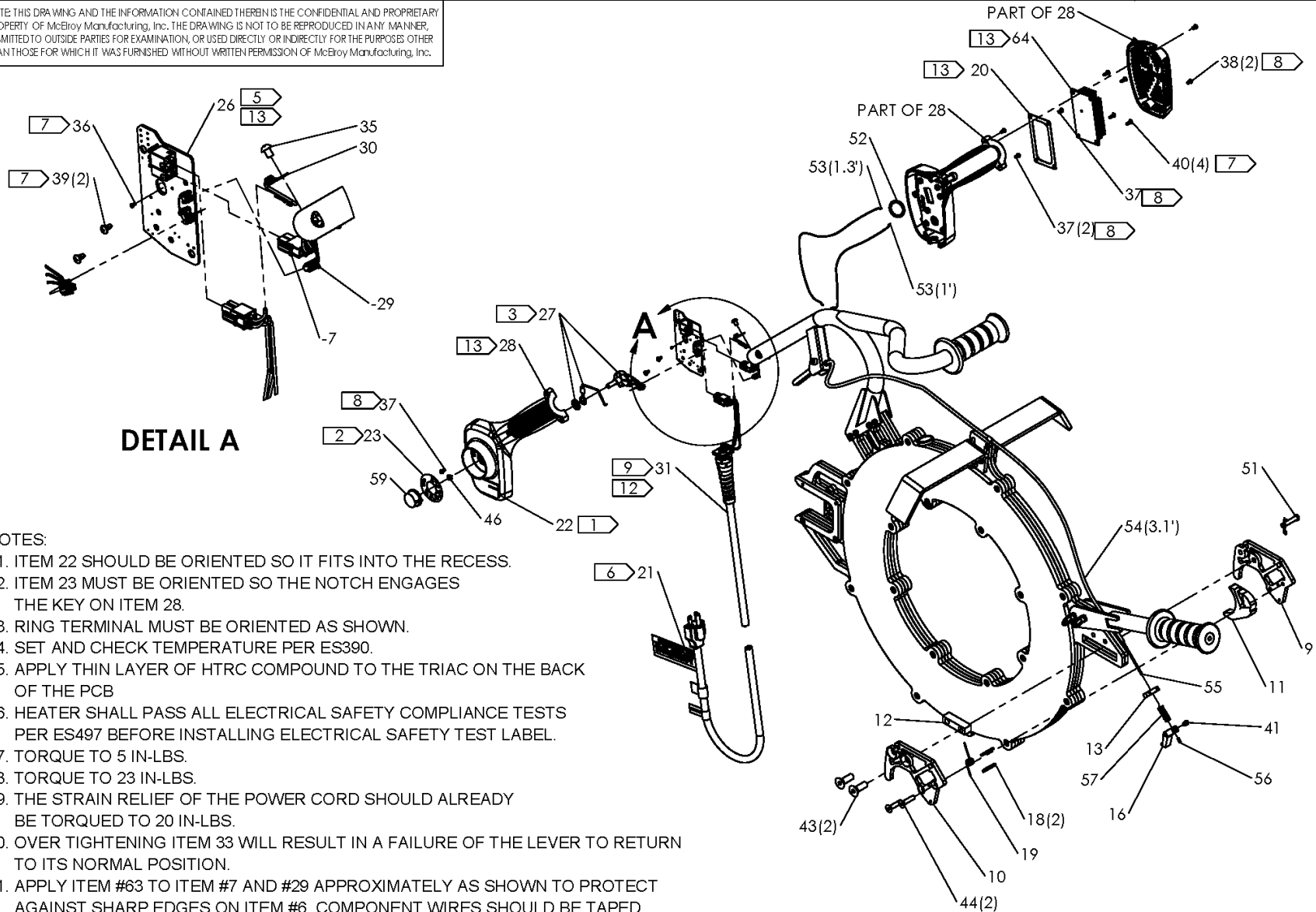


## Acrobat™ 500mm HEATER ASSEMBLY

NOTE: THIS DRAWING AND THE INFORMATION CONTAINED THEREIN IS THE CONFIDENTIAL AND PROPRIETARY PROPERTY OF McElroy Manufacturing, Inc. THE DRAWING IS NOT TO BE REPRODUCED IN ANY MANNER, SUBMITTED TO OUTSIDE PARTIES FOR EXAMINATION, OR USED DIRECTLY OR INDIRECTLY FOR THE PURPOSES OTHER THAN THOSE FOR WHICH IT WAS FURNISHED WITHOUT WRITTEN PERMISSION OF McElroy Manufacturing, Inc.



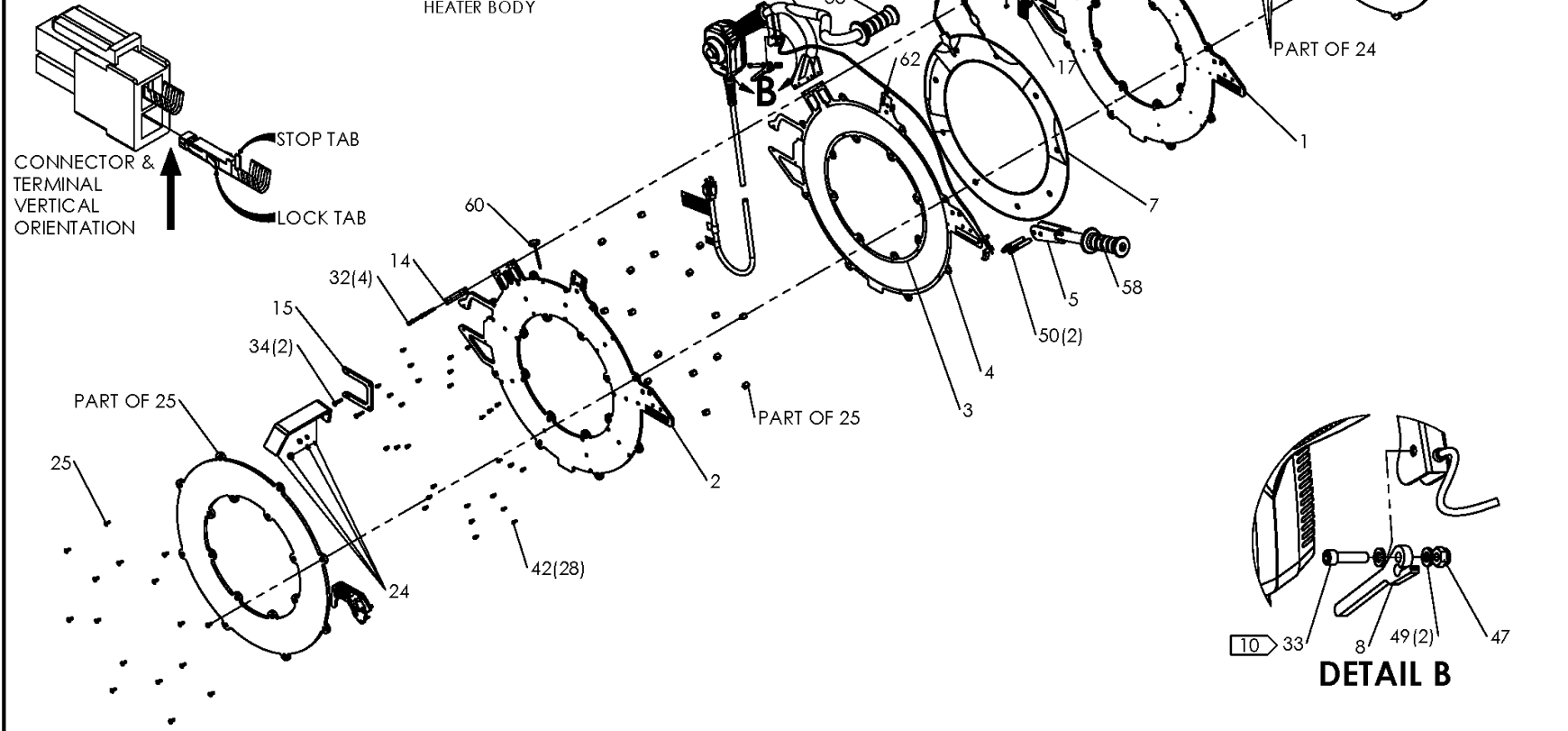
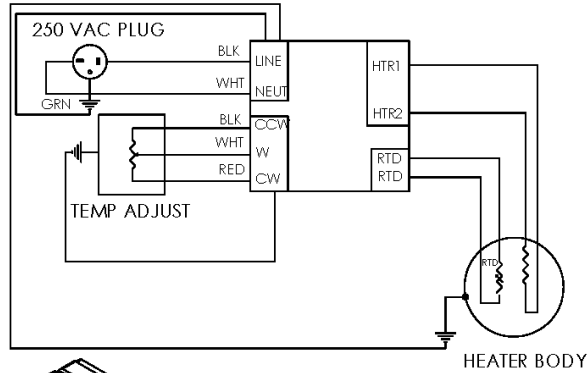
**DETAIL A**

**NOTES:**

1. ITEM 22 SHOULD BE ORIENTED SO IT FITS INTO THE RECESS.
2. ITEM 23 MUST BE ORIENTED SO THE NOTCH ENGAGES THE KEY ON ITEM 28.
3. RING TERMINAL MUST BE ORIENTED AS SHOWN.
4. SET AND CHECK TEMPERATURE PER ES390.
5. APPLY THIN LAYER OF HTRC COMPOUND TO THE TRIAC ON THE BACK OF THE PCB
6. HEATER SHALL PASS ALL ELECTRICAL SAFETY COMPLIANCE TESTS PER ES497 BEFORE INSTALLING ELECTRICAL SAFETY TEST LABEL.
7. TORQUE TO 5 IN-LBS.
8. TORQUE TO 23 IN-LBS.
9. THE STRAIN RELIEF OF THE POWER CORD SHOULD ALREADY BE TORQUED TO 20 IN-LBS.
10. OVER TIGHTENING ITEM 33 WILL RESULT IN A FAILURE OF THE LEVER TO RETURN TO ITS NORMAL POSITION.
11. APPLY ITEM #63 TO ITEM #7 AND #29 APPROXIMATELY AS SHOWN TO PROTECT AGAINST SHARP EDGES ON ITEM #6. COMPONENT WIRES SHOULD BE TAPED SEPARATELY FROM OTHER COMPONENTS.
12. ORDER AT5078123 TO REPLACE POWER CABLE.
13. COMPONENT MUST BE ORDERED AS PART OF THE T5033401 SUBASSEMBLY

## Acrobat™ 500mm HEATER ASSEMBLY

NOTE: THIS DRAWING AND THE INFORMATION CONTAINED THEREIN IS THE CONFIDENTIAL AND PROPRIETARY PROPERTY OF McElroy Manufacturing, Inc. THE DRAWING IS NOT TO BE REPRODUCED IN ANY MANNER, SUBMITTED TO OUTSIDE PARTIES FOR EXAMINATION, OR USED DIRECTLY OR INDIRECTLY FOR THE PURPOSES OTHER THAN THOSE FOR WHICH IT WAS FURNISHED WITHOUT WRITTEN PERMISSION OF McElroy Manufacturing, Inc.



## McElroy Manufacturing Parts List

**Part Number:** 2497701 Acrobat 500mm Heater Assembly

**Part Number 2497701 Component List**

Item	Component	Description	Quantity	Unit	Price
1	2481601	500MM Tapped Heater Body	1.0	EA	0.00
2	2481602	500MM C'bored Heater Body	1.0	EA	0.00
3	2481901	500MM Heater ID Spacer	1.0	EA	0.00
4	2481902	500MM Heater OD Spacer	1.0	EA	0.00
5	2482401	Auxillary Handle W/d	1.0	EA	152.00
6	2482501	Heater Handle W/d	1.0	EA	0.00
7	2483002	500MM Htr Elem W/conn	1.0	EA	899.00
8	2483701	Lever	1.0	EA	30.16
9	2483801	Tapped Latch Side Plate	1.0	EA	288.00
10	2483802	C'sunk Latch Side Plate	1.0	EA	218.00
11	2483901	Heater Latch	1.0	EA	219.00
12	2484001	Heater Latch Key	1.0	EA	70.20
13	2484101	Cable Stop	1.0	EA	86.00
14	2484201	Heater Gasket	2.0	EA	12.91
15	2484301	Htr Guide Rod Support Bracket	2.0	EA	71.40
16	2484401	Locking Piece	1.0	EA	144.00
17	2484501	Pivot Side Adjustment Block	1.0	EA	27.70
18	2484601	Cross Bar	2.0	EA	7.96
19	2484701	Torsion Spring Mod	1.0	EA	19.82
20	437401	Heat Sink Gasket	1.0	EA	0.00
21	8163210	Electrical Safety Test Label	1.0	EA	0.00
22	8163401	Model 2497701 Part NO Label	1.0	EA	0.00
23	816382	Temperature Scale Label	1.0	EA	7.33
24	A1852010	618(12/18) Stripper Bar Kit	1.0	EA	176.00
25	A2482201	500mm Heater Butt Plate Kit	1.0	EA	3,021.00
26	T5030006	Heater Control Pcb Assy (Effective to 12/15/20)	1.0	EA	0.00
26	T5030009	Heater Control Pcb Assy	1.0	EA	0.00
27	T5030007	Potentiometer Assy	1.0	EA	26.35
28	T5030108	Heater Handle/enclosure	1.0	EA	0.00
29	T5077603	Rtd W/ Conn X 26"	1.0	EA	98.16
30	T5077905	Ground Wire W/#10 Term X 5"	1.0	EA	30.40
31	T5078107	20A/250V Pwr Cord W/plug&conn	1.0	EA	0.00
32	MAC00041	#10-24NCX1-1/4LG Shcs PL	4.0	EA	0.69
33	MAC00055	1/4-20NCX1LG Shcs PL	1.0	EA	0.25
34	MAD00283	#10-24NCX1LG Fhscs PL	4.0	EA	0.18
35	MAH00030	#10-24NCX1/4LG Rhsmss SS	1.0	EA	0.30
36	MAH00296	#6-32X1/4 Phil Pan Sealg Scr	1.0	EA	2.00
37	MAL00010	#6-19X3/4LG Torx T15 Pan Hdscr	4.0	EA	0.56
38	MAL00031	#6-19X1-1/2'LG Torx T15 Panscr	2.0	EA	0.24
39	MAL00034	#6-19X1/4LG Phil Pan Hdscr	2.0	EA	0.06
40	MAL00035	#6-19X3/8LG Phil Pan Hdscr	4.0	EA	0.08
41	MAN00013	#8-32NCX1/4LG Shcs SS	1.0	EA	0.39
42	MAN00023	#8-32NCX5/16LG Shcs SS	28.0	EA	0.49
43	MAN00123	3/8-16NCX1-1/8LG Fhscs SS	2.0	EA	1.67
44	MAN00124	1/4-20NCX1-1/8LG Fhscs SS	2.0	EA	1.09
45	MBA00004	#10-24NC Hex Nut Stl PL	4.0	EA	0.35
46	MBA00067	3/8-32NEF X 0.22 X 1/4 Sealnut	1.0	EA	6.22
47	MBC00005	1/4-20NC Fnsh Hex Nyl Lck Nut	1.0	EA	0.39
48	MBE00004	#10 Reg Splt Lck Washer Stl PL	4.0	EA	0.10
49	MBG00082	1/4" Nylon Washer	2.0	EA	0.46
50	MCE00060	3/8DIA X1-5/16 Grip Detent Pin	2.0	EA	6.21
51	MCF00070	1/4X1-1/16 Clevis W/ Hair Pin	1.0	EA	1.70
52	MDL00018	O-ring	1.0	EA	0.61
53	MDL00373	.040DIA Buna O-ring Cord Stock	2.3	FT	1.81
54	MDP00017	3/16 OD Bowden Conduit	3.1	FT	4.01

### McElroy Manufacturing Parts List

**Part Number:** 2497701 Acrobat 500mm Heater Assembly

55	MDP00018	Inner Brake Wire	1.0 EA	8.70
56	MDP00019	Cut Cable End Cap	1.0 EA	0.18
57	MJE00079	Compression Spring	1.0 EA	2.07
58	MJJ00009	1" Black Gloss Hand Grip	2.0 EA	3.86
59	MJJ00023	Control Knob	1.0 EA	5.24
60	MJK00002	2.5LG,150-650DEG F Thermometer	1.0 EA	48.72
61	MJN00022	Press Fit Ball Detent	1.0 EA	0.00
62	MLJ00119	Loop Clamp	1.0 EA	0.00
63	MLN00219	Fiberglass Tape (per Ft)	0.66 FT	0.56
64	MQI00111	Heatsink	1.0 EA	0.00

Please visit <https://fusion.mcelroy.com/parts> to purchase parts or for more information.

