



McElroy Manufacturing, Inc.  
The leader by design.  
Tulsa, Oklahoma U.S.A.

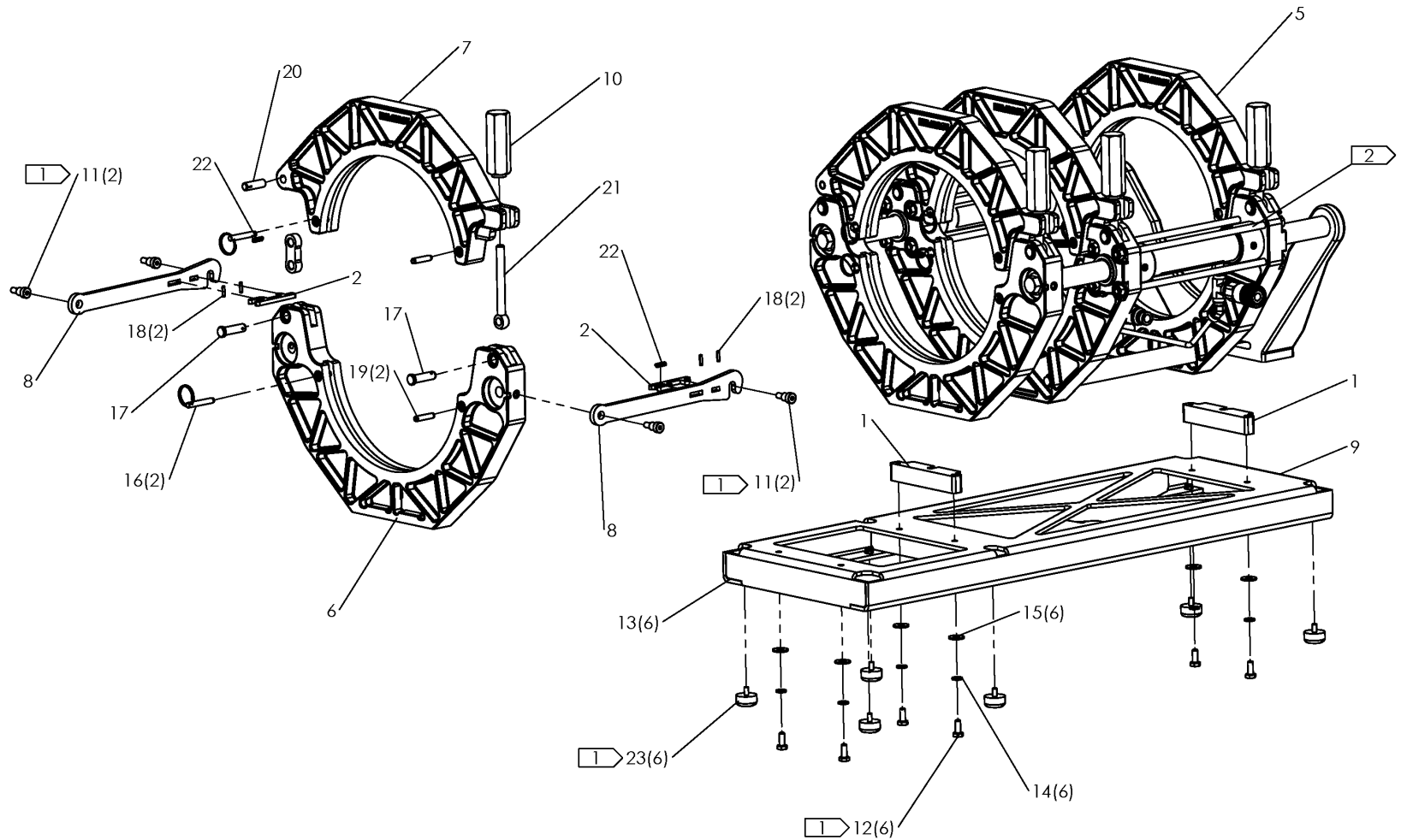
DRAWN: HECK CHECK: PJD APPRVD: BWJ DATE: 7/1/15 SHT No: 1 REV No: E PART No: 2500101

ACROBAT™ 250mm ASSEMBLY

NOTE: THIS DRAWING AND THE INFORMATION CONTAINED THEREIN IS THE CONFIDENTIAL AND PROPRIETARY PROPERTY OF McElroy Manufacturing, Inc. THE DRAWING IS NOT TO BE REPRODUCED IN ANY MANNER, SUBMITTED TO OUTSIDE PARTIES FOR EXAMINATION, OR USED DIRECTLY OR INDIRECTLY FOR THE PURPOSES OTHER THAN THOSE FOR WHICH IT WAS FURNISHED WITHOUT WRITTEN PERMISSION OF McElroy Manufacturing, Inc.

NOTES:

1. INSTALL WITH MEDIUM STRENGTH THREADED LOCKER.
2. FILL WITH VG-46 HYDRAULIC OIL.



## McElroy Manufacturing Parts List

**Part Number:** 2500101 Acrobat 250mm Assembly



**Acrobat 250mm assy**

**Part Number 2500101 Component List**

Item	Component	Description	Quantity	Unit	Price
1	716004	Attachment Block	2.0	EA	117.00
2	716301	Slide Latch	2.0	EA	16.59
3	716401	Jaw Link	1.0	EA	96.55
4	716501	Jaw Spacer (Effective to 7/17/18)	4.0	EA	0.00
5	2500201	Acrobat 250mm 3 Jaw Assembly	1.0	EA	0.00
6	2503103	Lower Fixed Jaw (Effective to 7/17/18)	1.0	EA	0.00
6	2503101	Lower Fixed Jaw	1.0	EA	654.00
7	2503203	Upper Fixed Jaw (Effective to 7/17/18)	1.0	EA	0.00
7	2503201	Upper Jaw	1.0	EA	488.00
8	2507501	Jaw Brace	2.0	EA	48.00
9	2508101	Skid Wld	1.0	EA	976.00
10	A211501	Short Clamp Knob Assembly	1.0	EA	89.51
11	MAE00133	1/4-20X5/8LG Bhscs Stl PL (Effective to 7/17/18)	4.0	EA	1.55
11	MAF00090	3/8DIA X 3/8LG Skthdshldrscr SS	4.0	EA	23.57
12	MAB00134	1/4-20NCX5/8LG Hhcs	6.0	EA	0.29
13	MBC00004	#10-24NC Mach Scr Nyl Lck Nut	6.0	EA	0.31
14	MBE00005	1/4 Reg Splt Lck Washer Stl PL	6.0	EA	0.10
15	MBF00005	1/4 TY 'a' Wide FL Wshr Stl PL	6.0	EA	0.11
16	MCE00052	1/4DIA X 1.1 GL Detent Pin	2.0	EA	9.91
17	MCF00060	1-1/2 Cotterless Clevis Pin	2.0	EA	6.00
18	MCG00003	1/8DIA X 1/2LG Roll Pin	4.0	EA	0.27
19	MCG00009	1/4DIA X 1-1/8LG Roll Pin	2.0	EA	0.73
20	MCK00015	3/8DIA X 1LG Lock Pin Stl PL (Effective to 6/5/17)	1.0	EA	3.76
20	MCK00016	3/8DIA X 1-1/4LG Lock Pin Stl PL	1.0	EA	3.76
21	MJB00021	3/8-16X3-3/4LG Eye Bolt	1.0	EA	26.37
22	MJE00062	3/16 Dia Compression Spring	2.0	EA	9.30

### McElroy Manufacturing Parts List

**Part Number:** 2500101 Acrobat 250mm Assembly

23	MJQ00566	1" Bumper 10-24 Stud	6.0 EA	3.71
----	----------	----------------------	--------	------

Please visit <https://fusion.mcelroy.com/parts> to purchase parts or for more information.

