



McElroy Manufacturing, Inc.

The leader by design.

Tulsa, Oklahoma U.S.A.

DRAWN: DCG

CHECK: MT

APPRVD: PJD

DATE: 7/16/15

SHT No: 1

REV No: E

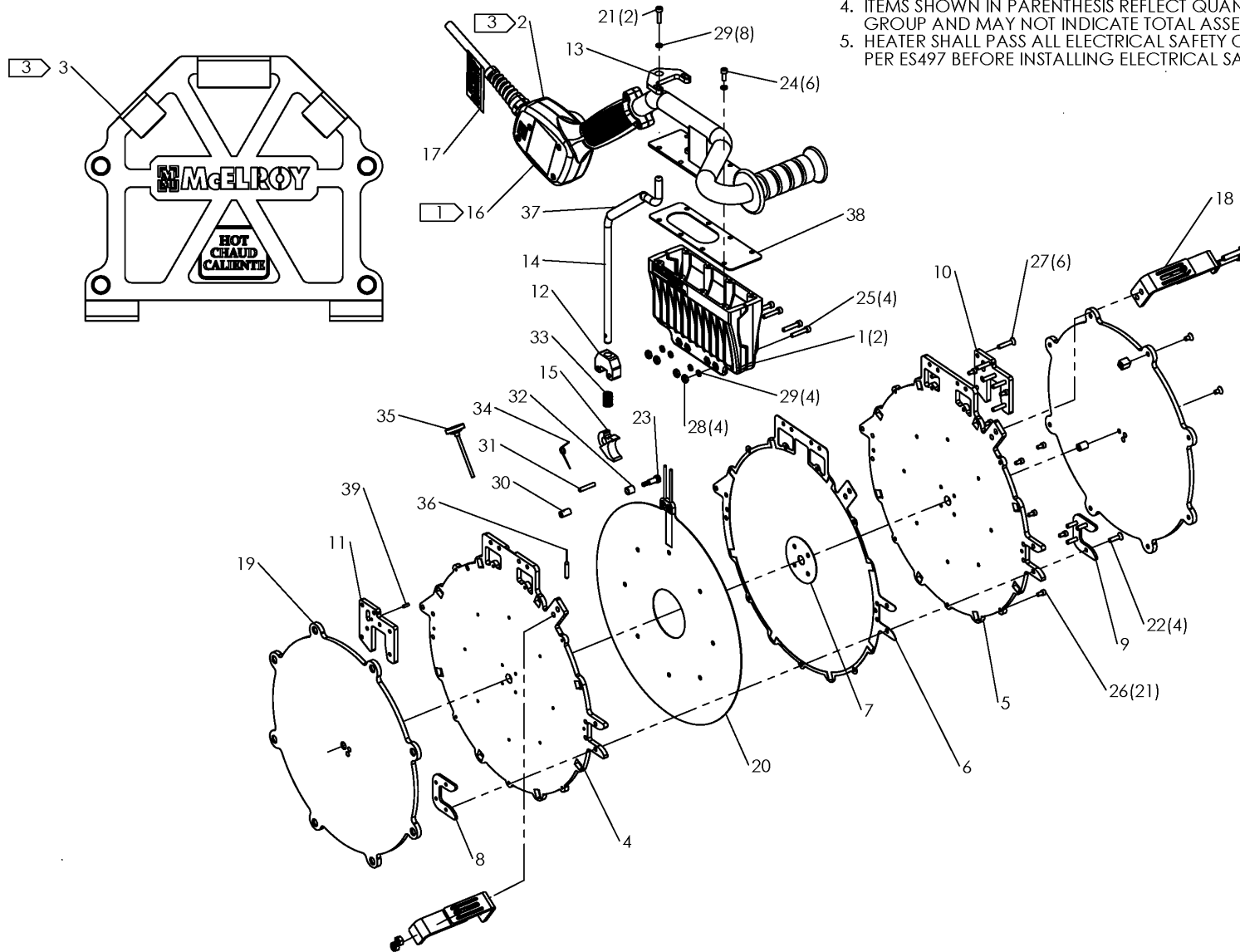
PART No: 2500701

ACROBAT 250 HEATER ASSEMBLY 110-120V, 50/60Hz 1Ph

NOTE: THIS DRAWING AND THE INFORMATION CONTAINED THEREIN IS THE CONFIDENTIAL AND PROPRIETARY PROPERTY OF McElroy Manufacturing, Inc. THE DRAWING IS NOT TO BE REPRODUCED IN ANY MANNER, SUBMITTED TO OUTSIDE PARTIES FOR EXAMINATION, OR USED DIRECTLY OR INDIRECTLY FOR THE PURPOSES OTHER THAN THOSE FOR WHICH IT WAS FURNISHED WITHOUT WRITTEN PERMISSION OF McElroy Manufacturing, Inc.

NOTES:

1. ITEM 16 SHOULD BE ORIENTED THE SAME AS THE MMI LOGO.
2. SET AND CHECK TEMPERATURE PER ES390.
3. THESE ITEMS ARE SUB-ASSEMBLIES ON SEPARATE DRAWINGS.
4. ITEMS SHOWN IN PARENTHESIS REFLECT QUANTITIES IN A LOCAL GROUP AND MAY NOT INDICATE TOTAL ASSEMBLY QUANTITIES.
5. HEATER SHALL PASS ALL ELECTRICAL SAFETY COMPLIANCE TESTS PER ES497 BEFORE INSTALLING ELECTRICAL SAFETY TEST LABEL.



McElroy Manufacturing Parts List

Part Number: 2500701 Obsolete & Replaced by 2512501 (Acrobat 250mm Heater Assembly 110-120V, 50/60Hz, 1Ph) ((7/2015-7/2021))



Acrobat 250mm 120v heater assy

Part Number 2500701 Component List

Item	Component	Description	Quantity	Unit	Price
1	1863102	Htr Terminal Enclosure Half	2.0	EA	53.85
2	2500801	Acrobat 250mm Heater Handle/Controller Assembly	1.0	EA	0.00
3	2501001	Heater Bag Assembly	1.0	EA	722.00
4	2505001	Tapped Heater Body	1.0	EA	766.00
5	2505002	C' Sunk Heater Body	1.0	EA	772.00
6	2505101	Outer Shim	1.0	EA	220.00
7	2505102	Inner Shim	1.0	EA	54.08
8	2505201	Tapped Guide Rod Bracket	1.0	EA	102.00
9	2505202	C'sunk Guide Rod Bracket	1.0	EA	94.08
10	2509201	Drilled Latch Side Plate	1.0	EA	178.00
11	2509202	Tapped Latch Side Plate	1.0	EA	174.00
12	2509301	Upper Spring Stop	1.0	EA	131.00
13	2509401	Latch Handle Catch	1.0	EA	60.26
14	2509501	Latch Handle	1.0	EA	170.00
15	2509601	Latch Tumbler	1.0	EA	429.00
16	8163286	Model 2500701 Part NO Label	1.0	EA	24.53
17	8163210	Electrical Safety Test Label	1.0	EA	0.00
18	A2504501	Acrobat 250 Stripper Bar Kit	1.0	EA	169.00

McElroy Manufacturing Parts List

Part Number: 2500701 Obsolete & Replaced by 2512501 (Acrobat 250mm Heater Assembly 110-120V, 50/60Hz, 1Ph) ((7/2015-7/2021))

19	A2504901	Acrobat 250 Heater Butt Plate Kit	1.0 EA	600.00
20	T2514101	120V Mica/foil Heater Element	1.0 EA	756.00
21	MAC00038	#10-24NCX3/4LG Shcs SS	2.0 EA	0.50
22	MAN00036	#10-32NFX7/8LG Fhscs SS	4.0 EA	0.41
23	MAF00005	1/4DIAX1LG Skt HD Shldr Scr PL (Effective to 1/18/16)	1.0 EA	2.67
23	MAF00002	1/4DIAX1/2LG Skt HD Shldr Scr	1.0 EA	3.30
24	MAH00046	#10-24NCX1/2LG Shcs SS	6.0 EA	0.39
25	MAN00008	#10-24NCX1LG Shcs SS	4.0 EA	0.49
26	MAN00023	#8-32NCX5/16LG Shcs SS	21.0 EA	0.49
27	MAN00047	#10-24NCX1LG Fhscs SS	6.0 EA	0.49
28	MBA00004	#10-24NC Hex Nut Stl PL	4.0 EA	0.35
29	MBE00004	#10 Reg Splt Lck Washer Stl PL	12.0 EA	0.10
30	MBH00135	Unthrd Stainless Steel Spacer	1.0 EA	13.47
31	MCG00005	3/16 DIAX1LG Roll Pin	1.0 EA	0.12
32	MDM00519	Sleeve Bushing	1.0 EA	3.14
33	MJE00069	Compression Spring	1.0 EA	6.35
34	MJE00070	Torsion Spring (Effective to 7/19/16)	1.0 EA	3.99
34	2509901	Torsion Spring Mod	1.0 EA	12.21
35	MJK00002	2.5LG,150-650DEG F Thermometer	1.0 EA	48.72
36	MKI00003	1X3/16 316SS 100OHM Plat Rtd	1.0 EA	64.04
37	2509701	Grip Mod	1.0 EA	5.07
38	1808102	Htr Gasket	1.0 EA	5.26
39	MCG00003	1/8DIAX1/2LG Roll Pin	1.0 EA	0.27

Please visit <https://fusion.mcelroy.com/parts> to purchase parts or for more information.