



McElroy Manufacturing, Inc.
The leader by design.
Tulsa, Oklahoma U.S.A.

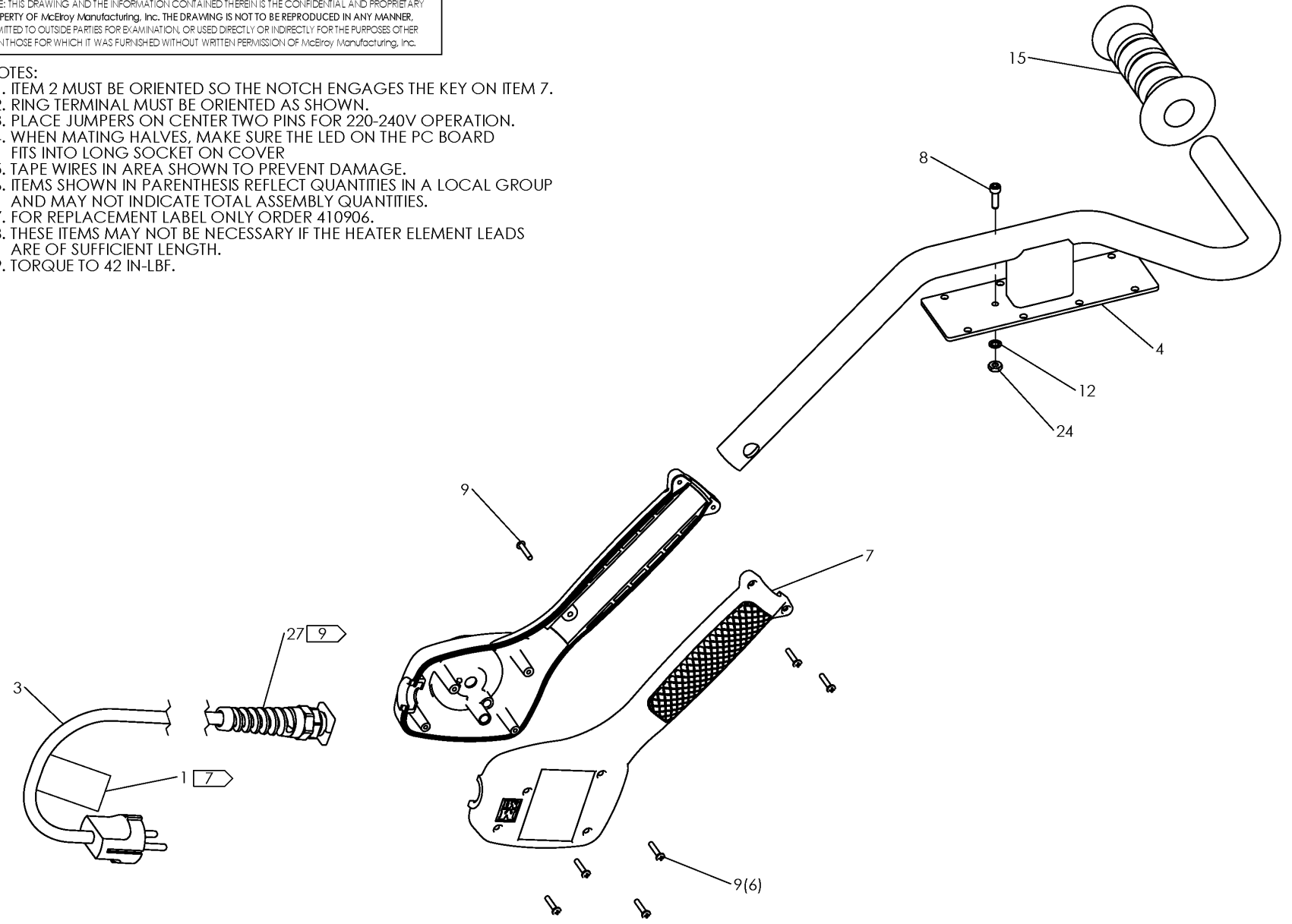
DRAWN: MRH CHECK: JBC APPRVD: BWJ DATE: 1/30/17 SHT No: 3A REV No: B PART No: 2500803

Acrobat™ 250mm HEATER HANDLE/CONTROLLER ASSEMBLY 220/240V, 50/60Hz, 1Ph W/ CEE 7/7 PLUG

NOTE: THIS DRAWING AND THE INFORMATION CONTAINED THEREIN IS THE CONFIDENTIAL AND PROPRIETARY PROPERTY OF McElroy Manufacturing, Inc. THE DRAWING IS NOT TO BE REPRODUCED IN ANY MANNER, SUBMITTED TO OUTSIDE PARTIES FOR EXAMINATION, OR USED DIRECTLY OR INDIRECTLY FOR THE PURPOSES OTHER THAN THOSE FOR WHICH IT WAS FURNISHED WITHOUT WRITTEN PERMISSION OF McElroy Manufacturing, Inc.

NOTES:

1. ITEM 2 MUST BE ORIENTED SO THE NOTCH ENGAGES THE KEY ON ITEM 7.
2. RING TERMINAL MUST BE ORIENTED AS SHOWN.
3. PLACE JUMPERS ON CENTER TWO PINS FOR 220-240V OPERATION.
4. WHEN MATING HALVES, MAKE SURE THE LED ON THE PC BOARD FITS INTO LONG SOCKET ON COVER
5. TAPE WIRES IN AREA SHOWN TO PREVENT DAMAGE.
6. ITEMS SHOWN IN PARENTHESIS REFLECT QUANTITIES IN A LOCAL GROUP AND MAY NOT INDICATE TOTAL ASSEMBLY QUANTITIES.
7. FOR REPLACEMENT LABEL ONLY ORDER 410906.
8. THESE ITEMS MAY NOT BE NECESSARY IF THE HEATER ELEMENT LEADS ARE OF SUFFICIENT LENGTH.
9. TORQUE TO 42 IN-LBF.

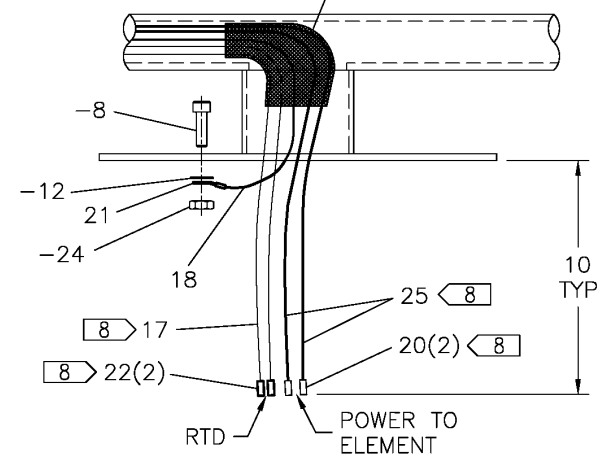
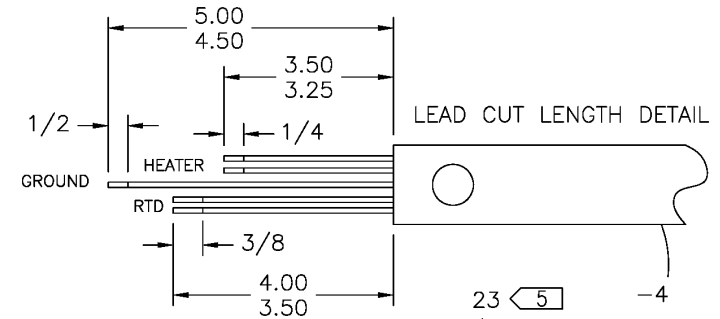
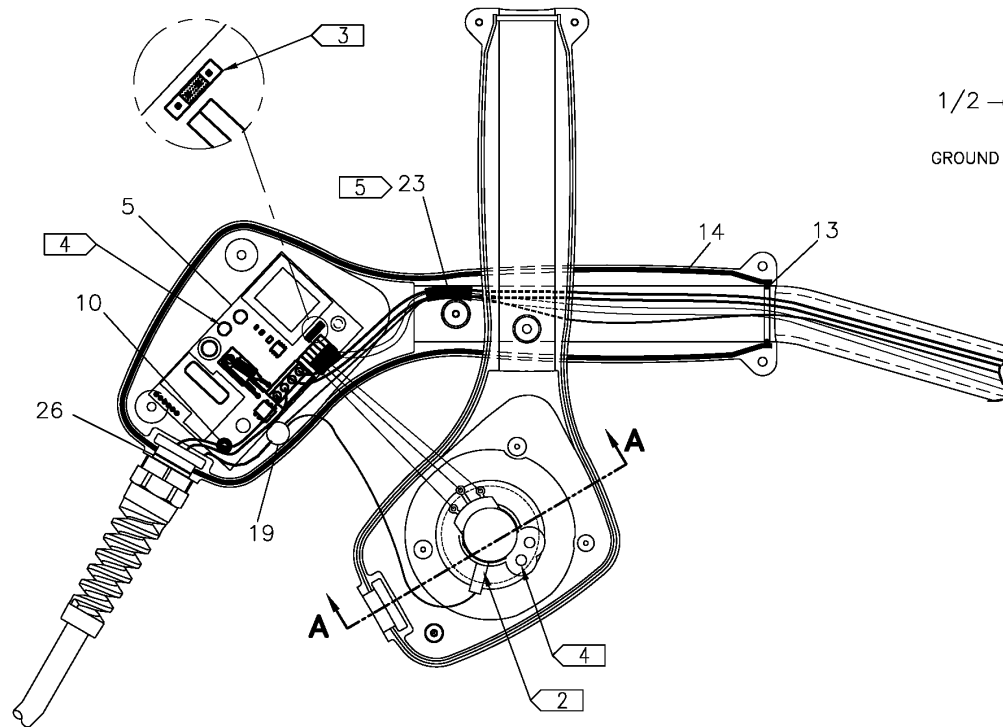
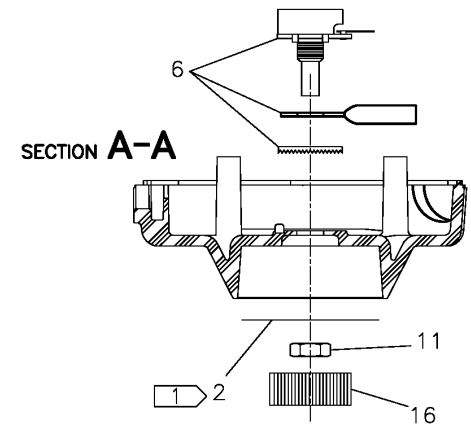
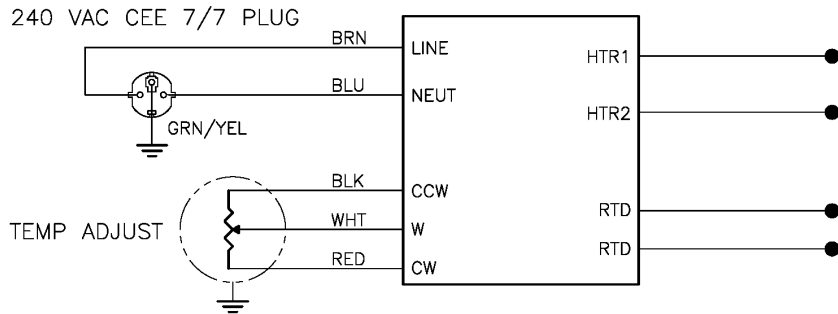




McElroy Manufacturing, Inc.
The leader by design.
Tulsa, Oklahoma U.S.A.

DRAWN: MRH CHECK: JBC APPRVD: BWJ DATE: 1/30/17 SHT No: 3B REV No: B PART No: 2500803
Acrobat™ 250mm HEATER HANDLE/CONTROLLER ASSEMBLY 220-240V, 50/60Hz, 1Ph W/ CEE 7/7 PLUG

NOTE: THIS DRAWING AND THE INFORMATION CONTAINED THEREIN IS THE CONFIDENTIAL AND PROPRIETARY PROPERTY OF McElroy Manufacturing, Inc. THE DRAWING IS NOT TO BE REPRODUCED IN ANY MANNER, SUBMITTED OUTSIDE PARTIES FOR EXAMINATION, OR USED DIRECTLY OR INDIRECTLY FOR THE PURPOSES OTHER THAN THOSE FOR WHICH IT WAS FURNISHED WITHOUT WRITTEN PERMISSION OF McElroy Manufacturing, Inc.



McElroy Manufacturing Parts List

Part Number: 2500803 Acrobat 250mm 240V Heater Handle/Controller Assembly w/ CEE 7/7 Plug (220-240V, 50/60Hz, 1Ph)

Part Number 2500803 Component List

Item	Component	Description	Quantity	Unit	Price
1	410906	Dng Not Expln Proof Tag Label	1.0	EA	4.20
2	816382	Temperature Scale Label	1.0	EA	7.33
3	718501	Replaced by A718502 (Effective to 8/8/17)	1.0	EA	0.00
3	718502	16A, 250V Power Cord Assembly with CEE 7/7 Plug	1.0	EA	126.00
4	2508901	Heater Handle Wld	1.0	EA	332.00
5	T5030001	Heater Control Pcb Assy	1.0	EA	156.00
6	T5030002	Potentiometer Assy	1.0	EA	15.05
7	T5030103	Heater Handle/enclosure	1.0	EA	25.00
8	MAN00083	#10-24NCX5/8LG Shcs SS	1.0	EA	0.39
9	MAL00010	#6-19X3/4LG Torx T15 Pan Hdscr	7.0	EA	0.56
10	MAL00011	#6-19X1/4LG Torx T15 Pan Hdscr	1.0	EA	0.66
11	MBA00067	3/8-32NEF X 0.22 X 1/4 Sealnut	1.0	EA	6.22
12	MBG00072	#10 Int Tooth Lock Washer	1.0	EA	0.29
13	MDL00018	O-ring	1.0	EA	0.61
14	MDL00243	.070DIA Buna-n O-ring Stock	2.167	FT	1.03
15	MJJ00009	1" Black Gloss Hand Grip	1.0	EA	3.86
16	MJJ00023	Control Knob	1.0	EA	5.24
17	MLL00116	#22 Type Tggt Elec Wire	5.0	FT	2.63
18	MLL00215	#14 Type Tggt Wire, Green/yel	2.0	FT	2.62
19	MLM00010	2/12-4/18 Closed End Splice	1.0	EA	1.20
20	MLM00012	14-16 Hi-temp Butt Splice	2.0	EA	0.42
21	MLM00013	14-16 X #10 Hi-temp Ring Term	1.0	EA	1.18
22	MLM00040	18-22 Hi-temp Butt Splice	2.0	EA	1.04
23	MLN00219	Fiberglass Tape (per Ft)	0.666	FT	0.56
24	MBC00004	#10-24NC Mach Scr Nyl Lck Nut	1.0	EA	0.31
25	MLL00020	#14 Type Tggt Wire	5.0	FT	2.48
26	MDL00248	O-ring	1.0	EA	0.30
27	434302	Power Cord Strain Relief	1.0	EA	14.35

Please visit <https://fusion.mcelroy.com/parts> to purchase parts or for more information.