



McElroy Manufacturing, Inc.
The leader by design.
Tulsa, Oklahoma U.S.A.

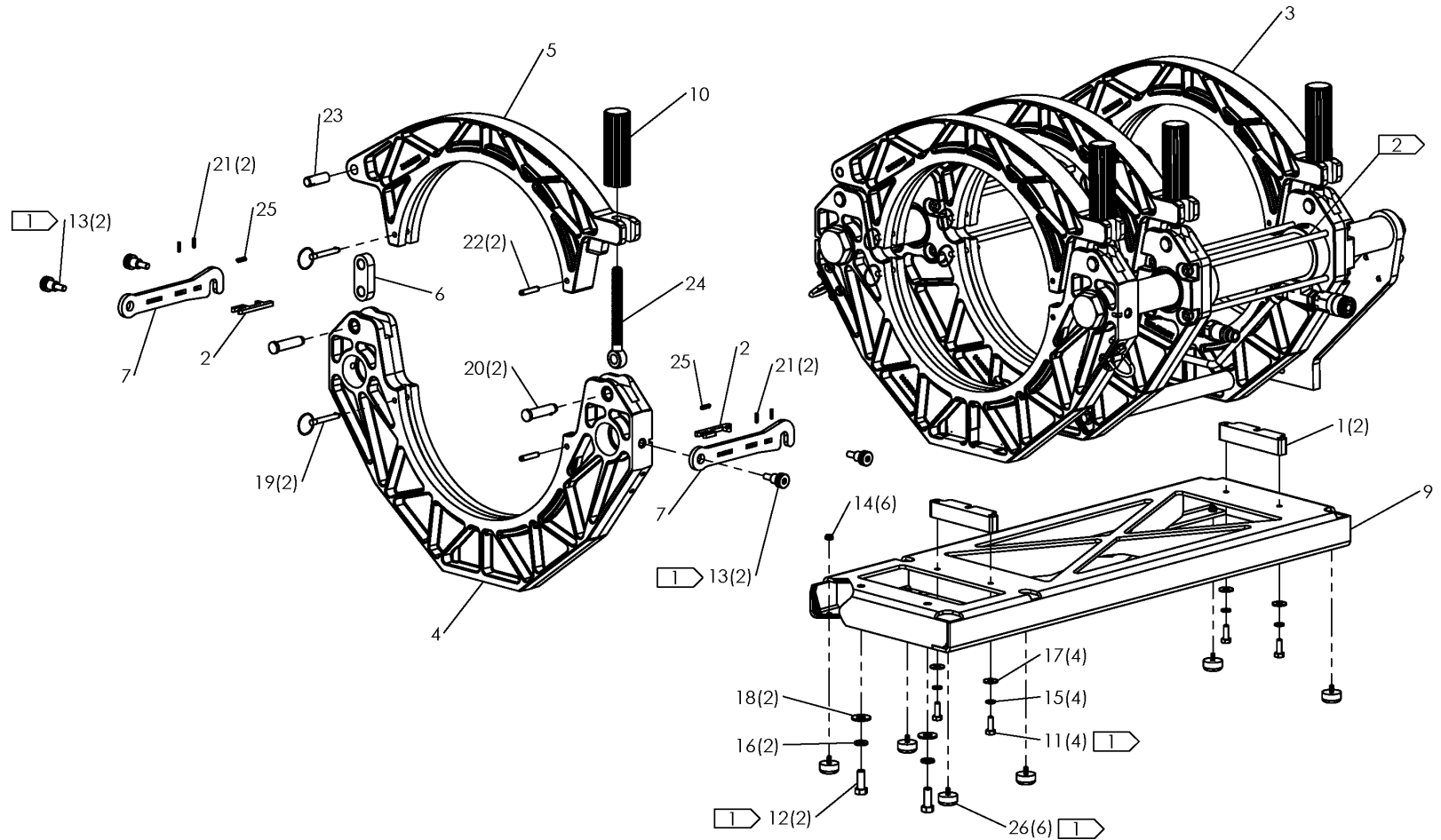
DRAWN: HECK CHECK: RJK APPRVD: PJD DATE: 3/20/17 SHT No: 1 REV No: C PART No: 31500101

Acrobat™ 315mm CARRIAGE ASSEMBLY

NOTE: THIS DRAWING AND THE INFORMATION CONTAINED THEREIN IS THE CONFIDENTIAL AND PROPRIETARY PROPERTY OF McElroy Manufacturing, Inc. THE DRAWING IS NOT TO BE REPRODUCED IN ANY MANNER, SUBMITTED TO OUTSIDE PARTIES FOR EXAMINATION, OR USED DIRECTLY OR INDIRECTLY FOR THE PURPOSES OTHER THAN THOSE FOR WHICH IT WAS FURNISHED WITHOUT WRITTEN PERMISSION OF McElroy Manufacturing, Inc.

NOTES:

1. INSTALL WITH MEDIUM STRENGTH THREADED LOCKER.
2. FILL WITH VG-46 HYDRAULIC OIL.



McElroy Manufacturing Parts List

Part Number: 31500101 Acrobat 315mm Carriage Assembly

Part Number 31500101 Component List

Item	Component	Description	Quantity	Unit	Price
1	716004	Attachment Block	2.0	EA	117.00
2	716301	Slide Latch (Effective to 10/31/17)	2.0	EA	16.59
2	31507502	Slide Latch	2.0	EA	38.68
3	31500201	Acrobat 315mm 3 Jaw Assembly	1.0	EA	0.00
4	31503101	Lower Fixed Jaw	1.0	EA	702.00
5	31503201	Upper Jaw	1.0	EA	505.00
6	31503501	Jaw Link	1.0	EA	72.93
7	31507501	Jaw Brace (Effective to 10/31/17)	2.0	EA	0.00
7	31507601	HF Jaw Brace	2.0	EA	106.00
8	31507503	Jaw Brace Spacer (Effective to 9/17/17)	4.0	EA	0.00
9	31508101	Skid Wld	1.0	EA	655.00
10	A829101	Long Clamp Knob Assembly	1.0	EA	92.69
11	MAB00003	1/4-20NCX3/4LG Hhcs	4.0	EA	0.31
12	MAB00064	3/8-16NCX1LG Hhcs	2.0	EA	0.51
13	MAE00054	3/8-16NCX1LG Bhscs (Effective to 9/17/17)	4.0	EA	0.00
13	MAF00087	1/2DIAX1/2LG Skthdshldr Scr PL (Effective 9/18/17 to 10/31/17)	4.0	EA	0.00
13	MAF00091	1/2DIAX5/8LG Skthdshldrscr SS	4.0	EA	18.84
14	MBC00004	#10-24NC Mach Scr Nyl Lck Nut	6.0	EA	0.31
15	MBE00005	1/4 Reg Splt Lck Washer Stl PL	4.0	EA	0.10
16	MBE00007	3/8 Reg Splt Lck Wshr Stl PL	2.0	EA	0.12
17	MBF00005	1/4 TY 'a' Wide FL Wshr Stl PL	4.0	EA	0.11
18	MBF00007	3/8 TY 'a' Wide FL Wshr Stl PL	2.0	EA	0.11
19	MCE00001	1/4DIAX1.60 Grip Detent Pin	2.0	EA	11.36
20	MCF00064	1/2DIAX 2LG Cotterless Clv Pin	2.0	EA	7.00
21	MCG00003	1/8DIAX1/2LG Roll Pin	4.0	EA	0.27
22	MCG00010	1/4DIAX1-1/4LG Roll Pin	2.0	EA	0.95
23	MCK00019	1/2DIAX1-1/2LG Lck Pin Stl PL	1.0	EA	7.81
24	MJB00022	1/2-13 X 5LG Eye Bolt	1.0	EA	32.02
25	MJE00062	3/16 Dia Compression Spring	2.0	EA	9.30
26	MJQ00566	1" Bumper 10-24 Stud	6.0	EA	3.71

Please visit <https://fusion.mcelroy.com/parts> to purchase parts or for more information.