



McElroy Manufacturing, Inc.
The leader by design.
Tulsa, Oklahoma U.S.A.

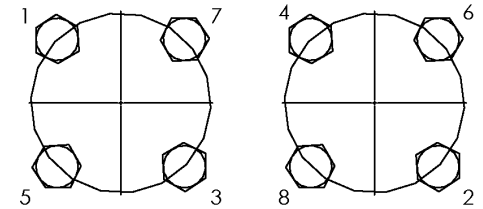
DRAWN: HECK	CHECK: RJK	APPRVD: PJD	DATE: 3/20/17	SHT No: 1	REV No: C	PART No: 31500201
-------------	------------	-------------	---------------	-----------	-----------	-------------------

Acrobat™ 315mm 3 JAW ASSEMBLY

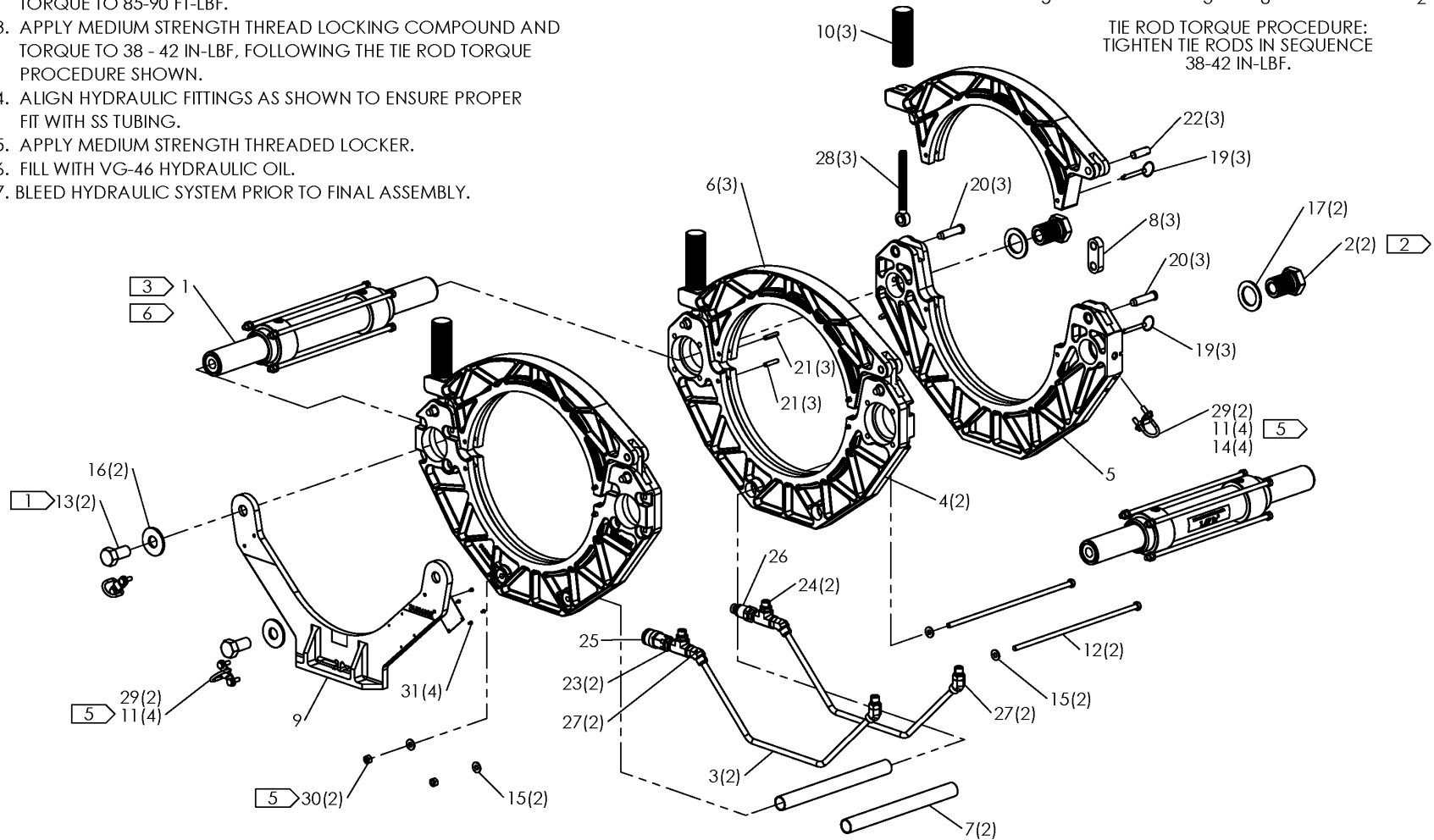
NOTE: THIS DRAWING AND THE INFORMATION CONTAINED THEREIN IS THE CONFIDENTIAL AND PROPRIETARY PROPERTY OF McElroy Manufacturing, Inc. THE DRAWING IS NOT TO BE REPRODUCED IN ANY MANNER, SUBMITTED TO OUTSIDE PARTIES FOR EXAMINATION, OR USED DIRECTLY OR INDIRECTLY FOR THE PURPOSES OTHER THAN THOSE FOR WHICH IT WAS FURNISHED WITHOUT WRITTEN PERMISSION OF McElroy Manufacturing, Inc.

NOTES:

1. APPLY MEDIUM STRENGTH THREAD LOCKING COMPOUND AND TORQUE TO 50-55 FT-LBF.
2. APPLY MEDIUM STRENGTH THREAD LOCKING COMPOUND AND TORQUE TO 85-90 FT-LBF.
3. APPLY MEDIUM STRENGTH THREAD LOCKING COMPOUND AND TORQUE TO 38 - 42 IN-LBF, FOLLOWING THE TIE ROD TORQUE PROCEDURE SHOWN.
4. ALIGN HYDRAULIC FITTINGS AS SHOWN TO ENSURE PROPER FIT WITH SS TUBING.
5. APPLY MEDIUM STRENGTH THREADED LOCKER.
6. FILL WITH VG-46 HYDRAULIC OIL.
7. BLEED HYDRAULIC SYSTEM PRIOR TO FINAL ASSEMBLY.



TIE ROD TORQUE PROCEDURE:
TIGHTEN TIE RODS IN SEQUENCE
38-42 IN-LBF.



McElroy Manufacturing Parts List

Part Number: 31500201 Acrobat 315mm 3 Jaw Assembly

Part Number 31500201 Component List

Item	Component	Description	Quantity	Unit	Price
1	31500301	Acrobat 315mm Cylinder Set Assembly	1.0	EA	0.00
2	31502501	Mounting Bolt	2.0	EA	0.00
3	31502601	Hyd Cyl Connect Tube	2.0	EA	97.56
4	31503001	Lower Movable Jaw	2.0	EA	699.00
5	31503101	Lower Fixed Jaw	1.0	EA	702.00
6	31503201	Upper Jaw	3.0	EA	505.00
7	31503401	Moveable Jaw Spacer Tube	2.0	EA	0.00
8	31503501	Jaw Link	3.0	EA	72.93
9	31506102	Guide Rod Support Plate	1.0	EA	381.00
10	A829101	Long Clamp Knob Assembly	3.0	EA	92.69
11	MAB00003	1/4-20NCX3/4LG Hhcs	8.0	EA	0.31
12	MAB00006	1/4-20NCX1-1/2LG Hhcs (Effective to 9/17/19)	4.0	EA	0.46
12	MAB00255	5/16-18NCX12LG Hhcs GR8	2.0	EA	0.00
13	MAB00091	3/4-10NCX1-1/2LG Hhcs	2.0	EA	3.16
14	MBA00005	1/4-20NC Fnsh Hex Nut Stl PL	4.0	EA	0.32
15	MBF00005	1/4 TY 'a' Wide FL Wshr Stl PL	4.0	EA	0.11
16	MBF00024	3/4" Uss Hardened Flat Washer	2.0	EA	0.00
17	MBF00039	1-3/8 Flat Washer Stl PL	2.0	EA	0.00
18	MBH00143	.870-.902" ID X 1/4-20 Tube Nut (Effective to 9/17/19)	4.0	EA	0.00
19	MCE00001	1/4DIAX1.60 Grip Detent Pin	6.0	EA	11.36
20	MCF00064	1/2DIAX 2LG Cotterless Clv Pin	6.0	EA	7.00
21	MCG00010	1/4DIAX1-1/4LG Roll Pin	6.0	EA	0.95
22	MCK00019	1/2DIAX1-1/2LG Lck Pin Stl PL	3.0	EA	7.81
23	MFC00134	6MSAE/6MSAE Adapter	2.0	EA	24.90
24	MFC00155	6FSAE/6MSAE/6FSAE Branch Tee	2.0	EA	0.00
25	MFH00062	3/8 Fsae Quick Disc Coupler	1.0	EA	210.00
26	MFH00063	3/8 Fsae Quick Disc Nipple	1.0	EA	100.00
27	MFQ00010	6MSL/6MSAE Elbow 45	4.0	EA	25.44
28	MJB00022	1/2-13 X 5LG Eye Bolt	3.0	EA	32.02
29	MJD00078	1" X 800LB Mntg Ring SS	4.0	EA	0.00
30	MBA00006	5/16-18NC Fnsh Hex Nut Stl PL	2.0	EA	0.33
31	MAH00093	#4-40NCX3/16LG Lock Scr	4.0	EA	0.32

Please visit <https://fusion.mcelroy.com/parts> to purchase parts or for more information.