



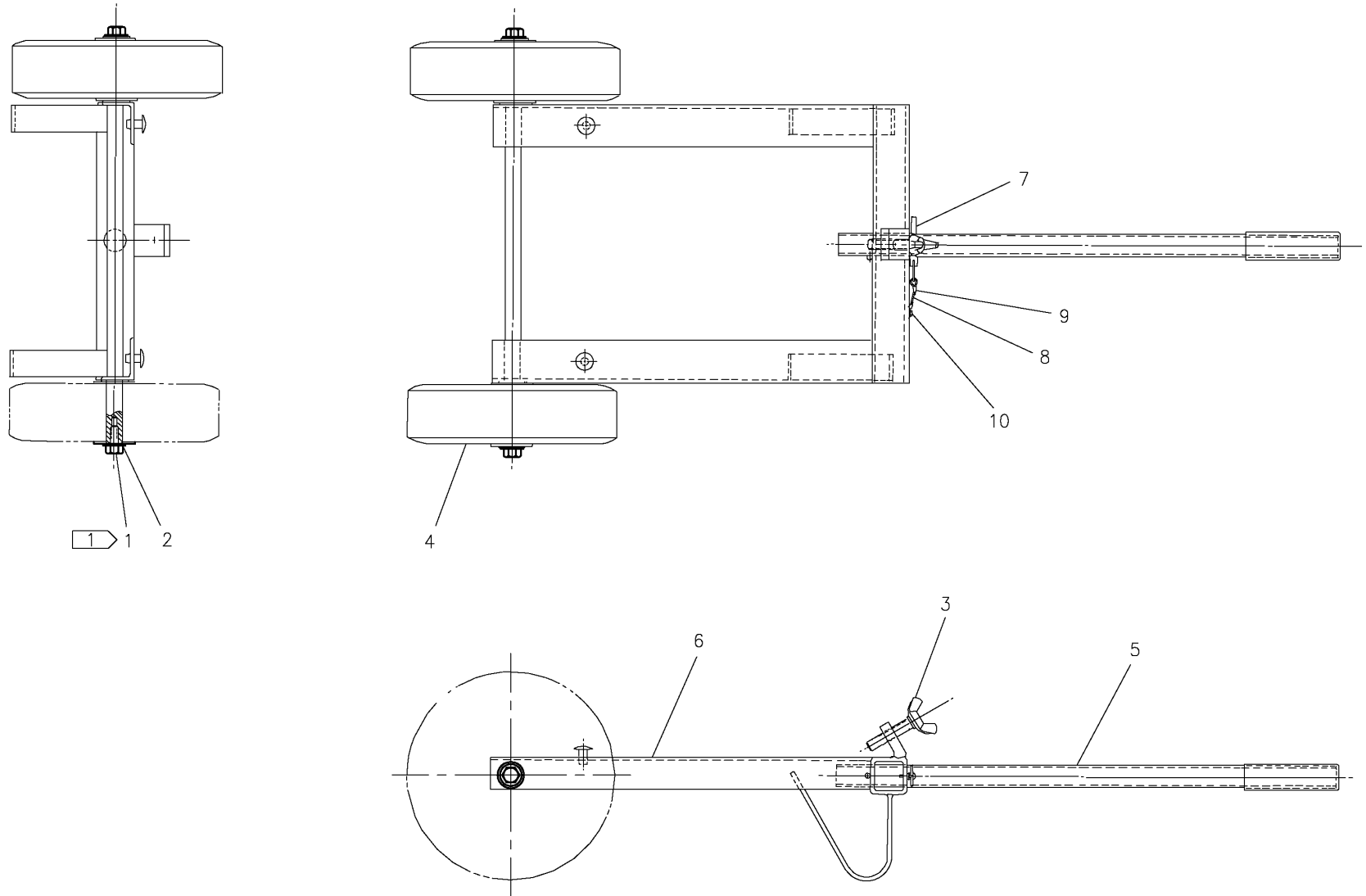
McElroy Manufacturing, Inc.
The leader by design.
Tulsa, Oklahoma U.S.A.

DRAWN: TLW CHECK: BWP APPRV'D: B DATE: 5/17/95 DWG No: 421100 SHT No: 1 REV No: F PART No: 421101

#14 2-WHEEL CART ASSEMBLY CAD No: 421101

NOTE: THIS DRAWING AND THE INFORMATION CONTAINED THEREIN IS THE CONFIDENTIAL AND PROPRIETARY PROPERTY OF McElroy Manufacturing, Inc. THE DRAWING IS NOT TO BE REPRODUCED IN ANY MANNER, SUBMITTED OUTSIDE PARTIES FOR EXAMINATION, OR USED DIRECTLY OR INDIRECTLY FOR THE PURPOSES OTHER THAN THOSE FOR WHICH IT WAS FURNISHED WITHOUT WRITTEN PERMISSION OF McElroy Manufacturing, Inc.

NOTES:
1. INSTALL WITH THREAD LOCKING COMPOUND



McElroy Manufacturing Parts List

Part Number: 421101 No. 14 2-Wheel Cart Assembly

Part Number 421101 Component List

Item	Component	Description	Quantity	Unit	Price
1	MAB00063	3/8-16NCX3/4LG Hhcs	2.0	EA	0.40
2	MBF00007	3/8 TY 'a' Wide FL Wshr Stil PL	2.0	EA	0.11
3	MAH00031	1/2-13NCX2-1/2LG Wing Head	1.0	EA	20.62
4	MIA00001	Replaced by A441001	2.0	EA	0.00
5	402803	24LG Lever Handle Assy W/hole	1.0	EA	0.00
6	421102	Compact Cart Weldment	1.0	EA	0.00
7	MCE00001	1/4DIAX1.60 Grip Detent Pin	1.0	EA	11.36
8	MJQ00025	.045 Dia Coated Cable	0.333	FT	1.12
9	MJQ00046	Ferrule	2.0	EA	1.02
10	MAH00036	#6-32NCX3/8LG Hwh TC Scr	1.0	EA	0.29

Please visit <https://fusion.mcelroy.com/parts> to purchase parts or for more information.

