

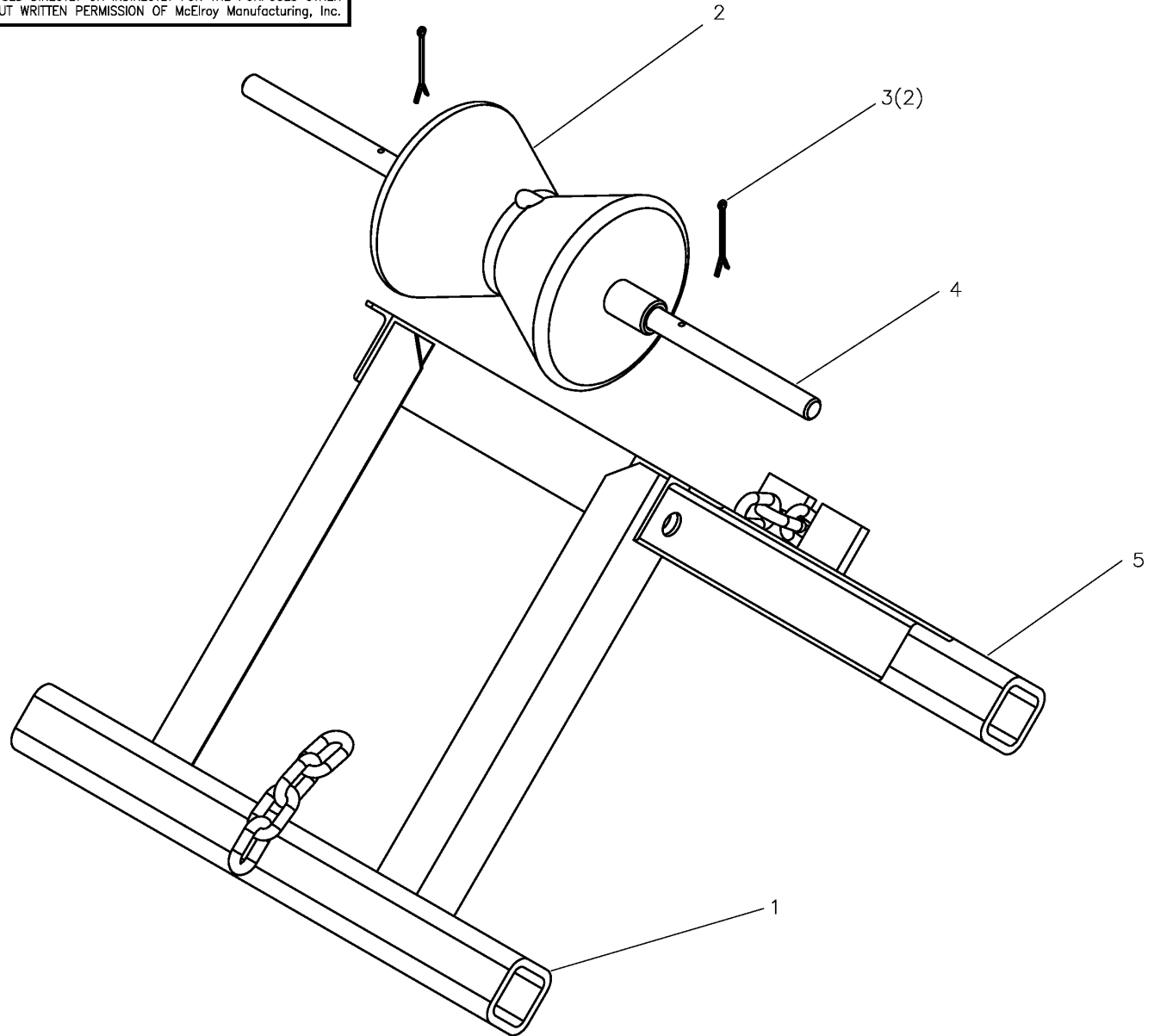


McElroy Manufacturing, Inc.
The leader by design.
Tulsa, Oklahoma U.S.A.

DRAWN: TLW	CHECK: BWP	APPRV'D: B	DATE: 5/17/95	SHT No: 1	REV No: B	PART No: 422801
------------	------------	------------	---------------	-----------	-----------	-----------------

#14 PIPE STAND ASSEMBLY

NOTE: THIS DRAWING AND THE INFORMATION CONTAINED THEREIN IS THE CONFIDENTIAL AND PROPRIETARY PROPERTY OF McElroy Manufacturing, Inc. THE DRAWING IS NOT TO BE REPRODUCED IN ANY MANNER, SUBMITTED OUTSIDE PARTIES FOR EXAMINATION, OR USED DIRECTLY OR INDIRECTLY FOR THE PURPOSES OTHER THAN THOSE FOR WHICH IT WAS FURNISHED WITHOUT WRITTEN PERMISSION OF McElroy Manufacturing, Inc.



McElroy Manufacturing Parts List

Part Number: 422801 14 Pipe Stand Assembly

Part Number 422801 Component List

Item	Component	Description	Quantity	Unit	Price
1	422901	14 Pipe Stand Inner Leg	1.0	EA	0.00
2	812401	Pipe Stand Roller Assy	1.0	EA	323.00
3	MCH00004	1/8DIA X 1-1/4LG Cotter Pin	2.0	EA	0.12
4	812601	Pipe Roller Shaft	1.0	EA	73.81
5	423001	14 Pipe Stand Outer Leg	1.0	EA	0.00

Please visit <https://fusion.mcelroy.com/parts> to purchase parts or for more information.

