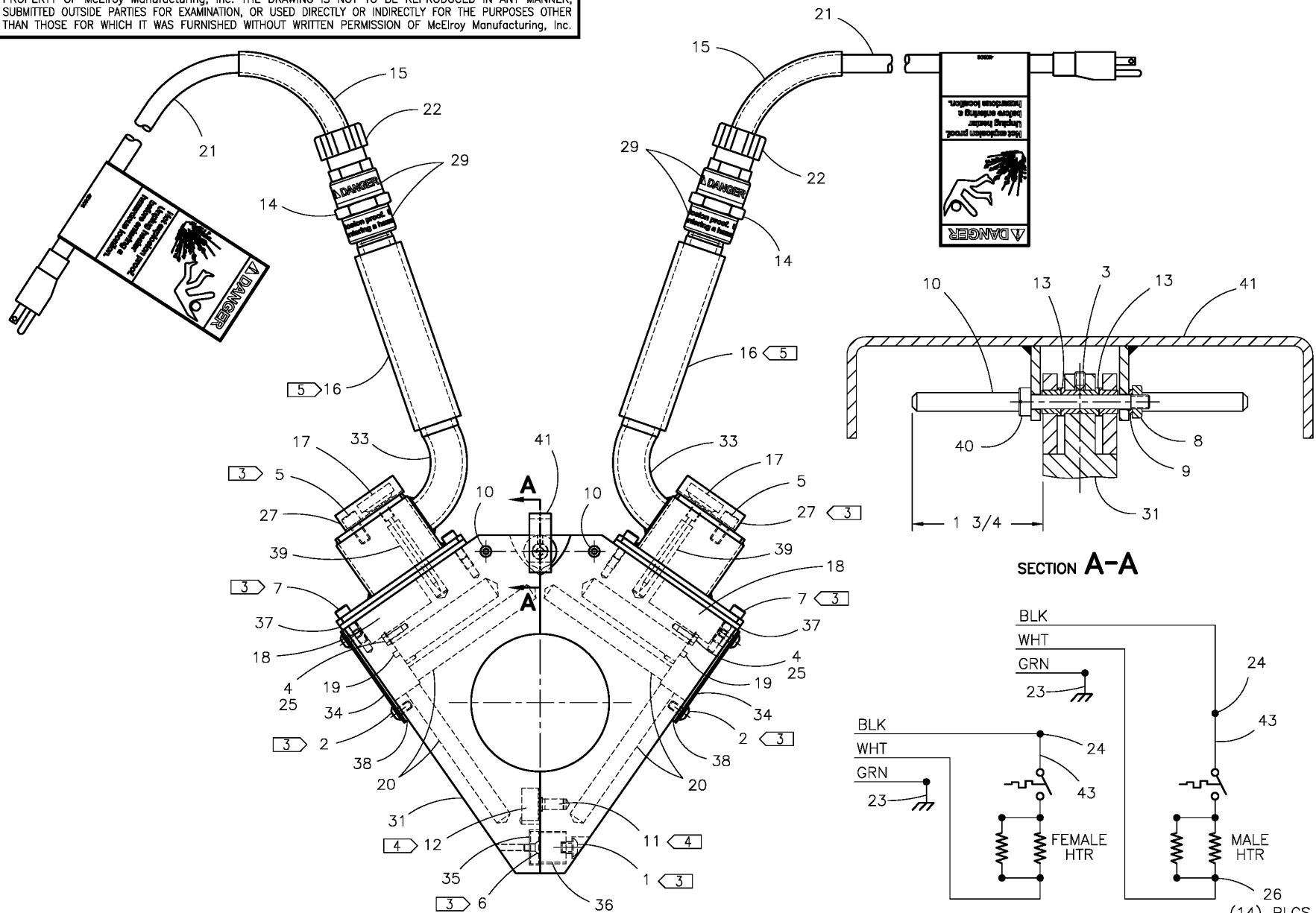




**McElroy Manufacturing, Inc.**  
The leader by design.  
Tulsa, Oklahoma U.S.A.

DRAWN: SS	CHECK: BWP	APPRV'D: JRP	DATE: 8/01/97	DWG No: 425600	SHT No: 1	REV No: F	PART No: 425601
2 x 4 SPLIT HEATER ASSEMBLY 120V, 50/60Hz, 1Ph							CAD No: 425601

NOTE: THIS DRAWING AND THE INFORMATION CONTAINED THEREIN IS THE CONFIDENTIAL AND PROPRIETARY PROPERTY OF McElroy Manufacturing, Inc. THE DRAWING IS NOT TO BE REPRODUCED IN ANY MANNER, SUBMITTED OUTSIDE PARTIES FOR EXAMINATION, OR USED DIRECTLY OR INDIRECTLY FOR THE PURPOSES OTHER THAN THOSE FOR WHICH IT WAS FURNISHED WITHOUT WRITTEN PERMISSION OF McElroy Manufacturing, Inc.



## McElroy Manufacturing Parts List

**Part Number:** 425601 2X4 Split Heater Assembly

**Part Number 425601 Component List**

Item	Component	Description	Quantity	Unit	Price
1	MAH00169	1/4-20NCX1/4LG Bhscs SS	1.0	EA	0.00
2	MAH00170	#10-32NFX3/8LG Bhscs SS	4.0	EA	0.39
3	MAG00031	#6-32NCX1/4LG Skt Set Scr	1.0	EA	0.00
4	MAH00036	#6-32NCX3/8LG Hwh TC Scr	2.0	EA	0.29
5	MAH00050	1/4-20NCX1/2LG Shcs SS	2.0	EA	0.52
6	MAH00074	#8-32NCX3/8LG Fhscs SS	1.0	EA	0.29
7	MAH00081	#10-32NFX1/2LG Shcs SS	8.0	EA	0.49
8	MBA00024	#10-32NF Hex Nut Stl PL	1.0	EA	0.06
9	MBE00004	#10 Reg Splt Lck Washer Stl PL	1.0	EA	0.10
10	425501	Htr Support Pin	2.0	EA	0.00
13	MDM00173	Flange Bushing	4.0	EA	0.00
14	MFA00126	8FPT/8FPT Coupling	2.0	EA	0.00
15	MHA00009	3/8ID X 9/16OD Rubber Tubing	0.5	FT	4.28
16	MHA00019	3/4 IDX1/8 Wall Silicon Tubing	2.0	FT	0.00
17	MJK00002	2.5LG,150-650DEG F Thermometer	2.0	EA	48.72
18	MJQ00026	Ferrule	4.0	EA	1.01
19	MLC00011	#TEV01402 100-500F Temp Switch	2.0	EA	0.00
20	MLD00048	120V, 200W, 3/8 X 3 Crtg Htr	4.0	EA	0.00
21	MLE00017	Replaced by 434202 OR A434202 (Effective 9/13/90 to 5/10/18)	2.0	EA	0.00
21	434202	13AMP/120V Power Cord	2.0	EA	45.10
22	MLK00007	Strain Relief Connector	2.0	EA	14.66
23	MLL00214	#18 Type Tggt Wire, Green/yel	0.5	FT	1.78
24	MLM00003	14-16 Butt Splice	6.0	EA	0.42
25	MLM00004	18-22 X #6 Ring Term, Non-insu	2.0	EA	1.03
26	MLW00002	0.133ID Fiberglas Sleeve(roll)	1.333	FT	2.08
27	214801	Mlmc Thermal Guard	2.0	EA	7.54
28	223901	Heater Tag (Effective 9/7/94 to 3/20/13)	1.0	EA	0.00
29	410903	Danger Not Expln Proof Label	2.0	EA	2.60
30	410906	Dng Not Expln Proof Tag Label (Effective 9/4/97 to 5/10/18)	2.0	EA	4.20
31	A425620	2X4 Split Heater Body Set	1.0	ST	0.00
33	425604	Split Htr Handle Bracket Wld	2.0	EA	0.00
34	425605	Split Htr Cover Plate	2.0	EA	0.00
35	425607	Split Htr Magnetic Catch	1.0	EA	0.00
36	425608	Split Htr Magnet Mod	1.0	EA	0.00
37	425609	Split Htr Gasket	2.0	EA	0.00
38	425610	Split Htr Gasket	2.0	EA	0.00
39	425611	Split Htr Therm Heat Sink	2.0	EA	0.00
40	425612	Split Htr Pivot Pin	1.0	EA	0.00
41	425613	Split Htr Stripper Bar Wld	1.0	EA	0.00
42	1243801	Split Heater Operator's Manual	1.0	EA	0.00
43	MLL00004	#18 Type Tggt Elec Wire	2.0	FT	2.60

Please visit <https://fusion.mcelroy.com/parts> to purchase parts or for more information.