



McElroy Manufacturing, Inc.
The leader by design.
Tulsa, Oklahoma U.S.A.

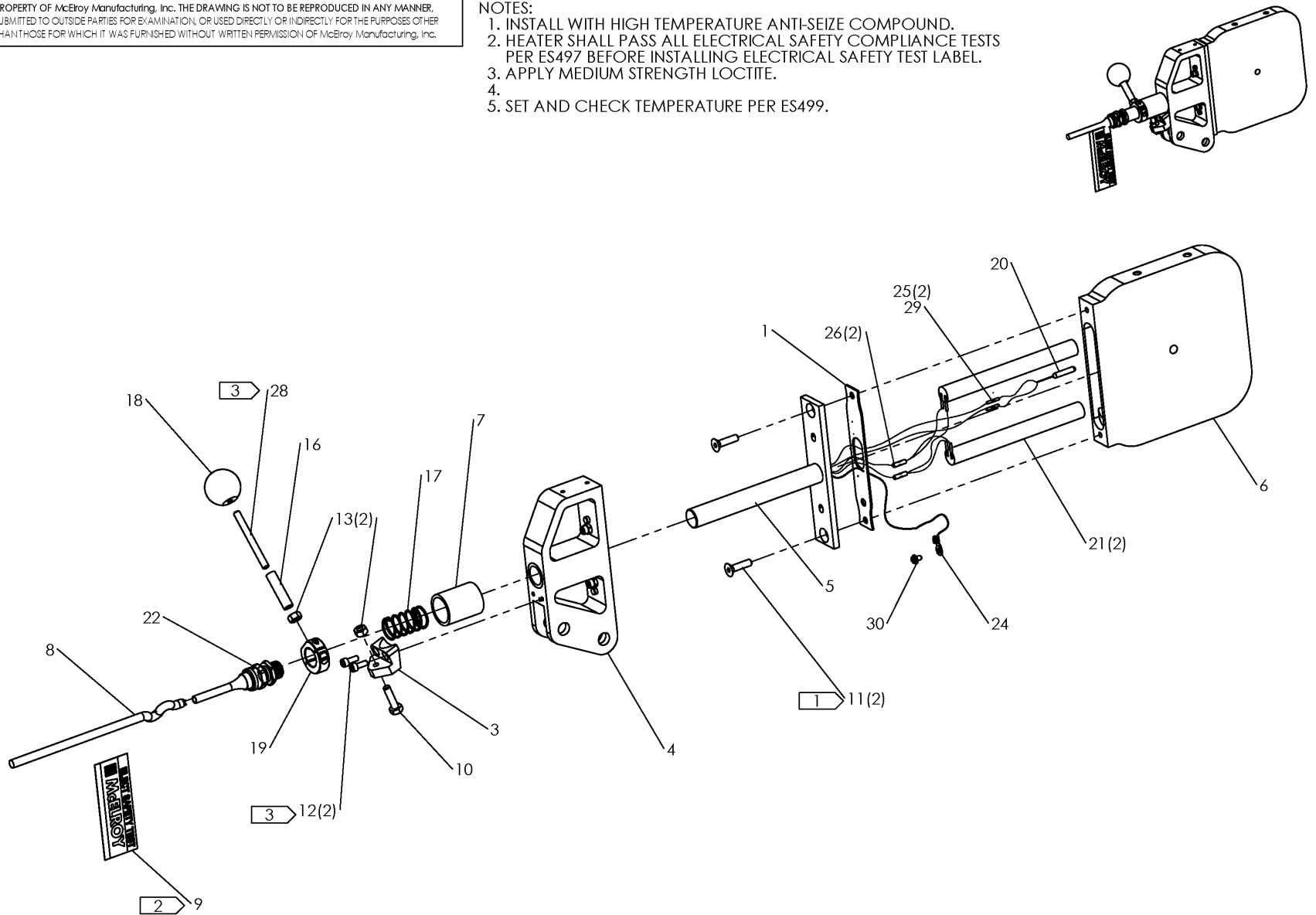
| | | | | | | |
|------------|------------|-------------|---------------|-----------|-----------|-----------------|
| DRAWN: DCG | CHECK: BOC | APPRVD: PJD | DATE: 10/1/15 | SHT No: 1 | REV No: K | PART No: 461301 |
|------------|------------|-------------|---------------|-----------|-----------|-----------------|

SmartFab™ HEATER ASSEMBLY 100-120V, 50/60hz, 1 Ph

NOTE: THIS DRAWING AND THE INFORMATION CONTAINED THEREIN IS THE CONFIDENTIAL AND PROPRIETARY PROPERTY OF McElroy Manufacturing, Inc. THE DRAWING IS NOT TO BE REPRODUCED IN ANY MANNER, SUBMITTED TO OUTSIDE PARTIES FOR EXAMINATION, OR USED DIRECTLY OR INDIRECTLY FOR THE PURPOSES OTHER THAN THOSE FOR WHICH IT WAS FURNISHED WITHOUT WRITTEN PERMISSION OF McElroy Manufacturing, Inc.

NOTES:

1. INSTALL WITH HIGH TEMPERATURE ANTI-SEIZE COMPOUND.
2. HEATER SHALL PASS ALL ELECTRICAL SAFETY COMPLIANCE TESTS PER ES497 BEFORE INSTALLING ELECTRICAL SAFETY TEST LABEL.
3. APPLY MEDIUM STRENGTH LOCTITE.
- 4.
5. SET AND CHECK TEMPERATURE PER ES499.



McElroy Manufacturing Parts List

Part Number: 461301 SmartFab 100-120V, 50/60Hz, 1 Ph Heater Assembly

Part Number 461301 Component List

| Item | Component | Description | Quantity | Unit | Price |
|------|-----------|--|----------|------|----------|
| 1 | 436301 | Cover Plate Gasket | 1.0 | EA | 7.53 |
| 2 | 461401 | SmartFab 100-120V, 50/60Hz, 1 Ph Heater Control Box Assembly | 1.0 | EA | 1,023.00 |
| 3 | 462403 | Obsolete (Effective to 1/13/16) | 1.0 | EA | 0.00 |
| 3 | 464001 | Heater Linkage Stop | 1.0 | EA | 0.00 |
| 4 | 462405 | Heater Pivot Base (Effective to 1/13/16) | 1.0 | EA | 0.00 |
| 4 | 462201 | SmartFab Heater Pivot Base Assembly | 1.0 | EA | 0.00 |
| 5 | 462501 | Heater Pivot Wld | 1.0 | EA | 0.00 |
| 6 | 462801 | Smartfab Heater Body | 1.0 | EA | 193.00 |
| 7 | 464201 | Heater Spring Sleeve | 1.0 | EA | 0.00 |
| 8 | 841303 | 12/3 Pwr Cord W/shield TW Pair | 7.0 | FT | 49.26 |
| 9 | 8163210 | Electrical Safety Test Label | 1.0 | EA | 0.00 |
| 10 | MAB00004 | 1/4-20NCX1LG Hhcs | 1.0 | EA | 0.32 |
| 11 | MAD00044 | 1/4-20NCX3/4LG Fhscs PL | 2.0 | EA | 0.85 |
| 12 | MAN00083 | #10-24NCX5/8LG Shcs SS | 2.0 | EA | 0.39 |
| 13 | MBA00005 | 1/4-20NC Fnsh Hex Nut Stl PL | 2.0 | EA | 0.32 |
| 14 | MCI00004 | 1/4DIA X 1/2LG Dowel Pin (Effective to 1/13/16) | 2.0 | EA | 0.64 |
| 15 | MDM00011 | Bushing (Effective to 1/13/16) | 2.0 | EA | 9.48 |
| 16 | MHA00001 | 1/4ID X 3/8OD Clear Tubing (Effective to 4/18/16) | 0.25 | FT | 6.17 |
| 16 | SW03503 | Heater Spacer Tube | 1.0 | EA | 10.23 |
| 17 | MJE00028 | Compression Spring | 1.0 | EA | 8.51 |
| 18 | MJJ00041 | 1/4-20NC Ball Knob | 1.0 | EA | 7.93 |
| 19 | MJQ00604 | 3/4" Stackable Clmpng Hanger | 1.0 | EA | 0.00 |
| 20 | MKI00003 | 1X3/16 316SS 100OHM Plat Rtd | 1.0 | EA | 64.04 |
| 21 | MLD00091 | 120V,800W,5/8X6 Crtg Htr | 2.0 | EA | 123.00 |
| 22 | MLK00099 | 3/8" Strain Relief Connector (Effective to 1/14/21) | 1.0 | EA | 0.00 |
| 22 | MLK00155 | 3/8 Wire Mesh Cord Grip | 1.0 | EA | 88.99 |
| 23 | MLL00025 | #12 Type Tggt Elec Wire (Effective to 9/20/16) | 0.5 | FT | 5.22 |
| 23 | MLL00182 | #12 Type Tggt Wire, Green/yel (Effective 9/21/16 to 9/23/20) | 0.5 | FT | 7.13 |
| 24 | MLM00024 | 10-12 X #10 Hi-temp Ring Term (Effective to 9/23/20) | 1.0 | EA | 5.00 |
| 24 | MLM00395 | 10-12 X #8 Hi-temp Ring Term | 1.0 | EA | 1.16 |
| 25 | MLM00040 | 18-22 Hi-temp Butt Splice | 2.0 | EA | 1.04 |
| 26 | MLM00180 | 10-12 Hi-temp Butt Splice (Effective to 6/19/16) | 3.0 | EA | 3.05 |
| 26 | MLM00012 | 14-16 Hi-temp Butt Splice | 2.0 | EA | 0.42 |
| 27 | MLN00219 | Fiberglass Tape (per Ft) | 1.166 | FT | 0.56 |
| 28 | MNL00002 | 1/4-20NCX2.5 Dbl End Stud | 1.0 | EA | 0.00 |
| 29 | MLW00002 | 0.133ID Fiberglas Sleeve(roll) | 0.77 | FT | 2.08 |
| 30 | MAL00024 | #8-32NCX1/4LG Hwhsms SS | 1.0 | EA | 0.34 |

Please visit <https://fusion.mcelroy.com/parts> to purchase parts or for more information.