



McElroy Manufacturing, Inc.
The leader by design.
Tulsa, Oklahoma U.S.A.

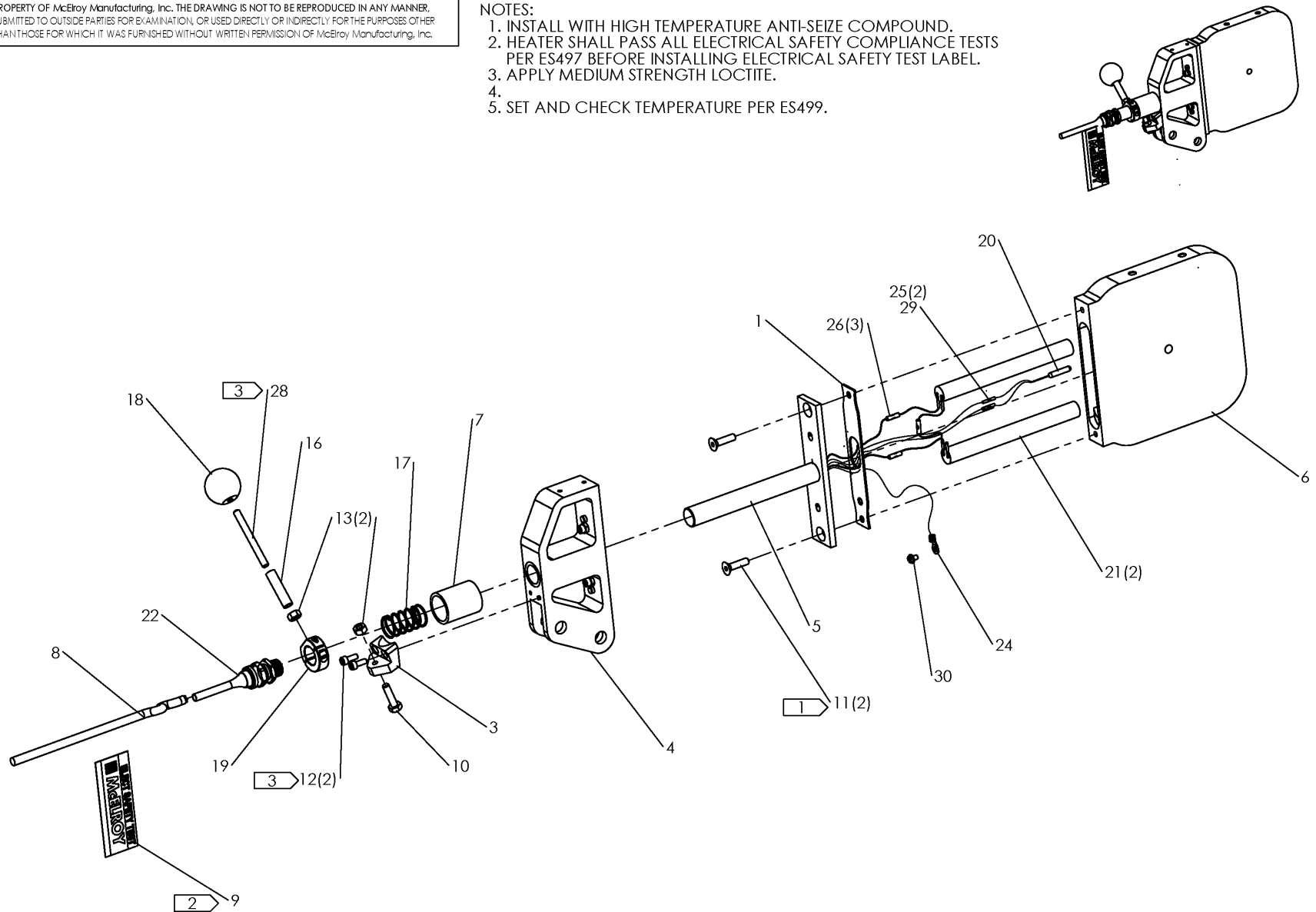
DRAWN: DCG CHECK: BOC APPRVD: PJD DATE: 10/2/15 SHT No: 2 REV No: K PART No: 461302

SmartFab™ HEATER ASSEMBLY 200-240V, 50/60Hz, 1 Ph

NOTE: THIS DRAWING AND THE INFORMATION CONTAINED THEREIN IS THE CONFIDENTIAL AND PROPRIETARY PROPERTY OF McElroy Manufacturing, Inc. THE DRAWING IS NOT TO BE REPRODUCED IN ANY MANNER, SUBMITTED TO OUTSIDE PARTIES FOR EXAMINATION, OR USED DIRECTLY OR INDIRECTLY FOR THE PURPOSES OTHER THAN THOSE FOR WHICH IT WAS FURNISHED WITHOUT WRITTEN PERMISSION OF McElroy Manufacturing, Inc.

NOTES:

1. INSTALL WITH HIGH TEMPERATURE ANTI-SEIZE COMPOUND.
2. HEATER SHALL PASS ALL ELECTRICAL SAFETY COMPLIANCE TESTS PER ES497 BEFORE INSTALLING ELECTRICAL SAFETY TEST LABEL.
3. APPLY MEDIUM STRENGTH LOCTITE.
- 4.
5. SET AND CHECK TEMPERATURE PER ES499.



McElroy Manufacturing Parts List

Part Number: 461302 SmartFab 200-240V, 50/60Hz, 1 Ph Heater Assembly

Part Number 461302 Component List

Item	Component	Description	Quantity	Unit	Price
1	436301	Cover Plate Gasket	1.0	EA	7.53
2	461402	SmartFab 200-240V, 50/60Hz, 1 Ph Heater Control Box Assembly	1.0	EA	1,094.00
3	462403	Obsolete (Effective to 1/13/16)	1.0	EA	0.00
3	464001	Heater Linkage Stop	1.0	EA	0.00
4	462405	Heater Pivot Base (Effective to 1/13/16)	1.0	EA	0.00
4	462201	SmartFab Heater Pivot Base Assembly	1.0	EA	0.00
5	462501	Heater Pivot Wld	1.0	EA	0.00
6	462801	Smartfab Heater Body	1.0	EA	193.00
7	464201	Heater Spring Sleeve	1.0	EA	0.00
8	841303	12/3 Pwr Cord W/shield TW Pair	7.0	FT	49.26
9	8163210	Electrical Safety Test Label	1.0	EA	0.00
10	MAB00004	1/4-20NCX1LG Hhcs	1.0	EA	0.32
11	MAD00044	1/4-20NCX3/4LG Fhscs PL	2.0	EA	0.85
12	MAN00083	#10-24NCX5/8LG Shcs SS	2.0	EA	0.39
13	MBA00005	1/4-20NC Fnsh Hex Nut Stl PL	2.0	EA	0.32
14	MCI00004	1/4DIA X 1/2LG Dowel Pin (Effective to 1/13/16)	2.0	EA	0.64
15	MDM00011	Bushing (Effective to 1/13/16)	2.0	EA	9.48
16	MHA00001	1/4ID X 3/8OD Clear Tubing (Effective to 4/18/16)	0.25	FT	6.17
16	SW03503	Heater Spacer Tube	1.0	EA	10.23
17	MJE00028	Compression Spring	1.0	EA	8.51
18	MJJ00041	1/4-20NC Ball Knob	1.0	EA	7.93
19	MJQ00604	3/4" Stackable Clmpng Hanger	1.0	EA	0.00
20	MKI00003	1X3/16 316SS 100OHM Plat Rtd	1.0	EA	64.04
21	MLD00091	120V,800W,5/8X6 Crtg Htr	2.0	EA	123.00
22	MLK00099	3/8" Strain Relief Connector (Effective to 1/14/21)	1.0	EA	0.00
22	MLK00155	3/8 Wire Mesh Cord Grip	1.0	EA	88.99
23	MLL00025	#12 Type Tggt Elec Wire (Effective to 9/20/16)	0.5	FT	5.22
23	MLL00182	#12 Type Tggt Wire, Green/yel (Effective 9/21/16 to 9/23/20)	0.5	FT	7.13
24	MLM00024	10-12 X #10 Hi-temp Ring Term (Effective to 9/23/20)	1.0	EA	5.00
24	MLM00395	10-12 X #8 Hi-temp Ring Term	1.0	EA	1.16
25	MLM00040	18-22 Hi-temp Butt Splice	2.0	EA	1.04
26	MLM00180	10-12 Hi-temp Butt Splice (Effective to 6/19/16)	3.0	EA	3.05
26	MLM00012	14-16 Hi-temp Butt Splice	3.0	EA	0.42
27	MLN00219	Fiberglass Tape (per Ft)	1.166	FT	0.56
28	MNL00002	1/4-20NCX2.5 Dbl End Stud	1.0	EA	0.00
29	MLW00002	0.133ID Fiberglas Sleeve(roll)	0.77	FT	2.08
30	MAL00024	#8-32NCX1/4LG Hwhsms SS	1.0	EA	0.34

Please visit <https://fusion.mcelroy.com/parts> to purchase parts or for more information.