



McElroy Manufacturing, Inc.  
The leader by design.  
Tulsa, Oklahoma U.S.A.

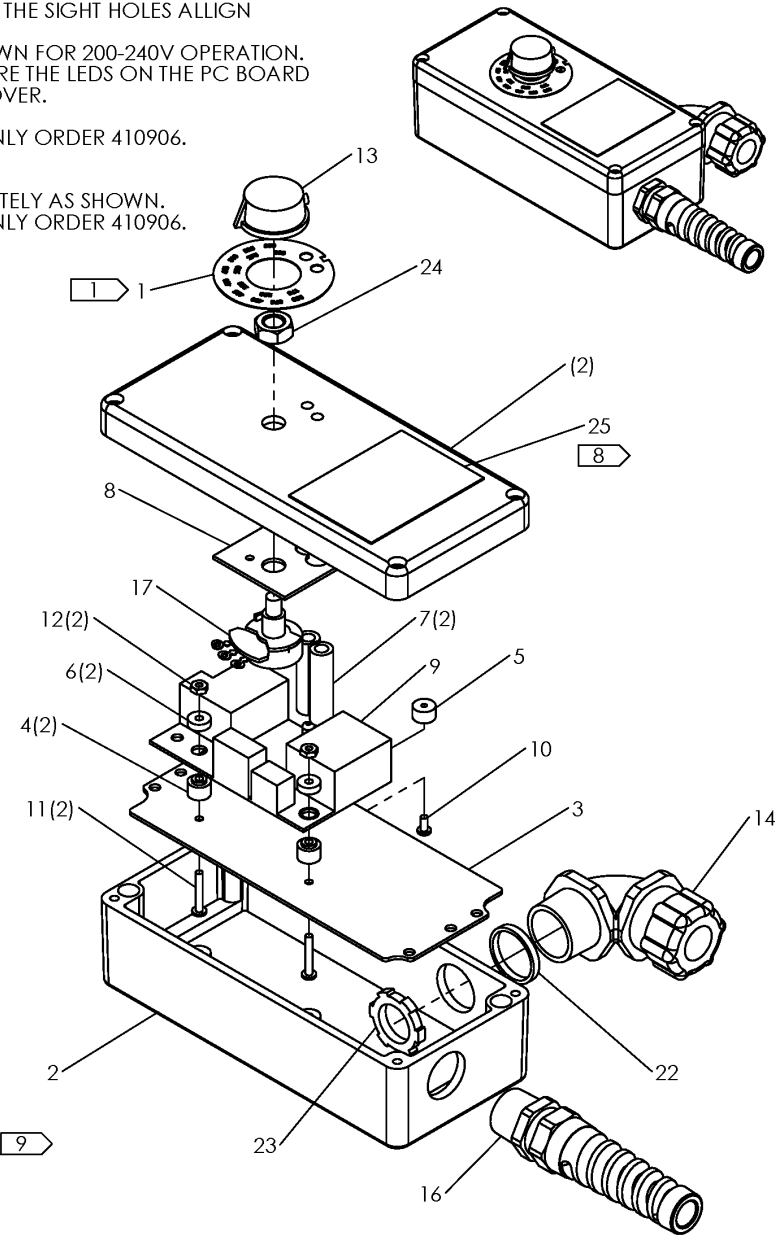
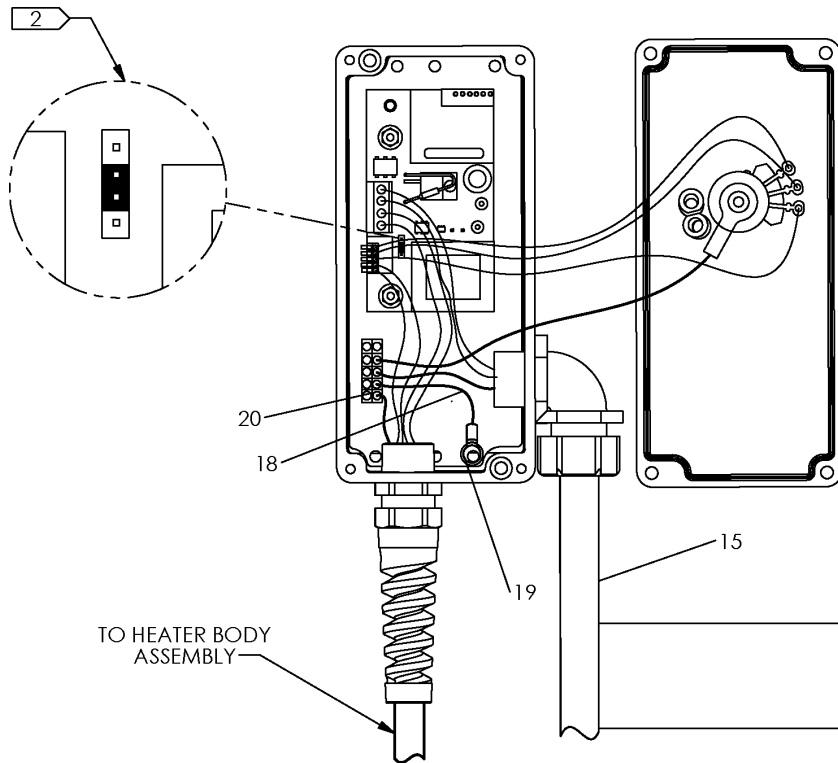
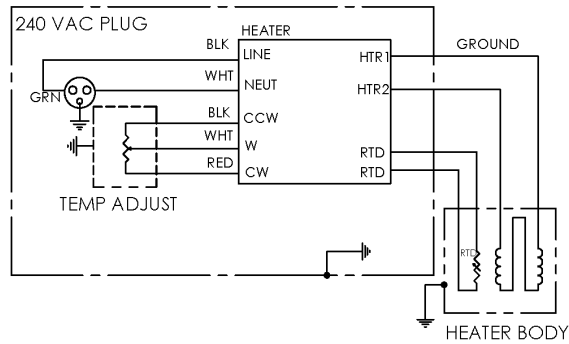
DRAWN: DCG CHECK: BOC APPRVD: PJD DATE: 10/2/15 SHT No: 2 REV No: D PART No: 461402

SmartFab™ HEATER CONTROL BOX ASSEMBLY 200-240V, 50/60 Hz, 1Ph, WITH EURO PLUG

NOTE: THIS DRAWING AND THE INFORMATION CONTAINED THEREIN IS THE CONFIDENTIAL AND PROPRIETARY PROPERTY OF McElroy Manufacturing, Inc. THE DRAWING IS NOT TO BE REPRODUCED IN ANY MANNER, SUBMITTED TO OUTSIDE PARTIES FOR EXAMINATION, OR USED DIRECTLY OR INDIRECTLY FOR THE PURPOSES OTHER THAN THOSE FOR WHICH IT WAS FURNISHED WITHOUT WRITTEN PERMISSION OF McElroy Manufacturing, Inc.

NOTES:

1. ITEM 1 MUST BE ORIENTED SO THE SIGHT HOLES ALLIGN WITH HOLES ON ITEM 2.
2. PLACE ONE JUMPER AS SHOWN FOR 200-240V OPERATION.
3. WHEN MATING LID, MAKE SURE THE LEDS ON THE PC BOARD FITS INTO LIGHT TUBES ON COVER.
- 4.
5. FOR REPLACEMENT LABEL ONLY ORDER 410906.
- 6.
- 7.
8. LOCATE ITEM 25 APPROXIMATELY AS SHOWN.
9. FOR REPLACEMENT LABEL ONLY ORDER 410906.



## McElroy Manufacturing Parts List

**Part Number:** 461402 SmartFab 200-240V, 50/60Hz, 1 Ph Heater Control Box Assembly

**Part Number 461402 Component List**

| Item | Component | Description  | Quantity | Unit | Price  |
|------|-----------|--|----------|------|--------|
| 1    | 816382    | Temperature Scale Label                                | 1.0      | EA   | 7.33   |
| 2    | 463001    | Heater Control Box Mod                                 | 1.0      | EA   | 251.00 |
| 3    | 462901    | Mounting Plate Mod                                     | 1.0      | EA   | 0.00   |
| 4    | 902101    | Heater Control Board Standoff                          | 2.0      | EA   | 0.00   |
| 5    | 902201    | Heater Control Board Spacer                            | 1.0      | EA   | 0.00   |
| 6    | 902301    | Htr Control Board Clamp Washer                         | 2.0      | EA   | 0.00   |
| 7    | 902401    | Light Tube   | 2.0      | EA   | 33.91  |
| 8    | 902501    | Light Tube Plate                                       | 1.0      | EA   | 0.00   |
| 9    | T5030001  | Heater Control Pcb Assy                                | 1.0      | EA   | 156.00 |
| 10   | MAE00122  | #4-40NCX1/4LG Bhscs SS (Effective to 10/4/16)          | 1.0      | EA   | 0.10   |
| 10   | MAQ00022  | #4-40NCX1/4LG Phrms Nylon                              | 1.0      | EA   | 0.00   |
| 11   | MAJ00010  | #4-40NCX3/4LG Rhrms SS                                 | 2.0      | EA   | 0.00   |
| 12   | MBA00001  | #4-40NC Hex Nut Stl PL                                 | 2.0      | EA   | 0.05   |
| 13   | MJJ00023  | Control Knob   | 1.0      | EA   | 5.24   |
| 14   | MLK00020  | 1/2 X 90DEG Strain Relief Conn (Effective to 12/27/15) | 1.0      | EA   | 47.58  |
| 14   | MLK00021  | 1/2 X 90DEG Strain Relief Conn                         | 1.0      | EA   | 0.00   |
| 15   | 718501    | Replaced by A718502 (Effective to 8/8/17)              | 1.0      | EA   | 0.00   |
| 15   | 718502    | 16A, 250V Power Cord Assembly with CEE 7/7 Plug        | 1.0      | EA   | 126.00 |
| 16   | MLK00064  | Strain Relief Connector                                | 1.0      | EA   | 9.77   |
| 17   | T5030002  | Potentiometer Assy                                     | 1.0      | EA   | 15.05  |
| 18   | MLL00046  | #16 Mtw/tew Wire, Green                                | 0.5      | FT   | 0.00   |
| 19   | MLM00133  | 14-16 X #10 Ring Terminal                              | 1.0      | EA   | 0.55   |
| 20   | MQF00395  | 5 Pos Lever-nut Terminal Block                         | 1.0      | EA   | 2.88   |
| 21   | 410906    | Dng Not Expln Proof Tag Label (Effective to 8/8/17)    | 1.0      | EA   | 4.20   |
| 22   | MLJ00004  | 1/2 Seal Ring  | 1.0      | EA   | 5.24   |
| 23   | MLN00100  | 1/2" Conduit Lock Nut                                  | 1.0      | EA   | 1.03   |
| 24   | MBA00067  | 3/8-32NEF X 0.22 X 1/4 Sealnut                         | 1.0      | EA   | 6.22   |
| 25   | 8163305   | Model 461302 Part NO Label                             | 1.0      | EA   | 0.00   |

Please visit <https://fusion.mcelroy.com/parts> to purchase parts or for more information.