



McElroy Manufacturing, Inc.
The leader by design.
Tulsa, Oklahoma U.S.A.

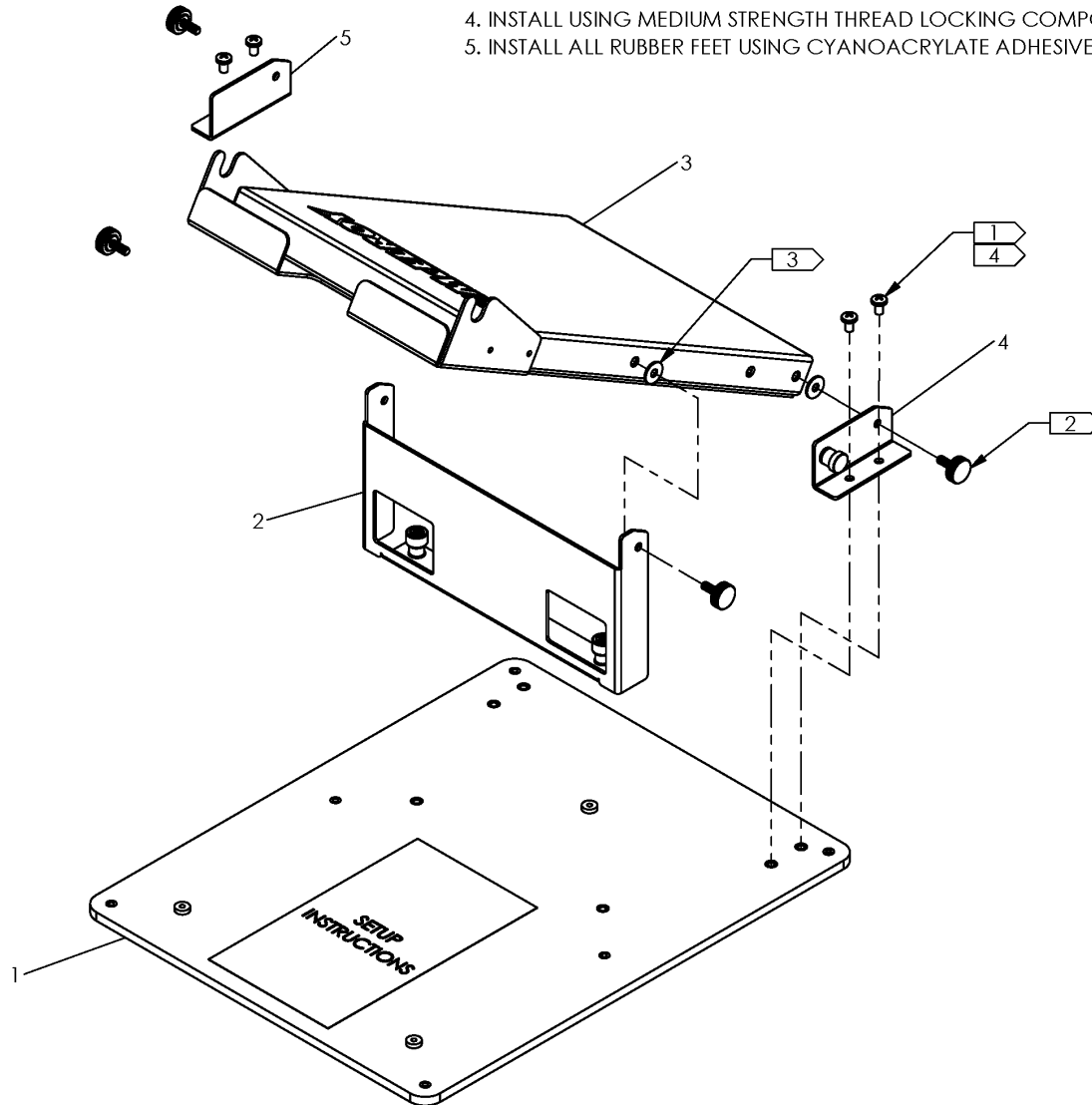
DRAWN: CRN CHECK: WW APPRVD: PJD DATE: 2/5/16 SHT No: 1 REV No: PART No: 466001

Spider 125 DEMO STAND

NOTE: THIS DRAWING AND THE INFORMATION CONTAINED THEREIN IS THE CONFIDENTIAL AND PROPRIETARY PROPERTY OF McElroy Manufacturing, Inc. THE DRAWING IS NOT TO BE REPRODUCED IN ANY MANNER, SUBMITTED TO OUTSIDE PARTIES FOR EXAMINATION, OR USED DIRECTLY OR INDIRECTLY FOR THE PURPOSES OTHER THAN THOSE FOR WHICH IT WAS FURNISHED WITHOUT WRITTEN PERMISSION OF McElroy Manufacturing, Inc.

NOTES:

1. HARDWARE: # 10-32 X 5/16" LG PAN HEAD PHILLIPS SCREW
2. HARDWARE: # 10-32 X 1/2" LG KNURLED HEAD THUMB SCREW
3. HARDWARE: # 10 NYLON FLAT WASHER
4. INSTALL USING MEDIUM STRENGTH THREAD LOCKING COMPOUND
5. INSTALL ALL RUBBER FEET USING CYANOACRYLATE ADHESIVE



McElroy Manufacturing Parts List

Part Number: 466001 Spider 125 Demo Stand

Part Number 466001 Component List

Item	Component	Description	Quantity	Unit	Price
1	466101	Base	1.0	EA	0.00
2	466201	Collapsible Leg	1.0	EA	0.00
3	466301	Pivot Arm	1.0	EA	0.00
4	466401	Right Mntg Bracket	1.0	EA	0.00
5	466501	Left Mntg Bracket	1.0	EA	0.00

Please visit <https://fusion.mcelroy.com/parts> to purchase parts or for more information.

