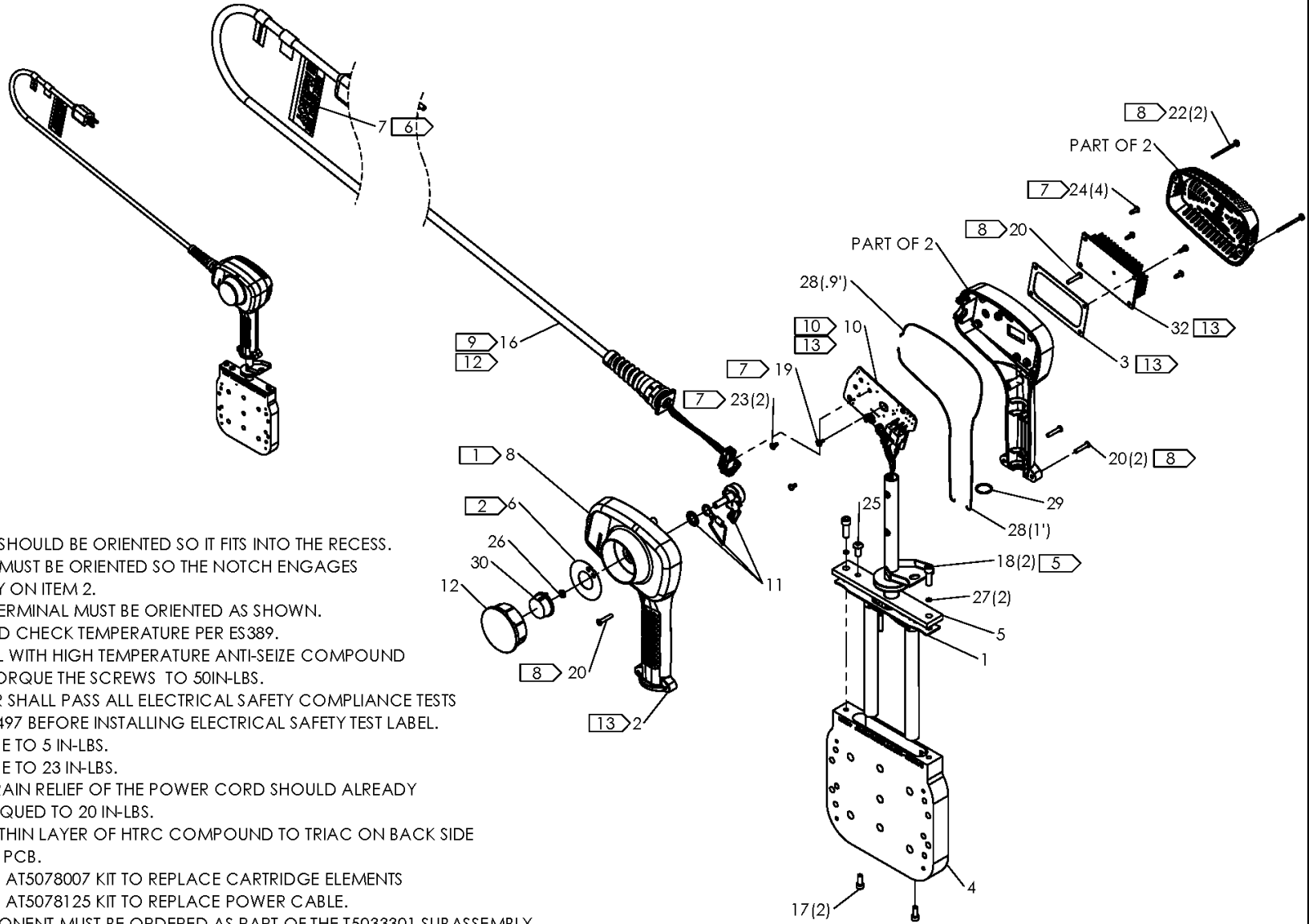


LARGE SOCKET HEATER ASSEMBLY 100-120V, 50/60Hz 1Ph

NOTE: THIS DRAWING AND THE INFORMATION CONTAINED THEREIN IS THE CONFIDENTIAL AND PROPRIETARY PROPERTY OF McElroy Manufacturing, Inc. THE DRAWING IS NOT TO BE REPRODUCED IN ANY MANNER, SUBMITTED TO OUTSIDE PARTIES FOR EXAMINATION, OR USED DIRECTLY OR INDIRECTLY FOR THE PURPOSES OTHER THAN THOSE FOR WHICH IT WAS FURNISHED WITHOUT WRITTEN PERMISSION OF McElroy Manufacturing, Inc.

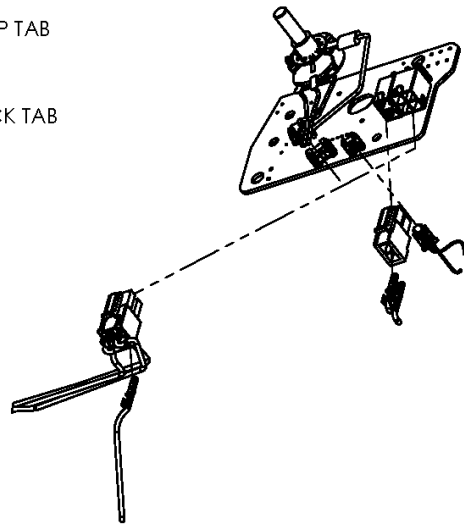
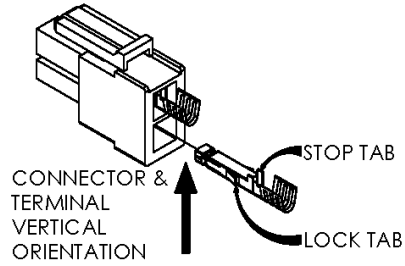
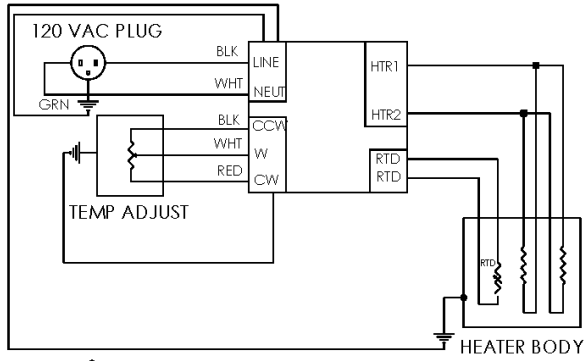


NOTES:

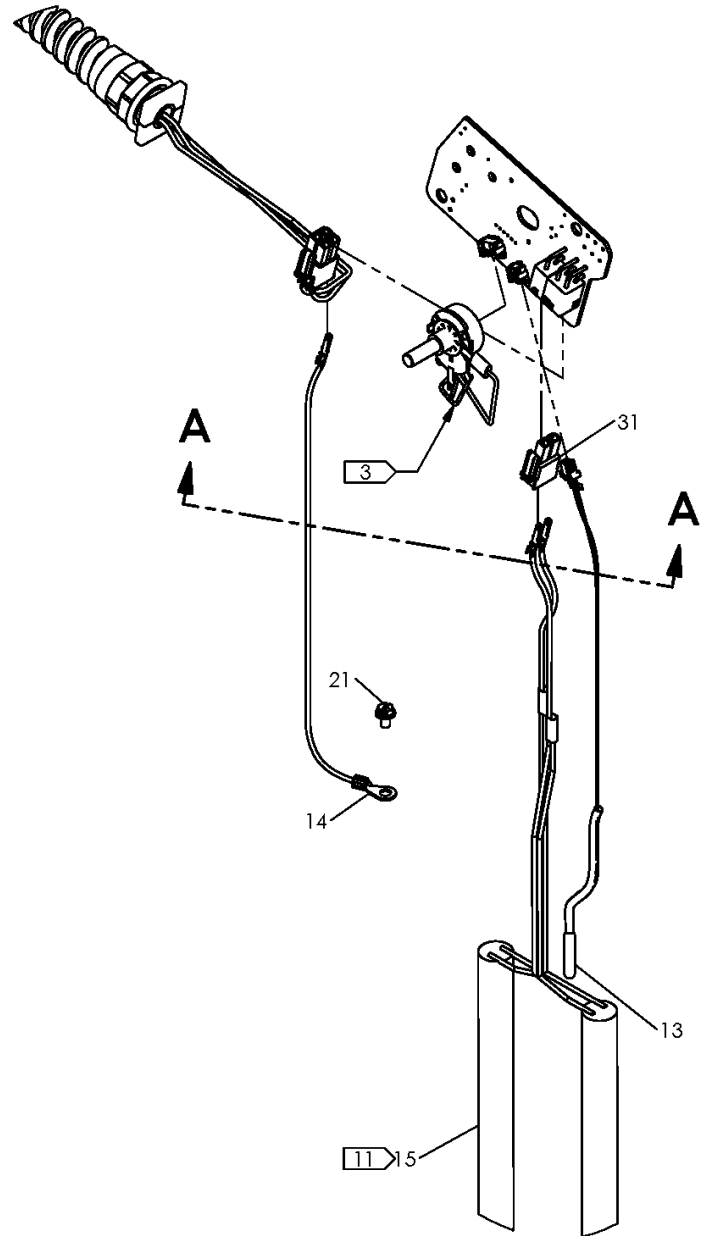
1. ITEM 8 SHOULD BE ORIENTED SO IT FITS INTO THE RECESS.
2. ITEM 6 MUST BE ORIENTED SO THE NOTCH ENGAGES THE KEY ON ITEM 2.
3. RING TERMINAL MUST BE ORIENTED AS SHOWN.
4. SET AND CHECK TEMPERATURE PER ES389.
5. INSTALL WITH HIGH TEMPERATURE ANTI-SEIZE COMPOUND AND TORQUE THE SCREWS TO 50IN-LBS.
6. HEATER SHALL PASS ALL ELECTRICAL SAFETY COMPLIANCE TESTS PER ES497 BEFORE INSTALLING ELECTRICAL SAFETY TEST LABEL.
7. TORQUE TO 5 IN-LBS.
8. TORQUE TO 23 IN-LBS.
9. THE STRAIN RELIEF OF THE POWER CORD SHOULD ALREADY BE TORQUED TO 20 IN-LBS.
10. APPLY THIN LAYER OF HTRC COMPOUND TO TRIAC ON BACK SIDE OF THE PCB.
11. ORDER AT5078007 KIT TO REPLACE CARTRIDGE ELEMENTS
12. ORDER AT5078125 KIT TO REPLACE POWER CABLE.
13. COMPONENT MUST BE ORDERED AS PART OF THE T5033301 SUBASSEMBLY.

LARGE SOCKET HEATER ASSEMBLY 100-120V, 50/60Hz 1Ph

NOTE: THIS DRAWING AND THE INFORMATION CONTAINED THEREIN IS THE CONFIDENTIAL AND PROPRIETARY PROPERTY OF McElroy Manufacturing, Inc. THE DRAWING IS NOT TO BE REPRODUCED IN ANY MANNER, SUBMITTED TO OUTSIDE PARTIES FOR EXAMINATION, OR USED DIRECTLY OR INDIRECTLY FOR THE PURPOSES OTHER THAN THOSE FOR WHICH IT WAS FURNISHED WITHOUT WRITTEN PERMISSION OF McElroy Manufacturing, Inc.



SECTION A-A



McElroy Manufacturing Parts List

Part Number: 470101 Large 120V Socket Heater Assembly

Part Number 470101 Component List

Item	Component	Description	Quantity	Unit	Price
1	436301	Cover Plate Gasket	1.0	EA	7.53
2	437304	Small Htr Handle/enclosure	1.0	EA	0.00
3	437401	Heat Sink Gasket	1.0	EA	0.00
4	443001	Large Heater Body	1.0	EA	338.00
5	469501	Heater Handle Wld (Effective to 2/4/21)	1.0	EA	96.09
5	469601	Large Heater Handle Wld	1.0	EA	125.00
6	8163207	Temperature Set Label	1.0	EA	8.93
7	8163210	Electrical Safety Test Label	1.0	EA	0.00
8	8163377	Model 470101 Part NO Label	1.0	EA	16.90
9	A424901	14 MultiMc/Socket Fusion Heater Screw&Driver Kit	1.0	EA	50.32
10	T5030006	Heater Control Pcb Assy (Effective to 12/15/20)	1.0	EA	0.00
10	T5030009	Heater Control Pcb Assy	1.0	EA	0.00
11	T5030007	Potentiometer Assy	1.0	EA	26.35
12	T5030104	Heater Control Knob Cover	1.0	EA	6.15
13	T5077601	Rtd W/ Conn X 10" (Effective to 2/8/21)	1.0	EA	72.10
13	T5077602	Rtd W/ Conn X 12"	1.0	EA	84.35
14	T5077903	Ground Wire W/#8 Term X 10" (Effective to 2/8/21)	1.0	EA	30.40
14	T5077906	Ground Wire W/ Term X 12"	1.0	EA	32.25
15	T5078007	120V 2X800W Crtg Htr Asyw/term	1.0	EA	0.00
16	T5078101	13A/120V Pwr Cord W/plug&conn	1.0	EA	91.31
17	MAH00046	#10-24NCX1/2LG Shcs SS	2.0	EA	0.39
18	MAH00052	1/4-20NC X 3/4"LG Shcs SS	2.0	EA	0.49
19	MAH00296	#6-32X1/4 Phil Pan Sealg Scr	1.0	EA	2.00
20	MAL00010	#6-19X3/4LG Torx T15 Pan Hdscr	4.0	EA	0.56
21	MAL00024	#8-32NCX1/4LG Hwhsms SS	1.0	EA	0.34
22	MAL00031	#6-19X1-1/2'LG Torx T15 Panscr	2.0	EA	0.24
23	MAL00034	#6-19X1/4LG Phil Pan Hdscr	2.0	EA	0.06
24	MAL00035	#6-19X3/8LG Phil Pan Hdscr	4.0	EA	0.08
25	MAN00045	1/4-28NFX1/2LG Bhscs SS	1.0	EA	0.49
26	MBA00067	3/8-32NEF X 0.22 X 1/4 Sealnut	1.0	EA	6.22
27	MBG00133	1/4" Belleville Spring Wshr SS	2.0	EA	1.64
28	MDL00373	.040DIA Buna O-ring Cord Stock	1.9	FT	1.81
29	MDL00374	O-ring	1.0	EA	0.61
30	MJJ00023	Control Knob	1.0	EA	5.24
31	MLF00175	Mega-fit Rec Conn,	1.0	EA	0.44
32	MQI00111	Heatsink	1.0	EA	0.00

Please visit <https://fusion.mcelroy.com/parts> to purchase parts or for more information.