



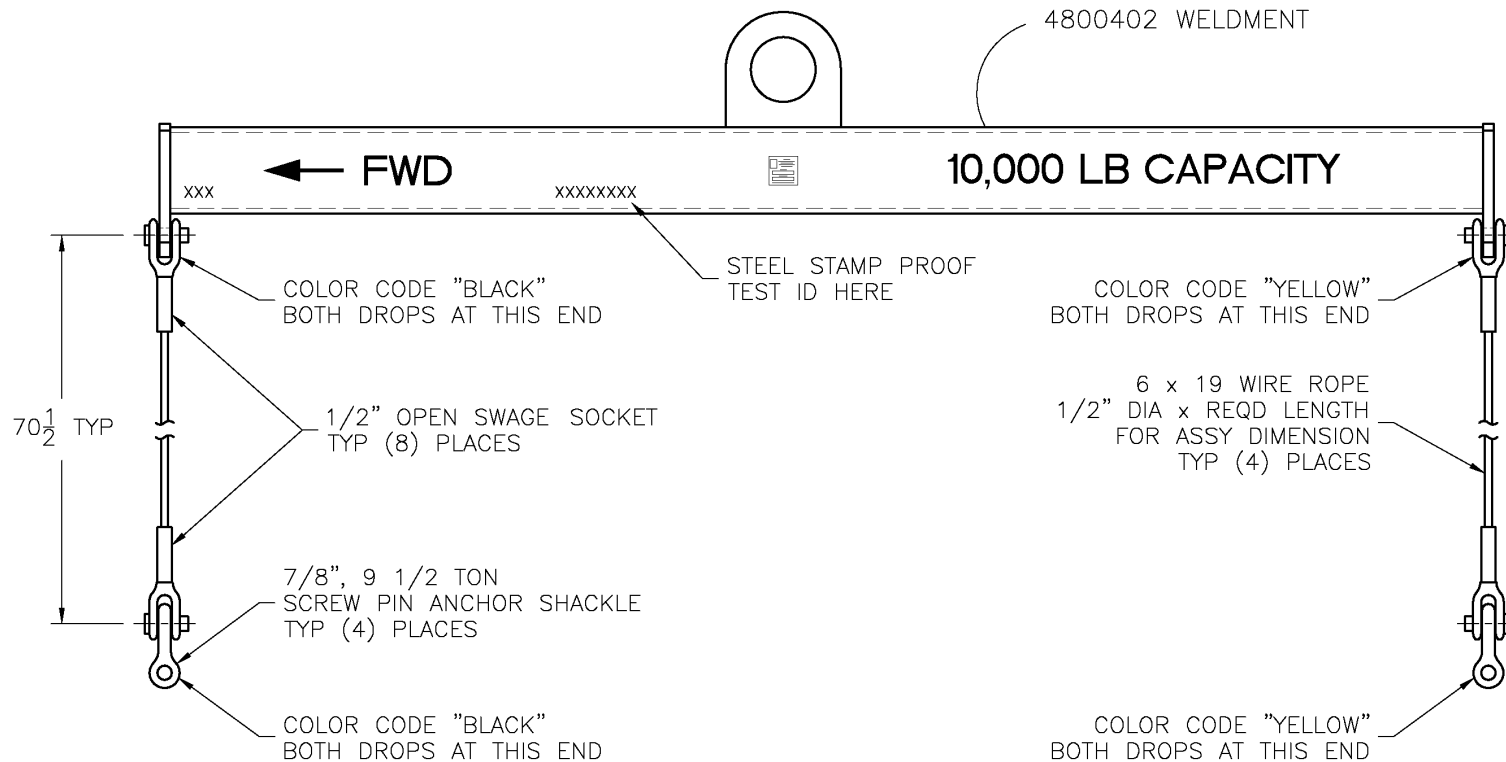
**McElroy Manufacturing, Inc.**  
 The leader by design.  
 Tulsa, Oklahoma U.S.A.

DRAWN: TGW	CHECK: BWP	APPRV'D: TLW	DATE: 12/22/98	DWG No: 4800400	SHT No: 1	REV No: F	PART No: 4800401
#1648A SPREADER BAR ASSEMBLY							CAD No: 4800401

NOTE: THIS DRAWING AND THE INFORMATION CONTAINED THEREIN IS THE CONFIDENTIAL AND PROPRIETARY PROPERTY OF McElroy Manufacturing, Inc. THE DRAWING IS NOT TO BE REPRODUCED IN ANY MANNER, SUBMITTED TO OUTSIDE PARTIES FOR EXAMINATION, OR USED DIRECTLY OR INDIRECTLY FOR THE PURPOSES OTHER THAN THOSE FOR WHICH IT WAS FURNISHED WITHOUT WRITTEN PERMISSION OF McElroy Manufacturing, Inc.

**NOTES:**

1. PROOF TEST TO 20,000 LBS.
2. THIS ASSEMBLY IS PROOF TESTED AND CERTIFIED TO LIFT THE SPECIFIED LOAD SHOWN ON THE DRAWING. REPLACEMENT PARTS ARE AVAILABLE ONLY BY SENDING THE ENTIRE SPREADER BAR ASSEMBLY BACK TO McElroy MFG. AFTER THE REPLACEMENT PARTS HAVE BEEN INSTALLED, THE ASSEMBLY WILL BE PROOF TESTED AGAIN AND RE-CERTIFIED.



## McElroy Manufacturing Parts List

**Part Number:** 4800401 1648 Spreader Bar Assembly

Please visit <https://fusion.mcelroy.com/parts> to purchase parts or for more information.

