



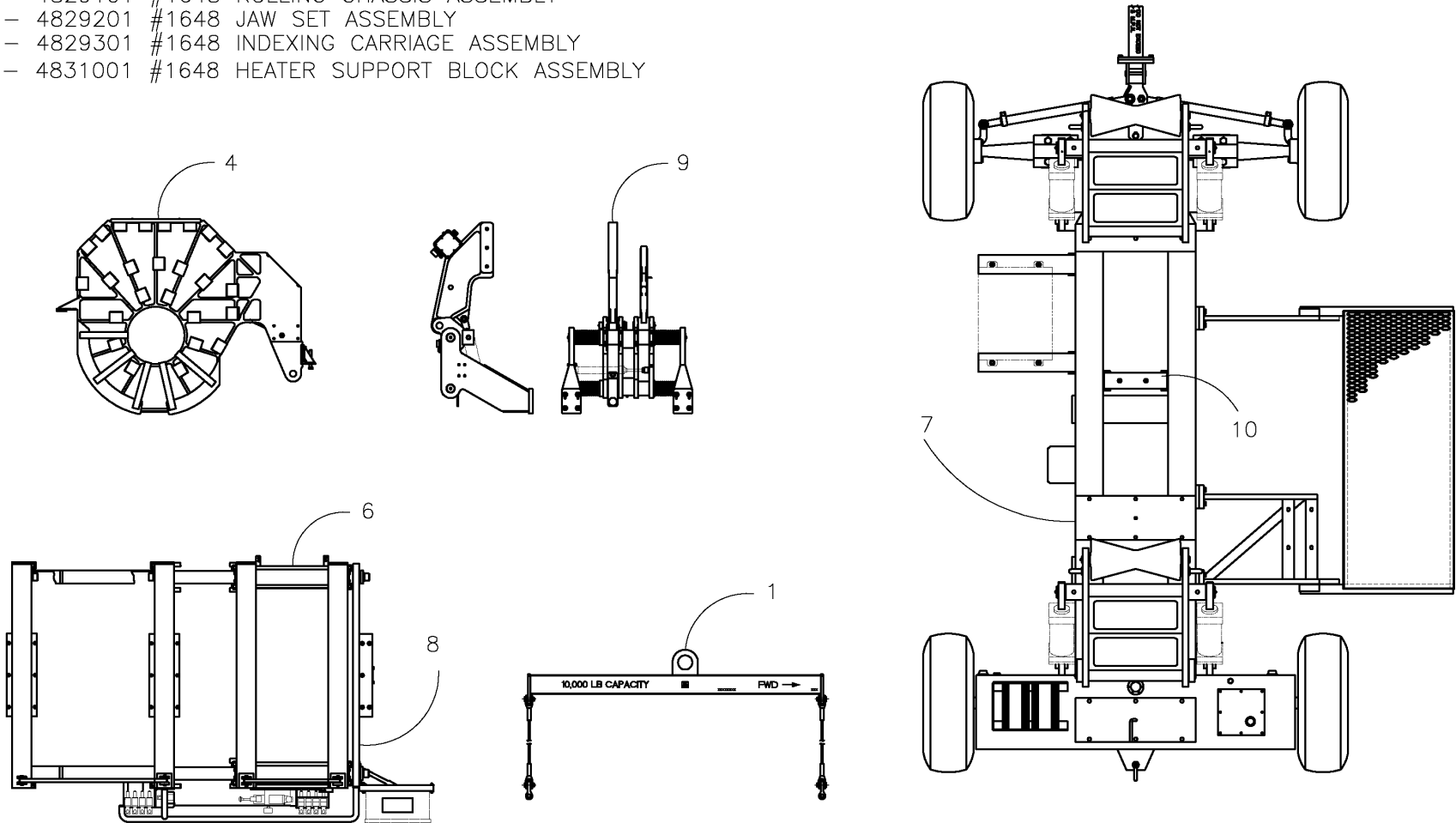
McElroy Manufacturing, Inc.
The leader by design.
Tulsa, Oklahoma U.S.A.

DRAWN: RLE CHECK: TLW APPRV'D: SWB DATE: 03/29/99
CE #1648 FUSION MACHINE GROUPING FOR 4800800 ASSEMBLIES

DWG No: SHT No: REV No: D PART No: CAD No: _ASSY48

NOTE: THIS DRAWING AND THE INFORMATION CONTAINED THEREIN IS THE CONFIDENTIAL AND PROPRIETARY PROPERTY OF McElroy Manufacturing, Inc. THE DRAWING IS NOT TO BE REPRODUCED IN ANY MANNER, SUBMITTED OUTSIDE PARTIES FOR EXAMINATION, OR USED DIRECTLY OR INDIRECTLY FOR THE PURPOSES OTHER THAN THOSE FOR WHICH IT WAS FURNISHED WITHOUT WRITTEN PERMISSION OF McElroy Manufacturing, Inc.

- 1 - 4800401 #1648 SPREADER BAR ASSEMBLY
- 2 - 4800601 #1648 HYDRAULIC SCHEMATIC (NOT SHOWN)
- 3 - 4800602 #1648 PLUMBING SCHEMATIC (NOT SHOWN)
- 4 - 4824822 #1648 HEATER PANEL & FRAME ASSEMBLY
- 5 - 4827706 CE #1648 ELECTRICAL POWER ASSEMBLY 220-240V, 50/60Hz, 3Ph (NOT SHOWN)
- 6 - 4829001 HIGH FORCE CYLINDER ASSEMBLY SET (STD)
- 6 - 4829002 #1648 MEDIUM FORCE CYLINDER ASSEMBLY SET (HV)
- 7 - 4829101 #1648 ROLLING CHASSIS ASSEMBLY
- 8 - 4829201 #1648 JAW SET ASSEMBLY
- 9 - 4829301 #1648 INDEXING CARRIAGE ASSEMBLY
- 10 - 4831001 #1648 HEATER SUPPORT BLOCK ASSEMBLY



McElroy Manufacturing Parts List

Part Number: 4800806 CE No. 1648 HF 220-240V,50/60Hz,3Ph Fusion Machine Assembly

Part Number 4800806 Component List

Item	Component	Description	Quantity	Unit	Price
1	4800401	1648 Spreader Bar Assembly	1.0	EA	6,141.00
2	4800601	1648 Hydraulic Schematic	1.0	EA	0.00
3	4800602	1648 Plumbing Schematic	1.0	EA	9,345.00
4	4824822	1648 Heater Panel and Frame Assembly	1.0	EA	16,836.00
5	4827706	CE 1648 Electrical Power Assembly 220-240V, 50/60Hz, 3Ph	1.0	EA	17,196.00
6	4829001	1648 HF Cylinder Assembly Set	1.0	S2	28,727.00
7	4829101	1648 Rolling Chassis Assembly	1.0	EA	0.00
8	4829201	1648 Jaw Set Assembly	1.0	EA	0.00
9	4829301	1648 Indexing Carriage Assembly	1.0	EA	0.00
10	4831001	48 Heater Support Block Assy	1.0	EA	69.90

Please visit <https://fusion.mcelroy.com/parts> to purchase parts or for more information.

