



**McElroy Manufacturing, Inc.**  
The leader by design.  
Tulsa, Oklahoma U.S.A.

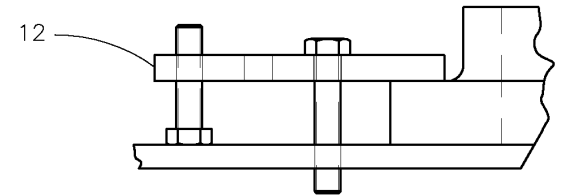
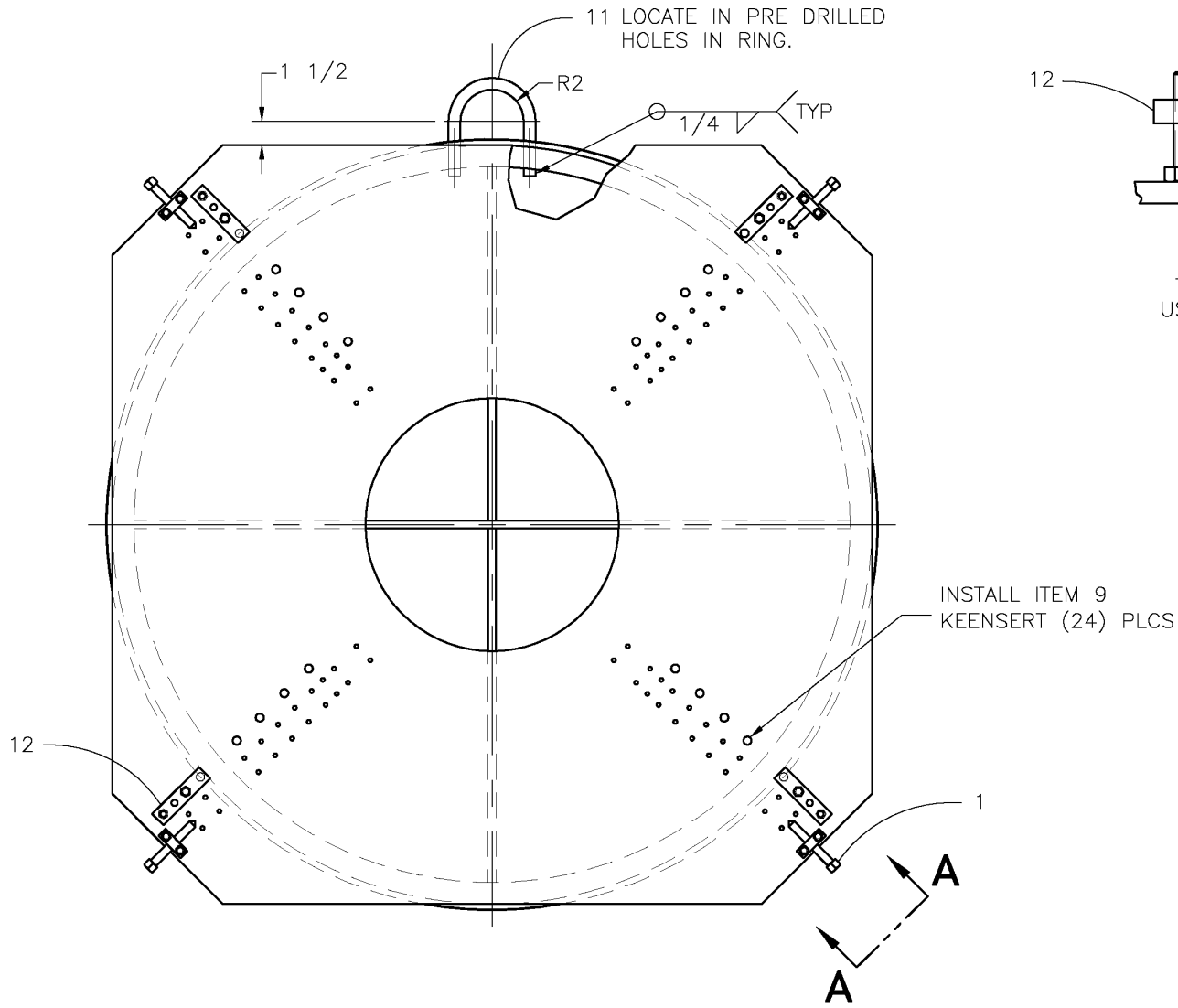
DRAWN: BB	CHECK: BWP	APPRV'D: TLW	DATE: 10/06/97	DWG No: 4812600	SHT No: 1	REV No: L	PART No: 4812601
-----------	------------	--------------	----------------	-----------------	-----------	-----------	------------------

#1648 STUB END HOLDER ASSEMBLY	CAD No: 4812601
--------------------------------	-----------------

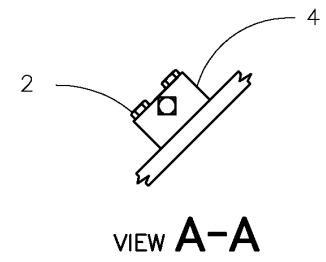
NOTE: THIS DRAWING AND THE INFORMATION CONTAINED THEREIN IS THE CONFIDENTIAL AND PROPRIETARY PROPERTY OF McElroy Manufacturing, Inc. THE DRAWING IS NOT TO BE REPRODUCED IN ANY MANNER, SUBMITTED OUTSIDE PARTIES FOR EXAMINATION, OR USED DIRECTLY OR INDIRECTLY FOR THE PURPOSES OTHER THAN THOSE FOR WHICH IT WAS FURNISHED WITHOUT WRITTEN PERMISSION OF McElroy Manufacturing, Inc.

NOTES:

1. INSTALL IN INNER MOVEABLE JAW ONLY.
2. ITEM #5 CAN BE USED OVER THE FACER STOPS IN THE MOVEABLE JAW FOR EXTENSIONS.



TYPICAL CLAMPING DETAIL  
USING A4812608 CLAMP KIT



## McElroy Manufacturing Parts List

**Part Number:** 4812601 1648 Stub End Holder Assembly

### Part Number 4812601 Component List

Item	Component	Description	Quantity	Unit	Price
1	805703	Stub End Holder Adj Screw	4.0	EA	40.85
2	MAB00035	5/16-18NCX1-1/2LG Hhcs	8.0	EA	0.51
3	MAC00098	3/8-16NCX2LG Shcs PL	4.0	EA	3.44
4	3614401	Stub End Holder Adj Scr Block	4.0	EA	137.00
5	4817601	Rest Button Spacer	3.0	EA	0.00
9	MJM00003	3/8-16NC Keensert	24.0	EA	12.00
10	4812606	Stub End Holder	1.0	EA	0.00
12	A4812608	24/36/48 Stub End Clamp Kit	1.0	EA	400.00

Please visit <https://fusion.mcelroy.com/parts> to purchase parts or for more information.

