

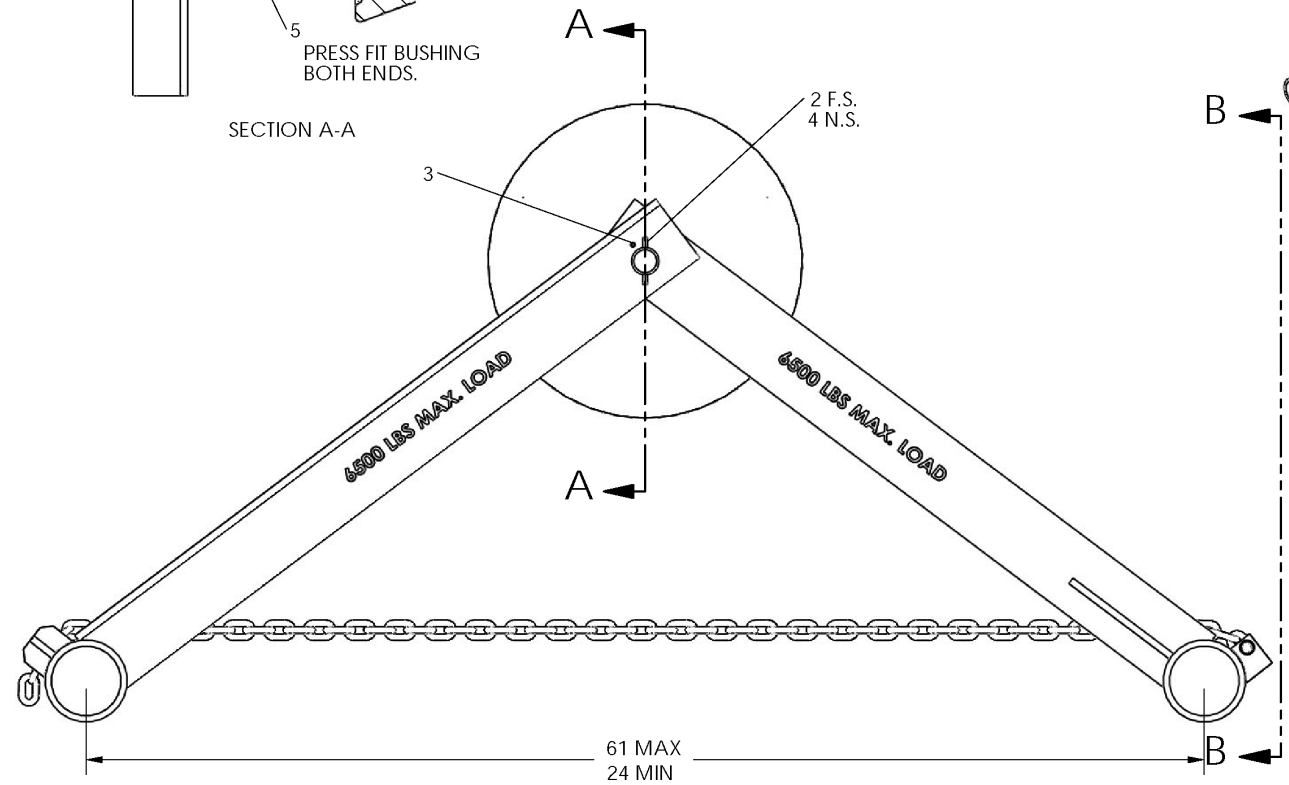
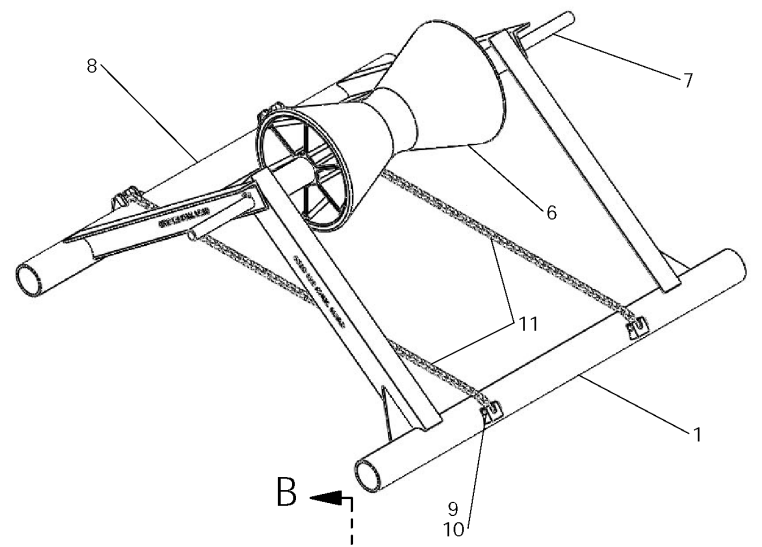
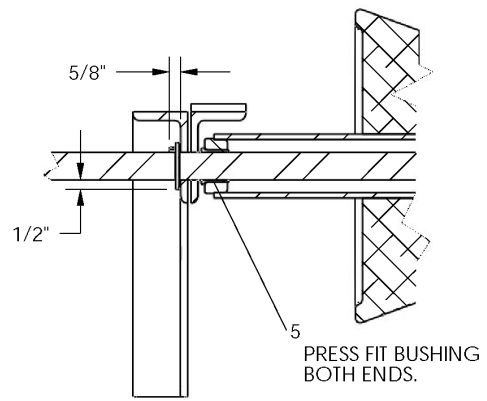


McElroy Manufacturing, Inc.
The leader by design.
Tulsa, Oklahoma U.S.A.

DRAWN: TLW	CHECK: SWB	APPRVD: B	DATE: 4/03/96	SHT No: 1A	REV No: L	PART No: 4823901
------------	------------	-----------	---------------	------------	-----------	------------------

1648A PIPE STAND ASSEMBLY

NOTE: THIS DRAWING AND THE INFORMATION CONTAINED THEREIN IS THE CONFIDENTIAL AND PROPRIETARY PROPERTY OF McElroy Manufacturing, Inc. THE DRAWING IS NOT TO BE REPRODUCED IN ANY MANNER, SUBMITTED TO OUTSIDE PARTIES FOR EXAMINATION, OR USED DIRECTLY OR INDIRECTLY FOR THE PURPOSES OTHER THAN THOSE FOR WHICH IT WAS FURNISHED WITHOUT WRITTEN PERMISSION OF McElroy Manufacturing, Inc.





McElroy Manufacturing, Inc.
The leader by design.
Tulsa, Oklahoma U.S.A.

DRAWN: TLW

CHECK: SWB

APPR'D: B

DATE: 4/03/96

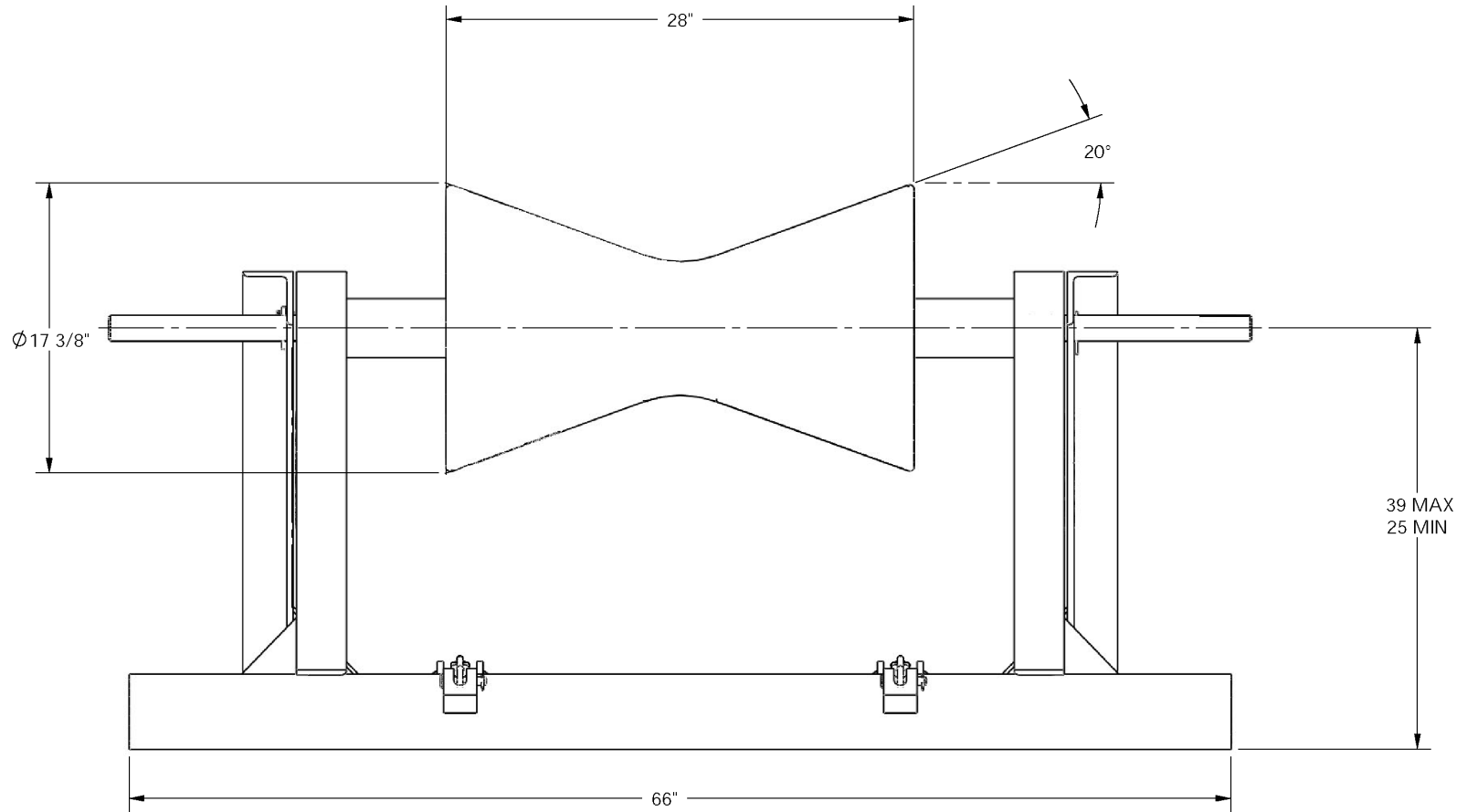
SHT No: 1B

REV No: L

PART No: 4823901

1648A PIPE STAND ASSEMBLY

NOTE: THIS DRAWING AND THE INFORMATION CONTAINED THEREIN IS THE CONFIDENTIAL AND PROPRIETARY PROPERTY OF McElroy Manufacturing, Inc. THE DRAWING IS NOT TO BE REPRODUCED IN ANY MANNER, SUBMITTED TO OUTSIDE PARTIES FOR EXAMINATION, OR USED DIRECTLY OR INDIRECTLY FOR THE PURPOSES OTHER THAN THOSE FOR WHICH IT WAS FURNISHED WITHOUT WRITTEN PERMISSION OF McElroy Manufacturing, Inc.



VIEW B-B

McElroy Manufacturing Parts List

Part Number: 4823901 Heavy Duty Pipe Stand Assembly

Part Number 4823901 Component List

Item	Component	Description	Quantity	Unit	Price
1	4823905	Pipe Support Stand Inr Leg Wld	1.0	EA	1,801.00
2	MCH00005	1/8DIAX2LG Cotter Pin	1.0	EA	0.24
3	MCG00008	1/4DIAX1LG Roll Pin	1.0	EA	0.36
4	MCG00012	1/4DIAX2-1/2LG Roll Pin	1.0	EA	0.99
5	MDM00120	Flange Bushing	2.0	EA	20.02
6	4823302	Pipe Sprt Stand Rlr Cstg Assy	1.0	EA	7,337.00
7	4823908	Pipe Stand Roller Shaft	1.0	EA	656.00
8	4823902	Pipe Sprt Stand Outer Leg Wld	1.0	EA	2,047.00
9	MCF00019	1/2DIAX2-11/32 Grip Clv Pin PL	2.0	EA	2.61
10	MCH00001	1/8DIAX1LG Cotter Pin	2.0	EA	0.12
11	4828601	Chain Modification	2.0	EA	102.00

Please visit <https://fusion.mcelroy.com/parts> to purchase parts or for more information.