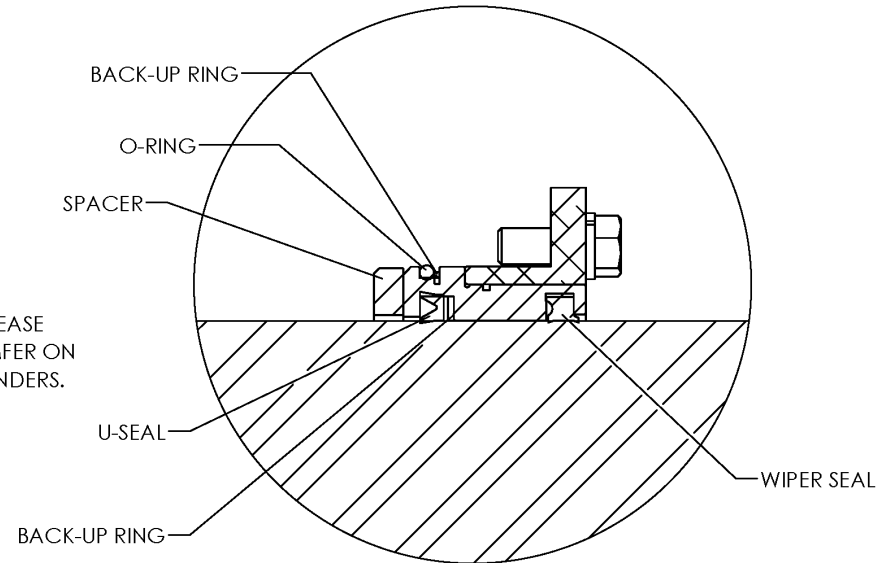


MEDIUM FORCE CYLINDER ASSEMBLY SET

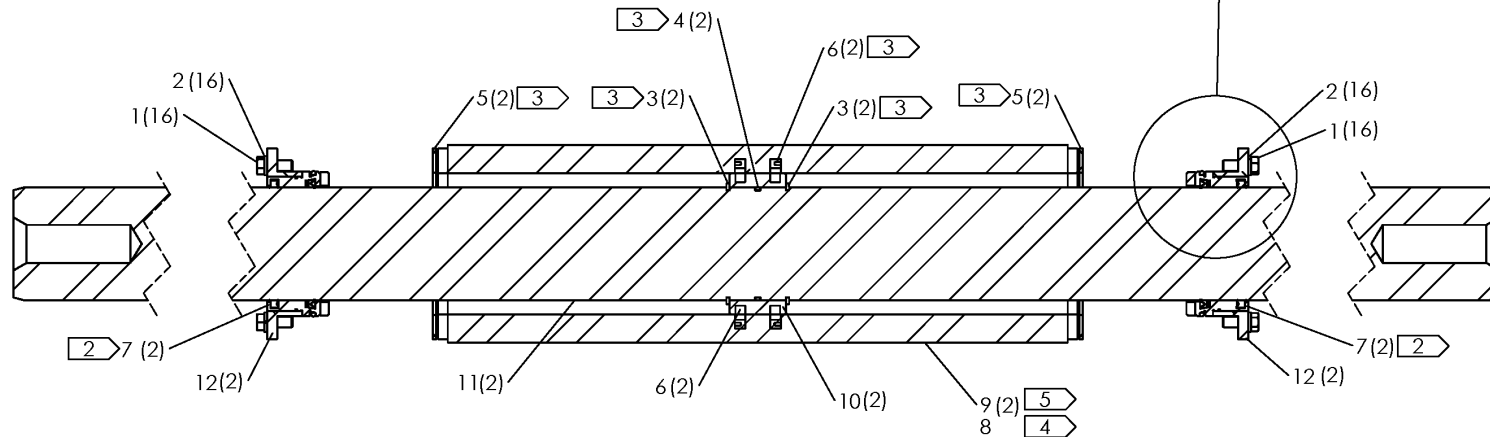
NOTE: THIS DRAWING AND THE INFORMATION CONTAINED THEREIN IS THE CONFIDENTIAL AND PROPRIETARY PROPERTY OF McElroy Manufacturing, Inc. THE DRAWING IS NOT TO BE REPRODUCED IN ANY MANNER, SUBMITTED TO OUTSIDE PARTIES FOR EXAMINATION, OR USED DIRECTLY OR INDIRECTLY FOR THE PURPOSES OTHER THAN THOSE FOR WHICH IT WAS FURNISHED WITHOUT WRITTEN PERMISSION OF McElroy Manufacturing, Inc.

NOTES:

1. TOTAL EFFECTIVE PISTON AREA = 14.14 SQ. IN.
2. ITEM #7 INCLUDES SEALS.
3. SEAL KIT #A4824201 INCLUDES NOTED ITEMS ALONG WITH QTY 4 MDL00076 SEAL KITS FOR GLANDS.
4. ITEM #8 IS LOCATED ON OPERATOR SIDE OF CYLINDER ONLY.
5. COLOR CODED "ORANGE".
6. GUIDE ROD IS NOT SYMMETRIC, WHEN CYLINDER ASSEMBLY IS INSTALLED TO CARRIAGE, LONGEST END MARKED "FWD" MUST BE INSERTED INTO GUIDE ROD SUPPORT
7. INSTALL PISTON FROM END MARKED 'FWD', USING CHAMFER ON THE I.D. TO EASE INSTALLATION OVER O-RING. RESULTANT DIRECTION OF SINGLE SIDED CHAMFER ON PISTON MAKE STRONGEST RETAINING RING JOINT CLOSING CARRIAGE CYLINDERS.



DETAIL A



McElroy Manufacturing Parts List

Part Number: 4829002 1648 MF Cylinder Assembly Set

Part Number 4829002 Component List

Item	Component	Description	Quantity	Unit	Price
1	MAB00064	3/8-16NCX1LG Hhcs	32.0	EA	0.51
2	MBE00007	3/8 Reg Splt Lck Wshr Stl PL	32.0	EA	0.12
3	MCB00019	Ext Snap Ring	4.0	EA	10.33
4	MDL00011	O-ring	2.0	EA	2.31
5	MDL00060	O-ring	4.0	EA	4.69
6	MDL00165	Seal	4.0	EA	0.00
7	MEK00011	Rod Cartridge W/seal	4.0	EA	1,591.00
8	816370	14.14 SQ IN Tapa Label	1.0	EA	96.78
9	4802002	MF Carriage Cylinder	2.0	EA	4,680.00
10	4802102	MF Piston	2.0	EA	0.00
11	4802201	Guide Rod	2.0	EA	5,819.00
12	4802301	Jaw Bushing Retainer	4.0	EA	530.00

Please visit <https://fusion.mcelroy.com/parts> to purchase parts or for more information.