



McElroy Manufacturing, Inc.  
The leader by design.  
Tulsa, Oklahoma U.S.A.

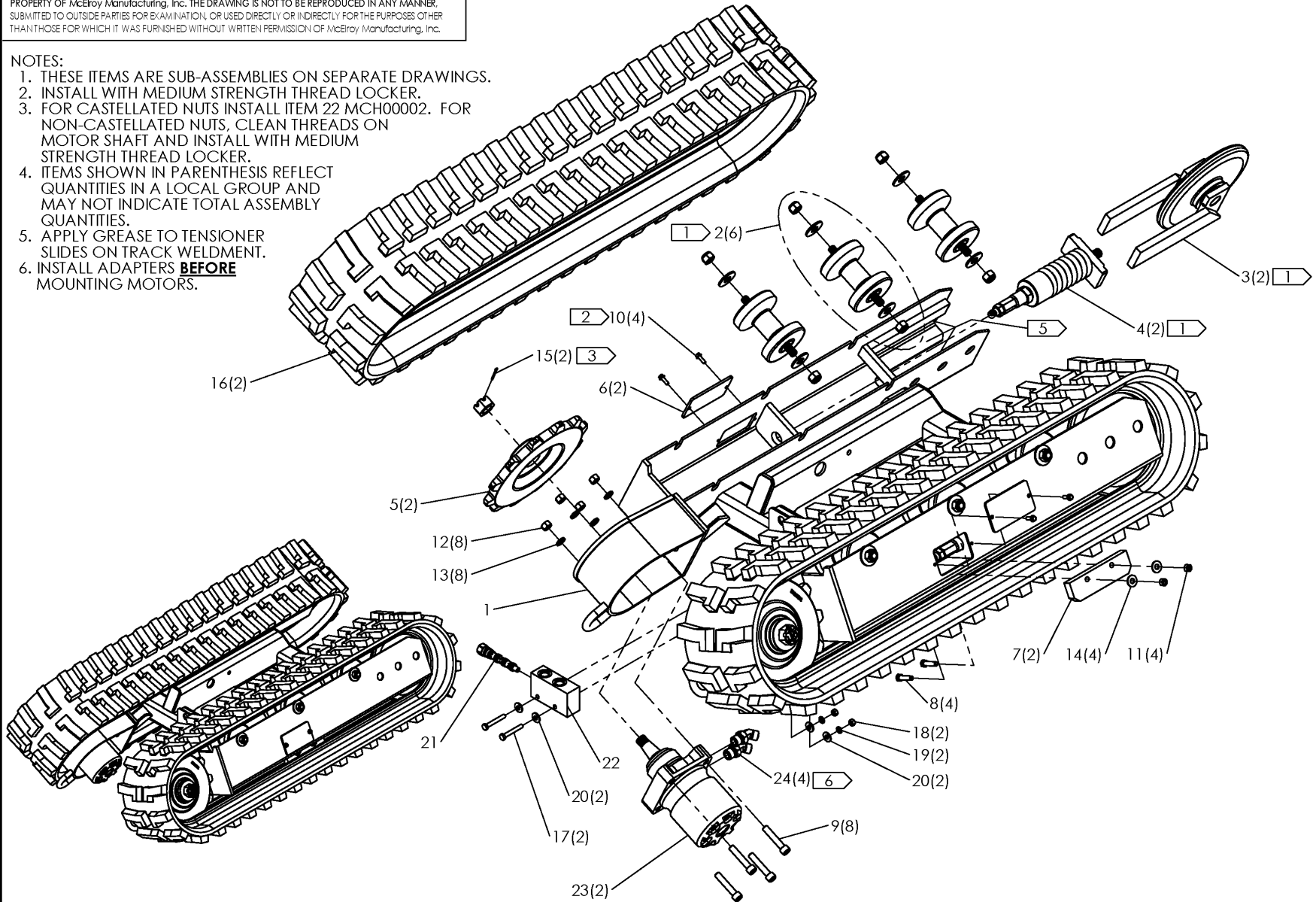
DRAWN: PJD    CHECK: BWJ    APPRVD: DWP    DATE: 9/30/10    SHT No: 1    REV No: A    PART No: 4838401

MegaMc™ PolyHorse™ TRACK ASSEMBLY

NOTE: THIS DRAWING AND THE INFORMATION CONTAINED THEREIN IS THE CONFIDENTIAL AND PROPRIETARY PROPERTY OF McElroy Manufacturing, Inc. THE DRAWING IS NOT TO BE REPRODUCED IN ANY MANNER, SUBMITTED TO OUTSIDE PARTIES FOR EXAMINATION, OR USED DIRECTLY OR INDIRECTLY FOR THE PURPOSES OTHER THAN THOSE FOR WHICH IT WAS FURNISHED WITHOUT WRITTEN PERMISSION OF McElroy Manufacturing, Inc.

NOTES:

1. THESE ITEMS ARE SUB-ASSEMBLIES ON SEPARATE DRAWINGS.
2. INSTALL WITH MEDIUM STRENGTH THREAD LOCKER.
3. FOR CASTELLATED NUTS INSTALL ITEM 22 MCH00002. FOR NON-CASTELLATED NUTS, CLEAN THREADS ON MOTOR SHAFT AND INSTALL WITH MEDIUM STRENGTH THREAD LOCKER.
4. ITEMS SHOWN IN PARENTHESIS REFLECT QUANTITIES IN A LOCAL GROUP AND MAY NOT INDICATE TOTAL ASSEMBLY QUANTITIES.
5. APPLY GREASE TO TENSIONER SLIDES ON TRACK WELDMENT.
6. INSTALL ADAPTERS **BEFORE** MOUNTING MOTORS.



## McElroy Manufacturing Parts List

**Part Number:** 4838401 MegaMc Polyhorse Track Assembly

**Part Number 4838401 Component List**

Item	Component	Description	Quantity	Unit	Price
1	4838501	Pipe Stand Track Wld	1.0	EA	0.00
2	T1200602	Idler Roller Assembly	6.0	EA	273.00
3	T1200603	Take Up Roller Assembly	2.0	EA	691.00
4	T1200604	Take Up Cylinder Assembly	2.0	EA	416.00
5	T1207002	Drive Sprocket	2.0	EA	154.00
6	T1207101	Access Plate	2.0	EA	54.96
7	T1207901	Return Guide	2.0	EA	40.18
8	MAB00066	3/8-16NCX1-1/2LG Hhcs	4.0	EA	0.66
9	MAC00145	1/2-13NCX2-1/2LG Shcs PL	8.0	EA	0.00
10	MAL00007	1/4-20NCX3/4LG Hwh TF Screw	4.0	EA	0.49
11	MBA00007	3/8-16NC Fnsh Hex Nut Stl PL	4.0	EA	0.29
12	MBA00009	1/2-13NC Fnsh Hex Nut Stl PL	8.0	EA	0.46
13	MBE00009	1/2 Reg Splt Lck Washer Stl PL	8.0	EA	0.18
14	MBF00007	3/8 TY 'a' Wide FL Wshr Stl PL	4.0	EA	0.11
15	MCH00002	1/8DIA X1-1/2LG Cotter Pin	2.0	EA	0.12
16	MDV00006	230X72X42 Rubber Track	2.0	EA	1,440.00
17	MAB00038	5/16-18NCX2-1/4LG Hhcs	2.0	EA	0.69
18	MBA00006	5/16-18NC Fnsh Hex Nut Stl PL	2.0	EA	0.33
19	MBE00006	5/16 Reg Splt Lck Wshr Stl PL	2.0	EA	0.11
20	MBF00006	5/16TY 'a' Wide FL Wshr Stl PL	4.0	EA	0.11
21	MEJ00052	Flow Divider Cartridge	1.0	EA	0.00
22	MEL00029	3PORT Flow Divider Manifold	1.0	EA	0.00
23	MEC00023	1-1/4TSHT,CNUT,22.2CID Hyd Mtr	2.0	EA	1,193.00
24	MFQ00019	8MSL/10MSAE Elbow 45	4.0	EA	0.00

Please visit <https://fusion.mcelroy.com/parts> to purchase parts or for more information.