



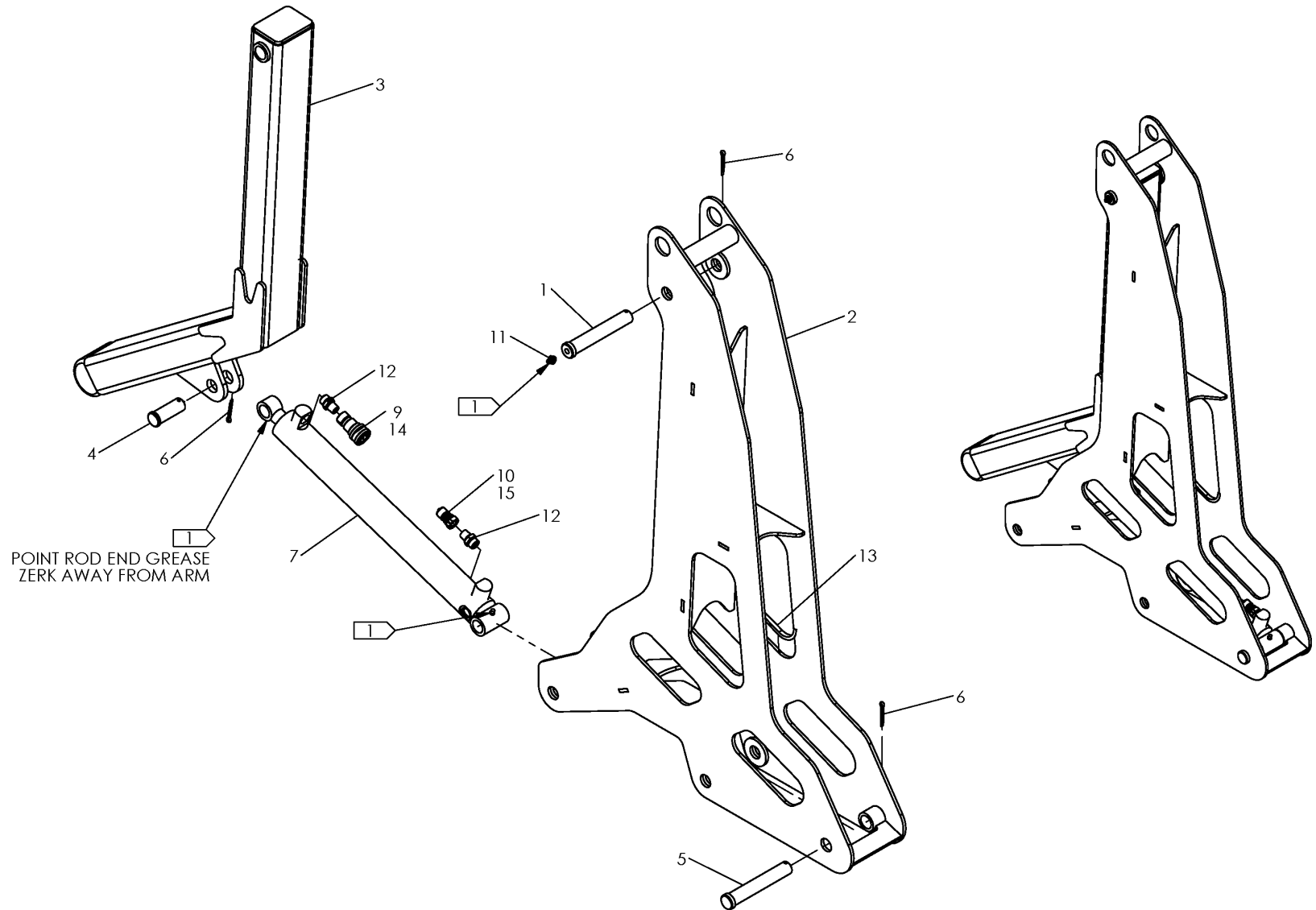
McElroy Manufacturing, Inc.
The leader by design.
Tulsa, Oklahoma U.S.A.

DRAWN: ERA	CHECK: TMT	APPRVD: DWP	DATE: 03/07/11	SHT No: 1	REV No: C	PART No: 4838901
------------	------------	-------------	----------------	-----------	-----------	------------------

MegaMc™ Polyhorse™ LOWERING ARM ASSEMBLY

NOTE: THIS DRAWING AND THE INFORMATION CONTAINED THEREIN IS THE CONFIDENTIAL AND PROPRIETARY PROPERTY OF McElroy Manufacturing, Inc. THE DRAWING IS NOT TO BE REPRODUCED IN ANY MANNER, SUBMITTED TO OUTSIDE PARTIES FOR EXAMINATION, OR USED DIRECTLY OR INDIRECTLY FOR THE PURPOSES OTHER THAN THOSE FOR WHICH IT WAS FURNISHED WITHOUT WRITTEN PERMISSION OF McElroy Manufacturing, Inc.

NOTES:
1. AFTER ASSEMBLY APPLY GREASE.



McElroy Manufacturing Parts List

Part Number: 4838901 MegaMc Polyhorse Lowering Arm Assembly

Part Number 4838901 Component List

Item	Component	Description	Quantity	Unit	Price
1	4838701	Clevis Pin Mod	1.0	EA	0.00
2	4840101	Lowering Arm Stanchion Wld	1.0	EA	1,987.00
3	4840201	Lowering Arm Wld	1.0	EA	0.00
4	MCF00023	1DIA X2-5/16 Grip Clv Pin PL	1.0	EA	13.87
5	MCF00052	1DIA X5-45/64 Grip Clv Pin PL	1.0	EA	0.00
6	MCH00003	3/16DIA X1-1/2LG Cotter Pin	3.0	EA	0.15
7	MEB00166	2B X 16S X 1-1/8R Hyd Cyl	1.0	EA	2,855.00
9	MFH00073	3/8FNPT Quick Disc Coupler	1.0	EA	177.00
10	MFH00074	3/8FNPT Quick Disc Nipple	1.0	EA	0.00
11	MFJ00002	1/8NPT Grease Zerk	1.0	EA	1.18
12	MFC00066	8MSAE/6MPT Adapter	2.0	EA	0.00
13	MDL00242	1/4" Edge Trim	0.75	FT	2.28
14	MFH00081	Rubber Dust Plug for MFH00073	1.0	EA	0.00
15	MFH00082	Rubber Dust Cap for MFH00074	1.0	EA	0.00

Please visit <https://fusion.mcelroy.com/parts> to purchase parts or for more information.