

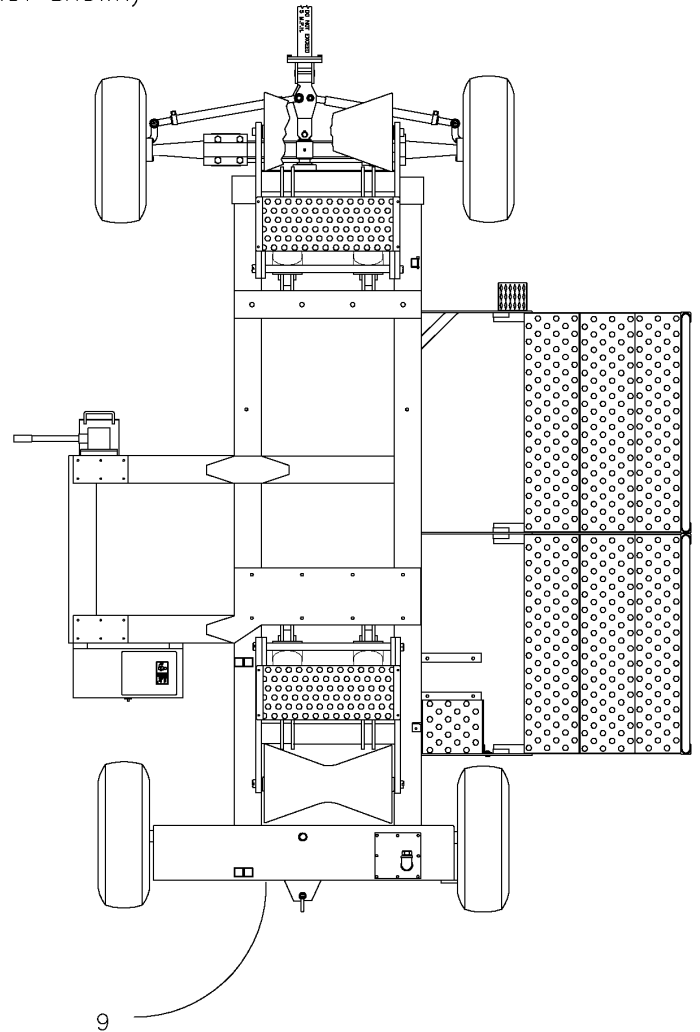
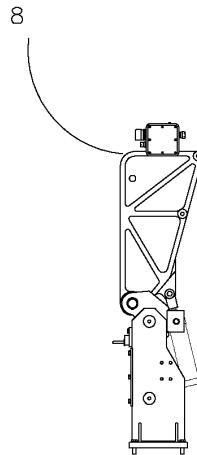
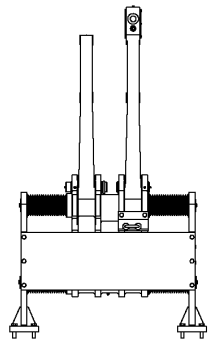
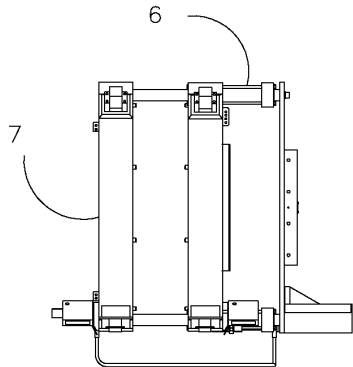
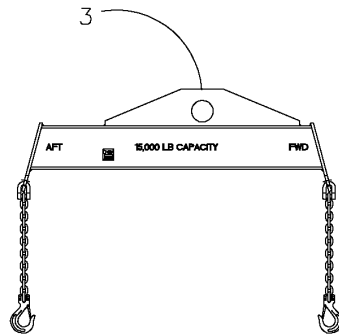
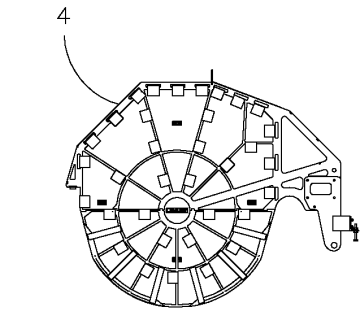


**McElroy Manufacturing, Inc.**  
 The leader by design.  
 Tulsa, Oklahoma U.S.A.

DRAWN: TLW	CHECK: TLW	APPRV'D: SWB	DATE: 03/26/99	DWG No:	SHT No:	REV No: F	PART No:
#2065 FUSION MACHINE GROUPING FOR 6300100 ASSEMBLIES							CAD No: _ASSY65

NOTE: THIS DRAWING AND THE INFORMATION CONTAINED THEREIN IS THE CONFIDENTIAL AND PROPRIETARY PROPERTY OF McElroy Manufacturing, Inc. THE DRAWING IS NOT TO BE REPRODUCED IN ANY MANNER, SUBMITTED OUTSIDE PARTIES FOR EXAMINATION, OR USED DIRECTLY OR INDIRECTLY FOR THE PURPOSES OTHER THAN THOSE FOR WHICH IT WAS FURNISHED WITHOUT WRITTEN PERMISSION OF McElroy Manufacturing, Inc.

- 1 - 6300301 #2065 HYDRAULIC SCHEMATIC (NOT SHOWN)
- 2 - 6300302 #2065 PLUMBING SCHEMATIC (NOT SHOWN)
- 3 - 6307902 #2065 SPREADER BAR ASSEMBLY
- 4 - 6321301 #2065 HEATER BAG ASSEMBLY
- 5 - 6318002 #2065 ELECTRICAL POWER ASSEMBLY 220-240V, 50/60Hz, 3Ph (NOT SHOWN)
- 6 - 4829001 #2065 HIGH FORCE CYLINDER ASSEMBLY SET
- 7 - 6319301 #2065 JAW SET ASSEMBLY
- 8 - 6319401 #2065 INDEXING CARRIAGE ASSEMBLY
- 9 - 6319501 #2065 ROLLING CHASSIS ASSEMBLY



## McElroy Manufacturing Parts List

**Part Number:** 6300102 No. 2065 HF 220-240V,50/60Hz,3Ph Fusion Machine Assembly

### Part Number 6300102 Component List

Item	Component	Description	Quantity	Unit	Price
1	6300301	2065 Hydraulic Schematic	1.0	EA	0.00
2	6300302	2065 Plumbing Schematic	1.0	EA	0.00
3	6307902	2065 Spreader Bar Assembly	1.0	EA	7,772.00
4	6321301	#2065 Heater Bag Assembly	1.0	EA	15,683.00
5	6318002	2065 220-240V, 50/60Hz, 3Ph Electrical Power Assembly	1.0	EA	0.00
6	4829001	1648 HF Cylinder Assembly Set	1.0	S2	28,727.00
7	6319301	2065 Jaw Set Assembly	1.0	EA	0.00
8	6319401	2065 Indexing Carriage Assembly	1.0	EA	0.00
9	6319501	2065 Rolling Chassis Assembly	1.0	EA	0.00

Please visit <https://fusion.mcelroy.com/parts> to purchase parts or for more information.

