



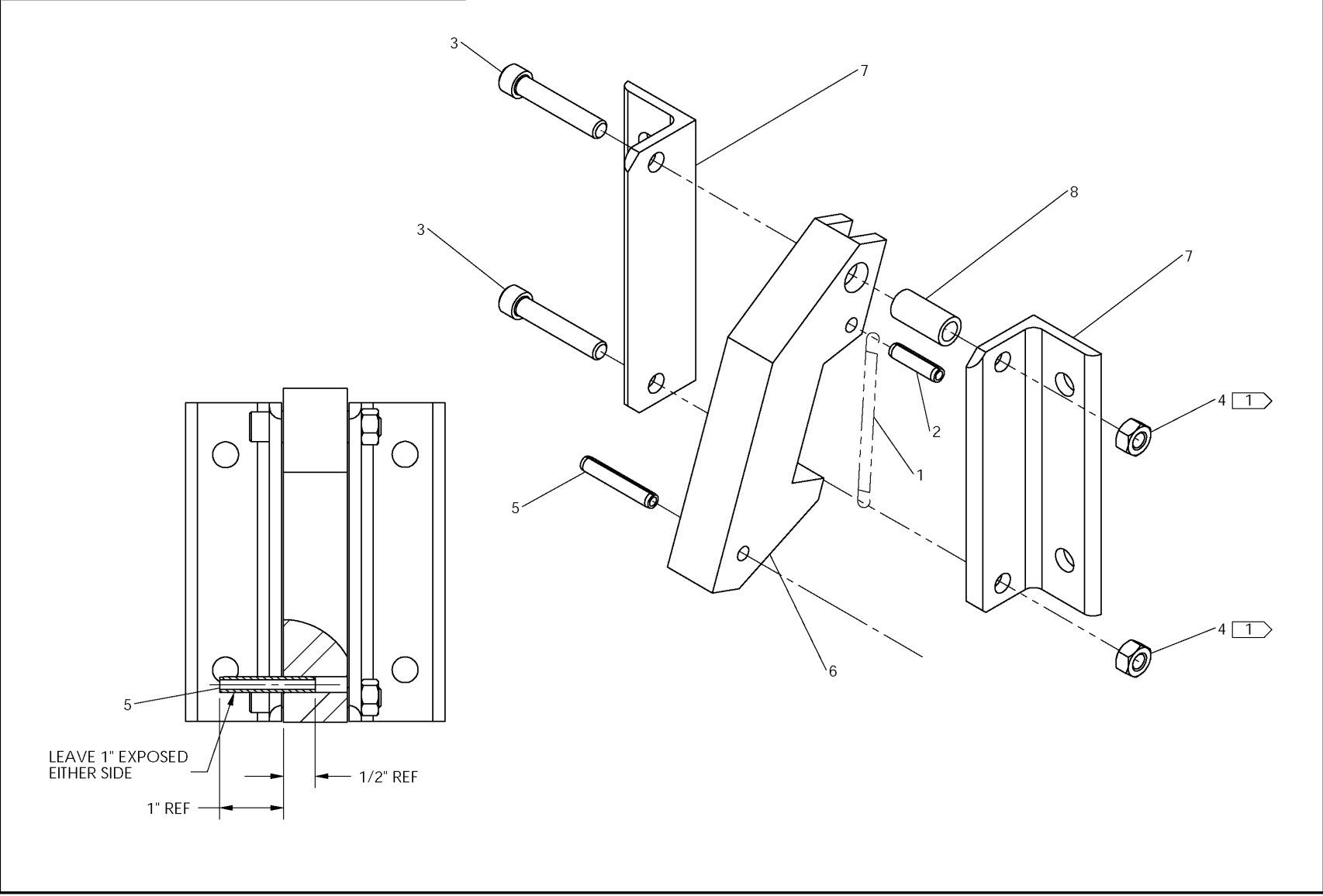
McElroy Manufacturing, Inc.  
The leader by design.  
Tulsa, Oklahoma U.S.A.

DRAWN: KWB	CHECK: BWP	APPRVD: MLM	DATE: 9/21/01	SHT No: 1	REV No: C	PART No: 6309801
------------	------------	-------------	---------------	-----------	-----------	------------------

OPERATOR PLATFORM LATCH ASSEMBLY

NOTE: THIS DRAWING AND THE INFORMATION CONTAINED THEREIN IS THE CONFIDENTIAL AND PROPRIETARY PROPERTY OF McElroy Manufacturing, Inc. THE DRAWING IS NOT TO BE REPRODUCED IN ANY MANNER, SUBMITTED TO OUTSIDE PARTIES FOR EXAMINATION, OR USED DIRECTLY OR INDIRECTLY FOR THE PURPOSES OTHER THAN THOSE FOR WHICH IT WAS FURNISHED WITHOUT WRITTEN PERMISSION OF McElroy Manufacturing, Inc.

NOTES:  
1. INSTALL WITH THREAD LOCKING COMPOUND.



## McElroy Manufacturing Parts List

**Part Number:** 6309801 Operator Platform Latch Assembly

### Part Number 6309801 Component List

Item	Component	Description	Quantity	Unit	Price
1	SW02102	Extension Spring	1.0	EA	6.89
2	MCG00008	1/4DIAX1LG Roll Pin	1.0	EA	0.36
3	MAC00078	5/16-18NCX1-3/4LG Shcs PL	2.0	EA	2.09
4	MBA00006	5/16-18NC Fnsh Hex Nut Stl PL	2.0	EA	0.33
5	MCG00011	1/4DIAX1-1/2LG Spring Pin Z PL	1.0	EA	0.54
6	6309802	Operator Platform Latch	1.0	EA	0.00
7	6309803	Operator Platform Latch Angle	2.0	EA	0.00
8	6309805	Operator Platform Latch Spacer	1.0	EA	0.00

Please visit <https://fusion.mcelroy.com/parts> to purchase parts or for more information.

