



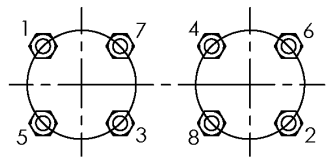
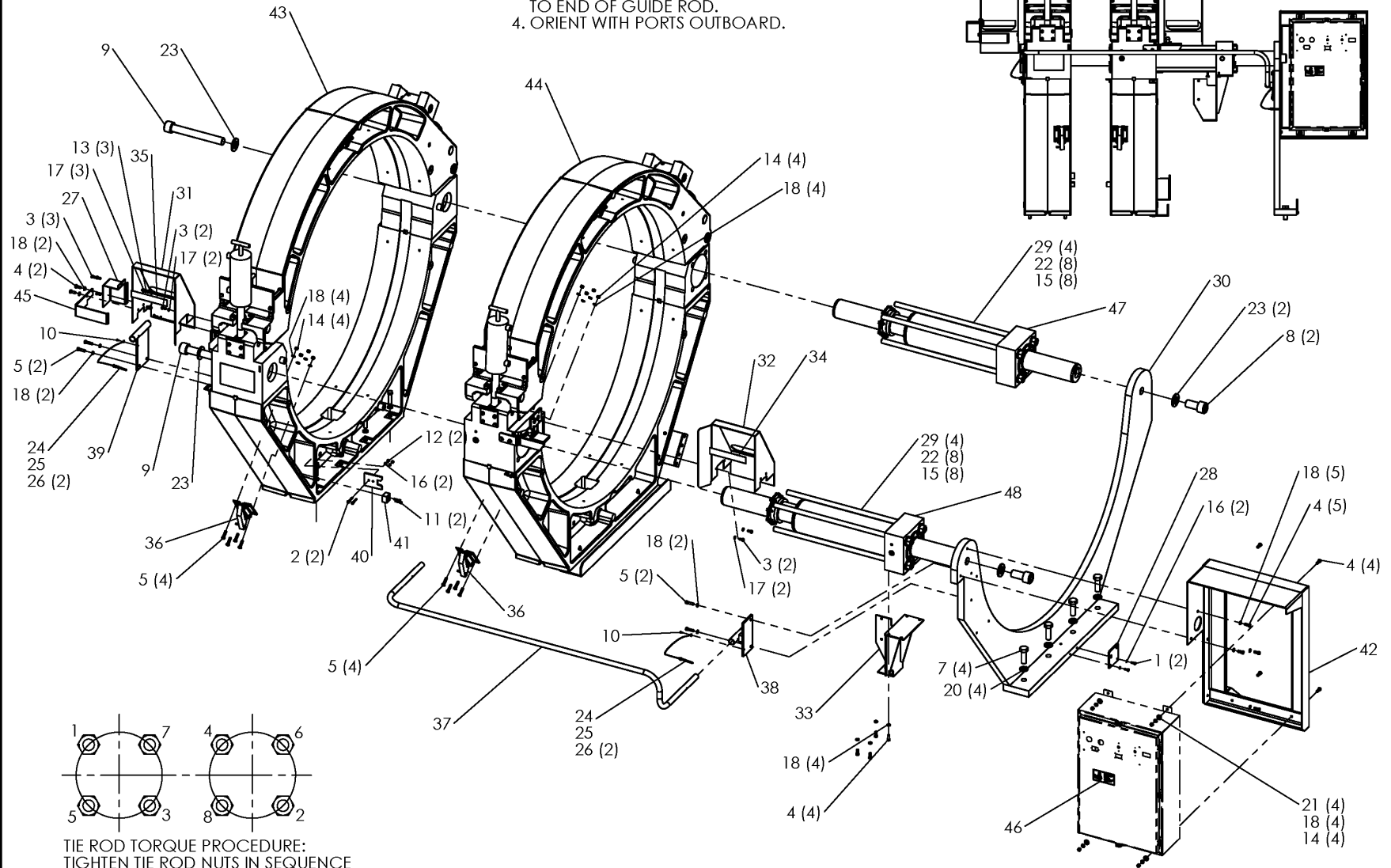
McElroy Manufacturing, Inc.  
The leader by design.  
Tulsa, Oklahoma U.S.A.

|            |            |             |               |           |           |                  |
|------------|------------|-------------|---------------|-----------|-----------|------------------|
| DRAWN: RLE | CHECK: BWP | APPRVD: SWB | DATE: 9/07/01 | SHT No: 1 | REV No: E | PART No: 6319301 |
|------------|------------|-------------|---------------|-----------|-----------|------------------|

#2065 JAW SET ASSEMBLY

NOTE: THIS DRAWING AND THE INFORMATION CONTAINED THEREIN IS THE CONFIDENTIAL AND PROPRIETARY PROPERTY OF McElroy Manufacturing, Inc. THE DRAWING IS NOT TO BE REPRODUCED IN ANY MANNER, SUBMITTED TO OUTSIDE PARTIES FOR EXAMINATION, OR USED DIRECTLY OR INDIRECTLY FOR THE PURPOSES OTHER THAN THOSE FOR WHICH IT WAS FURNISHED WITHOUT WRITTEN PERMISSION OF McElroy Manufacturing, Inc.

- NOTES:
1. SEE TIE ROD TORQUE PROCEDURE.
  - 2.
  3. INSTALL GUIDE ROD END WITH "FWD" IDENTIFICATION IN GUIDE ROD SUPPORT PLATE OR END WITH LONGEST DIMENSION FROM SNAP RING GROOVE TO END OF GUIDE ROD.
  4. ORIENT WITH PORTS OUTBOARD.



TIE ROD TORQUE PROCEDURE:  
TIGHTEN TIE ROD NUTS IN SEQUENCE  
8-10 Ft. Lbs. REPEAT 185-200 Ft. Lbs.

## McElroy Manufacturing Parts List

**Part Number:** 6319301 2065 Jaw Set Assembly

**Part Number 6319301 Component List**

| Item | Component | Description                                       | Quantity | Unit | Price    |
|------|-----------|---|----------|------|----------|
| 1    | MAB00003  | 1/4-20NCX3/4LG Hhcs                               | 2.0      | EA   | 0.31     |
| 2    | MAB00007  | 1/4-20NCX1-3/4LG Hhcs                             | 2.0      | EA   | 0.46     |
| 3    | MAB00032  | 5/16-18NCX3/4LG Hhcs                              | 7.0      | EA   | 0.44     |
| 4    | MAB00064  | 3/8-16NCX1LG Hhcs                                 | 15.0     | EA   | 0.51     |
| 5    | MAB00066  | 3/8-16NCX1-1/2LG Hhcs                             | 12.0     | EA   | 0.66     |
| 6    | MAB00083  | 5/8-11NCX2-1/2LG Hhcs GR8                         | 8.0      | EA   | 0.00     |
| 7    | MAB00085  | 1-8NCX3LG Hhcs GR8                                | 4.0      | EA   | 13.13    |
| 8    | MAC00225  | 1-1/2-6NCX3LG Shcs (Effective 10/5/01 to 3/31/14) | 2.0      | EA   | 0.00     |
| 8    | MAC00229  | 1-1/2-6NCX3LG Shcs PL                             | 2.0      | EA   | 0.00     |
| 9    | MAC00238  | 1-1/2-6NCX12LG Shcs (Effective 10/5/01 to 9/1/10) | 2.0      | EA   | 0.00     |
| 9    | MAC00239  | 1-1/2-6NCX12LG Shcs PL                            | 2.0      | EA   | 0.00     |
| 10   | MAH00036  | #6-32NCX3/8LG Hwh TC Scr                          | 2.0      | EA   | 0.29     |
| 11   | MAH00044  | 1/4-20NCX1-1/4LG Shcs SS                          | 2.0      | EA   | 0.59     |
| 12   | MBA00005  | 1/4-20NC Fhsh Hex Nut Stl PL                      | 2.0      | EA   | 0.32     |
| 13   | MBA00006  | 5/16-18NC Fhsh Hex Nut Stl PL                     | 3.0      | EA   | 0.33     |
| 14   | MBA00007  | 3/8-16NC Fhsh Hex Nut Stl PL                      | 12.0     | EA   | 0.29     |
| 15   | MBA00055  | 1-14NS Fhsh Hex Nut GR8 PL                        | 16.0     | EA   | 0.00     |
| 16   | MBE00005  | 1/4 Reg Splt Lck Washer Stl PL                    | 4.0      | EA   | 0.10     |
| 17   | MBE00006  | 5/16 Reg Splt Lck Wshr Stl PL                     | 7.0      | EA   | 0.11     |
| 18   | MBE00007  | 3/8 Reg Splt Lck Wshr Stl PL                      | 27.0     | EA   | 0.12     |
| 19   | MBE00011  | 5/8 Reg Splt Lck Washer Stl PL                    | 8.0      | EA   | 0.63     |
| 20   | MBE00014  | 1 Reg Splt Lck Washer Stl PL                      | 4.0      | EA   | 1.57     |
| 21   | MBF00007  | 3/8 TY 'a' Wide FL Wshr Stl PL                    | 4.0      | EA   | 0.11     |
| 22   | MBG00011  | 1 Flat Washer Stl                                 | 16.0     | EA   | 2.48     |
| 23   | MBG00039  | 1-1/2" Flat Washer Black                          | 4.0      | EA   | 0.00     |
| 24   | MCE00001  | 1/4DIA X1.60 Grip Detent Pin                      | 2.0      | EA   | 11.36    |
| 25   | MJQ00025  | .045 Dia Coated Cable                             | 1.83     | FT   | 1.12     |
| 26   | MJQ00026  | Ferrule   | 4.0      | EA   | 1.01     |
| 27   | 6301602   | Press Gauge Protective Shield                     | 1.0      | EA   | 450.00   |
| 28   | 6301801   | Fwd Pipe Lift Bulkhead Ftg Bkt                    | 1.0      | EA   | 0.00     |
| 29   | 6303801   | Tie Rod   | 8.0      | EA   | 380.00   |
| 30   | 6306001   | Guide Rod Support Plate                           | 1.0      | EA   | 0.00     |
| 31   | 6306805   | Fixed Jaw Valve Stack Cover                       | 1.0      | EA   | 1,624.00 |
| 32   | 6306806   | Movable Jaw Valve Stack Cover                     | 1.0      | EA   | 1,813.00 |
| 33   | 6306902   | Manifold Mounting Bracket Wld                     | 1.0      | EA   | 0.00     |
| 34   | 6308302   | Label   | 1.0      | EA   | 77.24    |
| 35   | 6308303   | Fxd Jaws Oper/cls/clmp/unclmp,                    | 1.0      | EA   | 113.00   |
| 36   | 6309801   | Operator Platform Latch Assembly                  | 2.0      | EA   | 0.00     |
| 37   | 6310101   | Safety Rail                                       | 1.0      | EA   | 1,177.00 |
| 38   | 6310201   | Safety Rail Mounting Bracket                      | 1.0      | EA   | 0.00     |
| 39   | 6310202   | Safety Rail Mounting Bracket                      | 1.0      | EA   | 0.00     |
| 40   | 6310401   | Safety Guard Storage Bracket                      | 1.0      | EA   | 0.00     |
| 41   | 6310501   | Safety Guard Hold Down Block                      | 1.0      | EA   | 0.00     |
| 42   | 6311001   | Elec Control Box Mtg Bkt Wld                      | 1.0      | EA   | 2,792.00 |
| 43   | 6319001   | 2065 Fixed Jaw Assembly                           | 1.0      | EA   | 0.00     |
| 44   | 6319101   | 2065 Movable Jaw Assembly                         | 1.0      | EA   | 0.00     |
| 45   | 2424301   | Indexing Valve Guard                              | 1.0      | EA   | 0.00     |
| 46   | 816342    | Safety Instr Manual Label                         | 1.0      | EA   | 3.16     |
| 47   | 6304601   | Pivot Side Cylinder Cap                           | 1.0      | EA   | 7,250.00 |
| 48   | 6304602   | Clamp Side Cylinder Cap                           | 1.0      | EA   | 5,100.00 |

Please visit <https://fusion.mcelroy.com/parts> to purchase parts or for more information.