



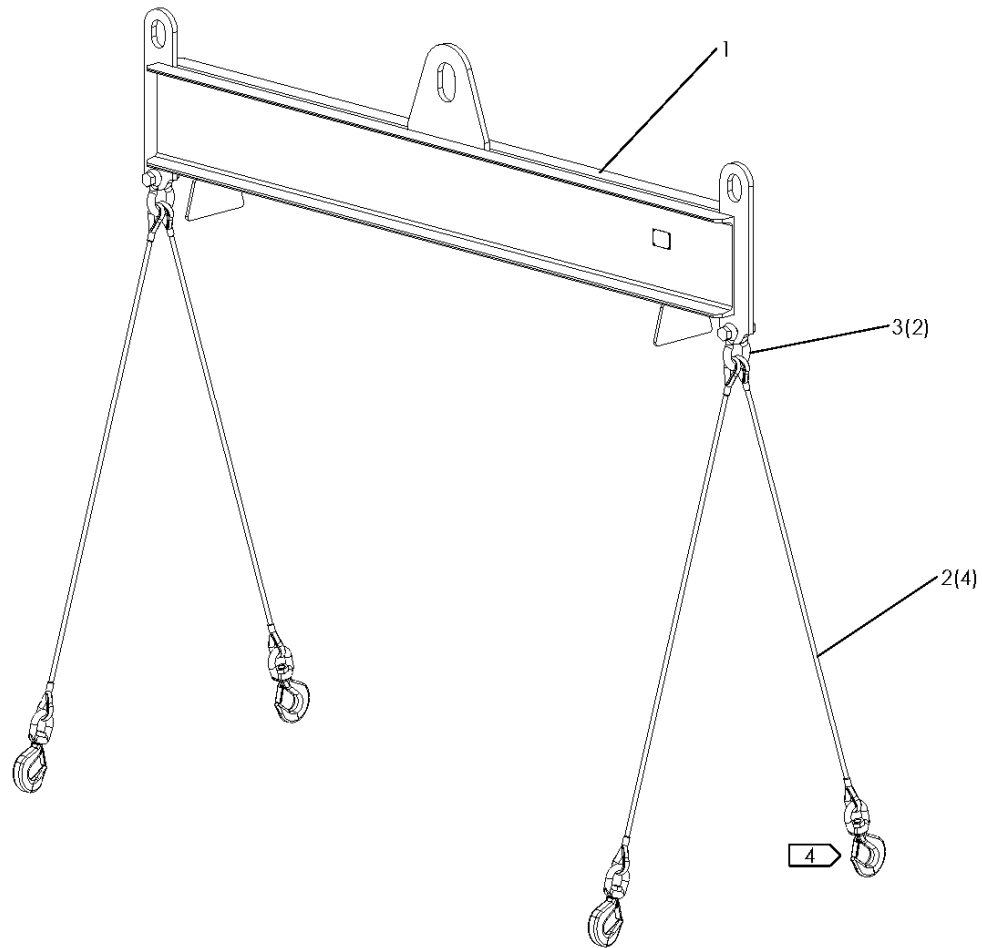
McElroy Manufacturing, Inc.  
The leader by design.  
Tulsa, Oklahoma U.S.A.

DRAWN: FAW CHECK: JAL APPRVD: DWP DATE: 7/01/08 SHT No: 1 REV No: D PART No: 6507901

1600mm 4 JAW SPREADER BAR ASSEMBLY

NOTE: THIS DRAWING AND THE INFORMATION CONTAINED THEREIN IS THE CONFIDENTIAL AND PROPRIETARY PROPERTY OF McElroy Manufacturing, Inc. THE DRAWING IS NOT TO BE REPRODUCED IN ANY MANNER, SUBMITTED TO OUTSIDE PARTIES FOR EXAMINATION, OR USED DIRECTLY OR INDIRECTLY FOR THE PURPOSES OTHER THAN THOSE FOR WHICH IT WAS FURNISHED WITHOUT WRITTEN PERMISSION OF McElroy Manufacturing, Inc.

- NOTES:
1. THIS SPREADER BAR ASSEMBLY COMPLIES WITH ASME B30.20 AND B30.26
  2. ASME BTH-1 DESIGN CATEGORY B, SERVICE CLASS 0.
  3. THIS ASSEMBLY IS PROOF TESTED AND CERTIFIED TO LIFT 13 TONS AS SPECIFIED ON McELROY NAMEPLATE ATTACHED TO BEAM
  4. FOR REPLACEMENT OF LATCH KIT ONLY ORDER MJD00042.



UNLESS NOTED OTHERWISE (3) PLC. DIMS .XXX = ±0.005" (2) PLC. DIMS .XX = ±0.010" FRACTIONAL DIMS = ±1/32" ANGULAR DIMS = ±1/4° REMOVE ALL BURRS BREAK ALL SHARP EDGES STAMP OR ETCH P/N ON ALL DETAIL PARTS

MMI NUMBER	ITEM	QTY.	SIZE AND DESCRIPTION

## McElroy Manufacturing Parts List

**Part Number:** 6507901 1600mm 4 Jaw Spreader Bar Assembly

### Part Number 6507901 Component List

Item	Component	Description	Quantity	Unit	Price
1	6507902	Spreader Bar Wld	1.0	EA	0.00
2	6507909	Sling	4.0	EA	1,367.00
3	MJD00081	1-1/8" Bolt Type Shackle	2.0	EA	372.00

Please visit <https://fusion.mcelroy.com/parts> to purchase parts or for more information.

