



McElroy Manufacturing, Inc.

The leader by design.

Tulsa, Oklahoma U.S.A.

DRAWN: FAW

CHECK: DWP

APPR'VD: JRP

DATE: 8/05/09

SHT No: 2

REV No: H

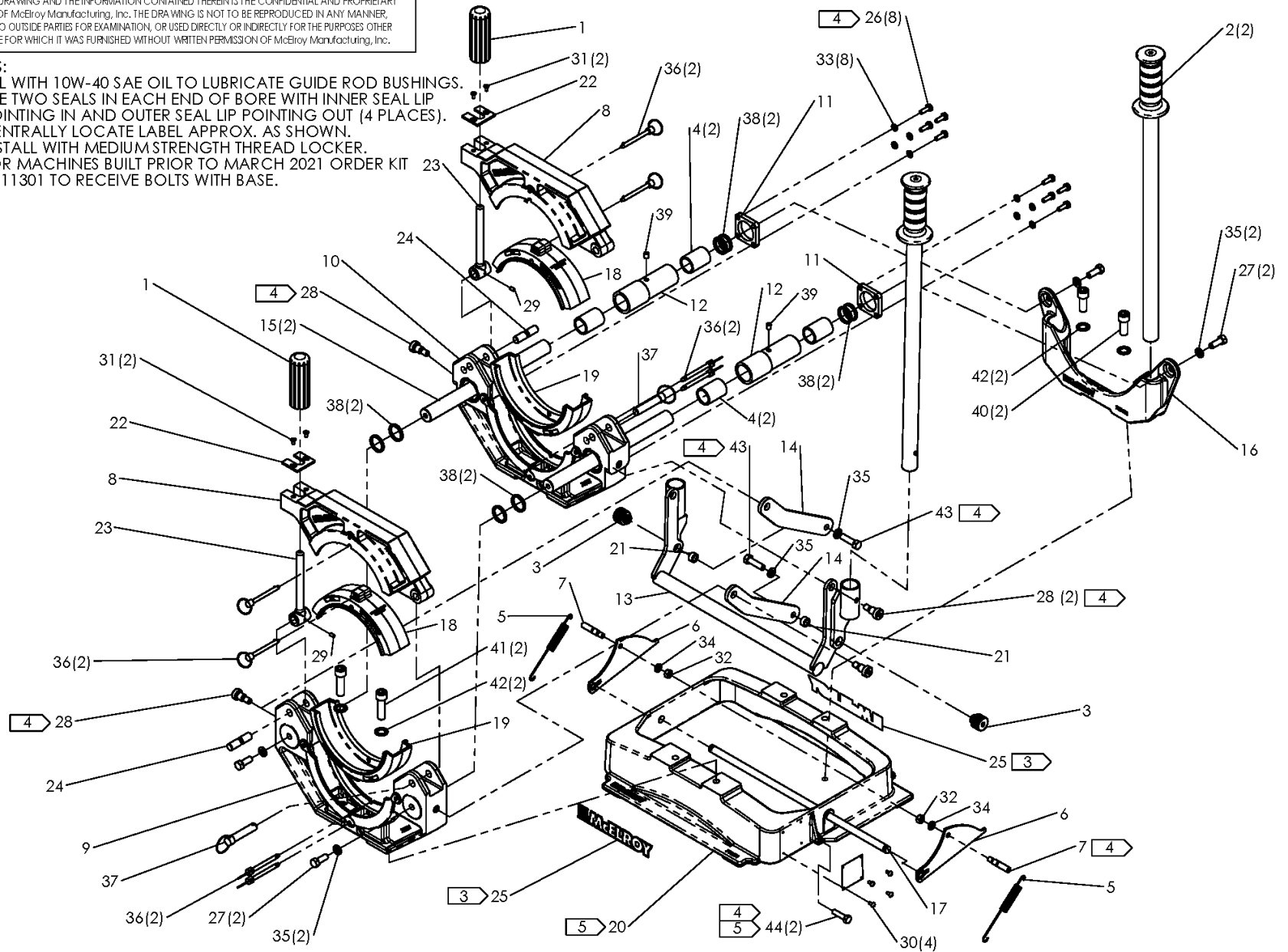
PART No: 708502

26 DIPS FUSION MACHINE ASSEMBLY

NOTE: THIS DRAWING AND THE INFORMATION CONTAINED THEREIN IS THE CONFIDENTIAL AND PROPRIETARY PROPERTY OF McElroy Manufacturing, Inc. THE DRAWING IS NOT TO BE REPRODUCED IN ANY MANNER, SUBMITTED TO OUTSIDE PARTIES FOR EXAMINATION, OR USED DIRECTLY OR INDIRECTLY FOR THE PURPOSES OTHER THAN THOSE FOR WHICH IT WAS FURNISHED WITHOUT WRITTEN PERMISSION OF McElroy Manufacturing, Inc.

NOTES:

1. FILL WITH 10W-40 SAE OIL TO LUBRICATE GUIDE ROD BUSHINGS.
2. USE TWO SEALS IN EACH END OF BORE WITH INNER SEAL LIP POINTING IN AND OUTER SEAL LIP POINTING OUT (4 PLACES).
3. CENTRALLY LOCATE LABEL APPROX. AS SHOWN.
4. INSTALL WITH MEDIUM STRENGTH THREAD LOCKER.
5. FOR MACHINES BUILT PRIOR TO MARCH 2021 ORDER KIT A711301 TO RECEIVE BOLTS WITH BASE.



McElroy Manufacturing Parts List

Part Number: 708502 26 DIPS Fusion Machine Assembly



26dips f/m assy

Part Number 708502 Component List

Item	Component	Description	Quantity	Unit	Price
1	A829101	Long Clamp Knob Assembly	2.0	EA	92.69
2	402801	24Long Lever Handle Assembly	2.0	EA	52.10
3	421201	14 Yoke Lock Pivot	2.0	EA	28.59
4	421701	Guide Rod Bushing Mod	4.0	EA	25.63
5	421801	Pivot Locking Spring	2.0	EA	16.41
6	431601	Lock Cam	2.0	EA	48.52
7	433501	PB 14 Spring Post	2.0	EA	7.88
8	708603	6DIPS Upper Jaw	2.0	EA	400.00
9	708704	6DIPS Lower Inner Fixed Jaw	1.0	EA	700.00
10	708705	6DIPS Lower Inner Movable Jaw	1.0	EA	735.00
11	708801	Retainer Plate	2.0	EA	40.54
12	708901	Guide Bushing Tube	2.0	EA	73.57
13	709001	Yoke Weldment	1.0	EA	451.00
14	709101	Link	2.0	EA	54.72
15	709201	Guide Rod	2.0	EA	158.00
16	709402	Guide Rod Support Plate	1.0	EA	271.00
17	709501	17-5/16" Lock Cam Shaft	1.0	EA	57.98
18	709303	6IPS/6DIPS Upper Insert	2.0	EA	134.00
18	709307	6IPS/6DIPS Insert Set (Effective to 8/23/10)	1.0	S4	510.00
19	709305	6IPS/6DIPS Lower Insert	2.0	EA	134.00
20	711301	Base	1.0	EA	713.00
21	711401	Yoke Spacer	2.0	EA	8.32
22	801701	Clamp Pad	2.0	EA	20.66
23	803901	Clamp Eyebolt	2.0	EA	97.38
24	808501	Clamp Pivot Pin	2.0	EA	16.45
25	8163118	Small McElroy Branding Label	2.0	EA	5.18
26	MAB00003	1/4-20NCX3/4LG Hhcs	8.0	EA	0.31
26	MAB00011	1/4-20NCX2-3/4LG Hhcs (Effective to 10/13/09)	8.0	EA	0.49
27	MAB00077	3/8-16NCX1LG Hhcs GR8	4.0	EA	0.70
28	MAF00041	1/2DIA X1/2LG Skt HD Shldr Scr	4.0	EA	3.49
29	MAG00002	#10-24NCX3/8LG Skt Set Scr	2.0	EA	1.27

McElroy Manufacturing Parts List

Part Number: 708502 26 DIPS Fusion Machine Assembly

30	MAH00093	#4-40NCX3/16LG Lock Scr	4.0 EA	0.32
31	MAN00001	#10-24NCX3/8 LG Fhscs SS	4.0 EA	0.41
32	MBA00006	5/16-18NC Fnsh Hex Nut Stl PL	2.0 EA	0.33
33	MBE00005	1/4 Reg Splt Lck Washer Stl PL	8.0 EA	0.10
34	MBE00006	5/16 Reg Splt Lck Wshr Stl PL	2.0 EA	0.11
35	MBE00007	3/8 Reg Splt Lck Wshr Stl PL	6.0 EA	0.12
36	MCE00002	1/4DIA X2.00 Grip Detent Pin (Effective to 10/13/09)	8.0 EA	10.72
36	MCE00044	1/4DIA X2.25 Grip Detent Pin	8.0 EA	9.92
37	MCE00006	1/2DIA X2.00 Grip Detent Pin	2.0 EA	12.47
38	MDL00051	1.00 ID X 1.25 OD 9815 Seal	8.0 EA	10.35
39	MFA00001	1/16-27 Soc Pipe Plug	2.0 EA	1.08
40	MAC00140	1/2-13NCX1-1/4LG Shcs PL	2.0 EA	3.10
41	MAC00142	1/2-13NCX1-3/4LG Shcs PL	2.0 EA	4.35
42	MBE00021	1/2 Int T Lck Washer Stl PL	4.0 EA	0.12
43	MAB00193	3/8-16NCX1-3/8LG Hhcs GR8 (Effective 10/28/11 to 8/3/14)	2.0 EA	1.43
43	MAB00226	3/8-16NCX1-3/4LG Hhcs GR8	2.0 EA	0.84
44	MAB00035	5/16-18NCX1-1/2LG Hhcs	2.0 EA	0.51

Please visit <https://fusion.mcelroy.com/parts> to purchase parts or for more information.