



McElroy Manufacturing, Inc.  
The leader by design.  
Tulsa, Oklahoma U.S.A.

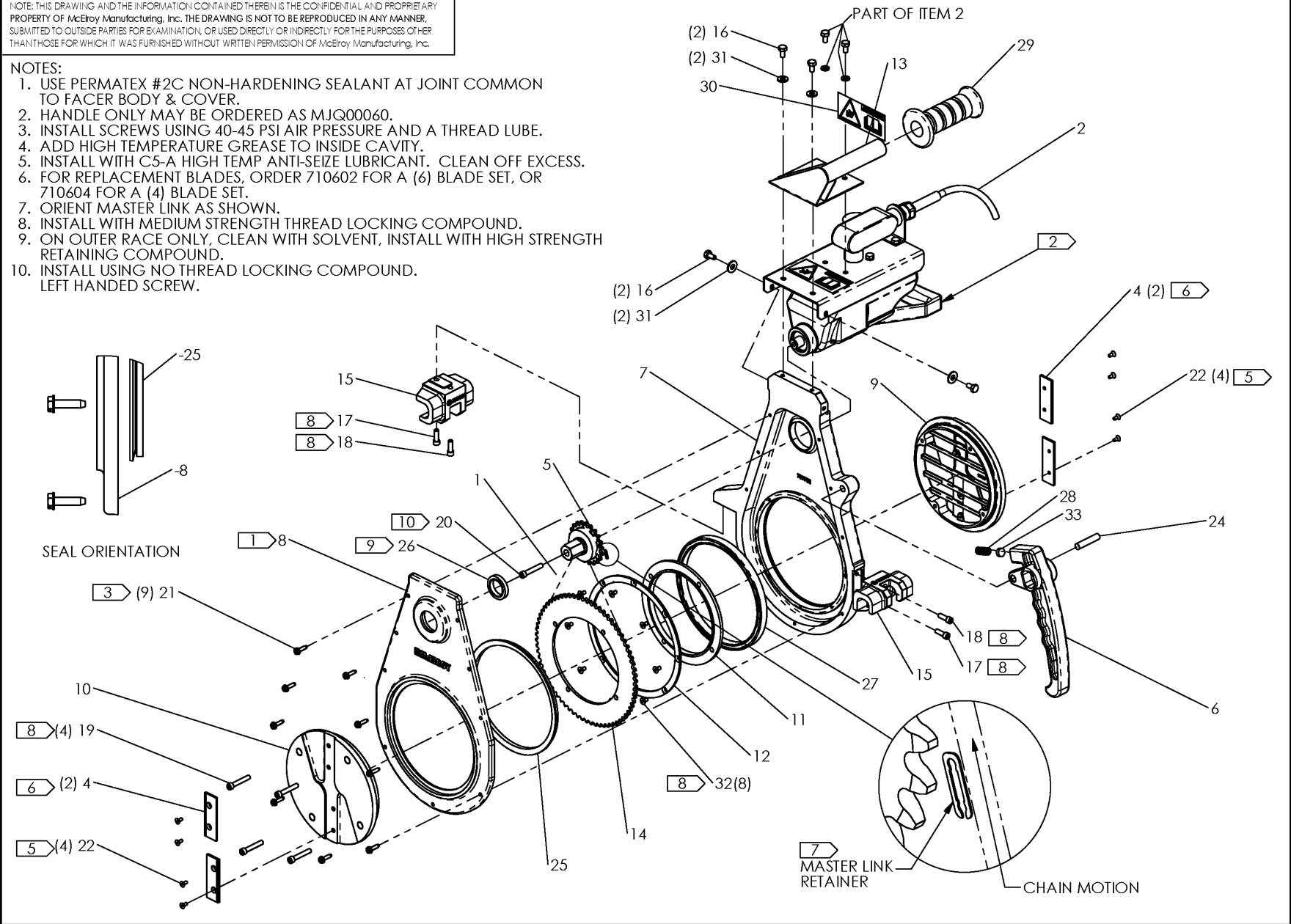
DRAWN: FAW CHECK: DWP APPRVD: JRP DATE: 8/05/09 SHT No: 1 REV No: T PART No: 709601

26/180 FACER ASSEMBLY 120V, 50/60Hz, 1Ph

NOTE: THIS DRAWING AND THE INFORMATION CONTAINED THEREIN IS THE CONFIDENTIAL AND PROPRIETARY PROPERTY OF McElroy Manufacturing, Inc. THE DRAWING IS NOT TO BE REPRODUCED IN ANY MANNER, SUBMITTED TO OUTSIDE PARTIES FOR EXAMINATION, OR USED DIRECTLY OR INDIRECTLY FOR THE PURPOSES OTHER THAN THOSE FOR WHICH IT WAS FURNISHED WITHOUT WRITTEN PERMISSION OF McElroy Manufacturing, Inc.

NOTES:

1. USE PERMATEX #2C NON-HARDENING SEALANT AT JOINT COMMON TO FACER BODY & COVER.
2. HANDLE ONLY MAY BE ORDERED AS MJQ00060.
3. INSTALL SCREWS USING 40-45 PSI AIR PRESSURE AND A THREAD LUBE.
4. ADD HIGH TEMPERATURE GREASE TO INSIDE CAVITY.
5. INSTALL WITH C5-A HIGH TEMP ANTI-SEIZE LUBRICANT. CLEAN OFF EXCESS.
6. FOR REPLACEMENT BLADES, ORDER 710602 FOR A (6) BLADE SET, OR 710604 FOR A (4) BLADE SET.
7. ORIENT MASTER LINK AS SHOWN.
8. INSTALL WITH MEDIUM STRENGTH THREAD LOCKING COMPOUND.
9. ON OUTER RACE ONLY. CLEAN WITH SOLVENT, INSTALL WITH HIGH STRENGTH RETAINING COMPOUND.
10. INSTALL USING NO THREAD LOCKING COMPOUND. LEFT HANDED SCREW.



## McElroy Manufacturing Parts List

**Part Number:** 709601 26/180mm 120V Facer Assembly

**Part Number 709601 Component List**

Item	Component	Description	Quantity	Unit	Price
1	A710501	Facer Chain Assy	1.0	EA	29.19
2	A424101	#14 BM Facer Motor Assembly 100-120V, 50/60Hz, 1Ph	1.0	EA	1,349.00
4	710601	Facer Blade 3LG	4.0	EA	76.23
5	417202	Driver Sprocket Weldment	1.0	EA	122.00
6	433002	Latch Handle	1.0	EA	135.00
7	709702	Facer Body	1.0	EA	803.00
8	709802	Facer Cover	1.0	EA	319.00
9	709902	Replaced by A718301 (Effective to 3/17/15)	1.0	EA	0.00
9	717403	Pocketed Tapped Blade Holder	1.0	EA	271.00
10	709903	Replaced by A718301 (Effective to 3/17/15)	1.0	EA	0.00
10	717503	Pocketed C'bore Blade Holder	1.0	EA	263.00
11	710001	Spacer Ring	1.0	EA	233.00
12	710101	Clamping Ring	1.0	EA	61.26
13	710301	Facer Handle Weldment	1.0	EA	155.00
14	710401	Driven Sprocket	1.0	EA	231.00
15	883704	Replaced by A883706 OR A717301 (Effective to 3/17/15)	2.0	EA	0.00
15	883706	26 HT Guide Rod Bracket	2.0	EA	105.00
16	MAB00002	1/4-20NCX1/2LG Hhcs	4.0	EA	0.18
17	MAC00053	1/4-20NCX3/4LG Shcs PL	2.0	EA	0.49
18	MAC00055	1/4-20NCX1LG Shcs PL	2.0	EA	0.25
19	MAC00056	1/4-20NCX1-1/4LG Shcs PL (Effective to 3/17/15)	4.0	EA	1.18
19	MAC00444	1/4-20NCX1-1/2LG Shcs Stl PL	4.0	EA	0.68
20	MAC00065	L/h 1/4-20NCX1-1/2LG Shcs PL	1.0	EA	3.69
21	MAH00037	#10-24NCX3/4LG Hwh TF Screw	11.0	EA	0.35
22	MAH00074	#8-32NCX3/8LG Fhscs SS	8.0	EA	0.29
23	MBF00005	1/4 TY 'a' Wide FL Wshr Stl PL (Effective 10/13/09 to 2/7/12)	2.0	EA	0.11
23	MBG00044	1/4 Type 'an' Flat Wshr Stl PL (Effective 2/8/12 to 1/30/14)	2.0	EA	0.49
24	MCK00017	3/8DIA X1-3/4LG Lock Pin Stl PL	1.0	EA	3.45
25	MDL00260	V-ring Seal	1.0	EA	91.91
26	MDM00087	Ball Bearing	1.0	EA	24.79
27	MDM00305	Bearing	1.0	EA	1,092.00
28	MJE00008	Die Spring	1.0	EA	6.69
29	MJJ00009	1" Black Gloss Hand Grip	1.0	EA	3.86
30	410902	Danger Not Expln Proof Label	1.0	EA	1.80
31	MBE00005	1/4 Reg Splt Lck Washer Stl PL	4.0	EA	0.10
31	MBF00022	1/4 Flat Washer SS (Effective 10/13/09 to 10/7/10)	2.0	EA	0.27
32	MAD00030	#10-24NCX3/8LG Fhscs PL	8.0	EA	0.39
33	710901	Preload Spacer	1.0	EA	3.38

Please visit <https://fusion.mcelroy.com/parts> to purchase parts or for more information.