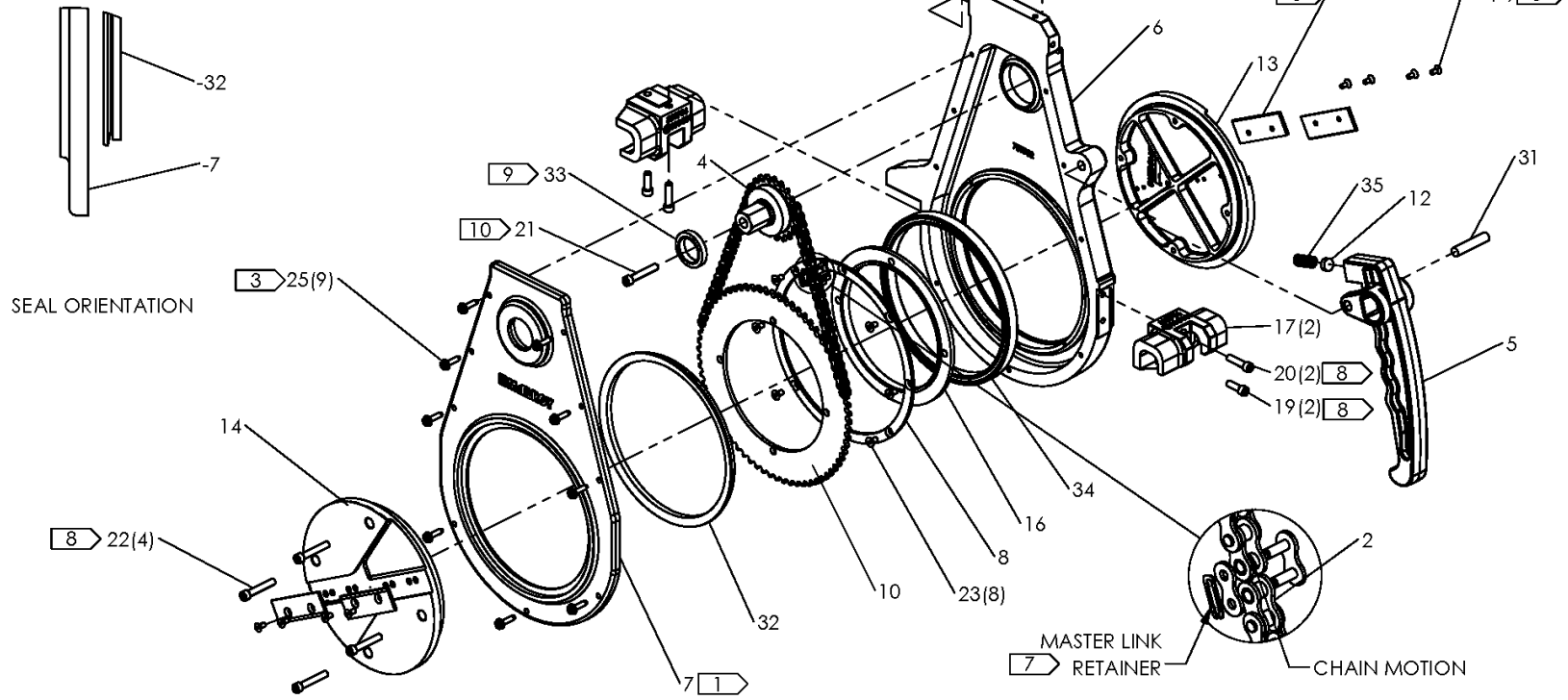


Acrobat™ 26 120V FACER ASSEMBLY, 50/60 Hz, 1Ph, NEMA 5-15 PLUG

NOTE: THIS DRAWING AND THE INFORMATION CONTAINED THEREIN IS THE CONFIDENTIAL AND PROPRIETARY PROPERTY OF McElroy Manufacturing, Inc. THE DRAWING IS NOT TO BE REPRODUCED IN ANY MANNER, SUBMITTED TO OUTSIDE PARTIES FOR EXAMINATION, OR USED DIRECTLY OR INDIRECTLY FOR THE PURPOSES OTHER THAN THOSE FOR WHICH IT WAS FURNISHED WITHOUT WRITTEN PERMISSION OF McElroy Manufacturing, Inc.

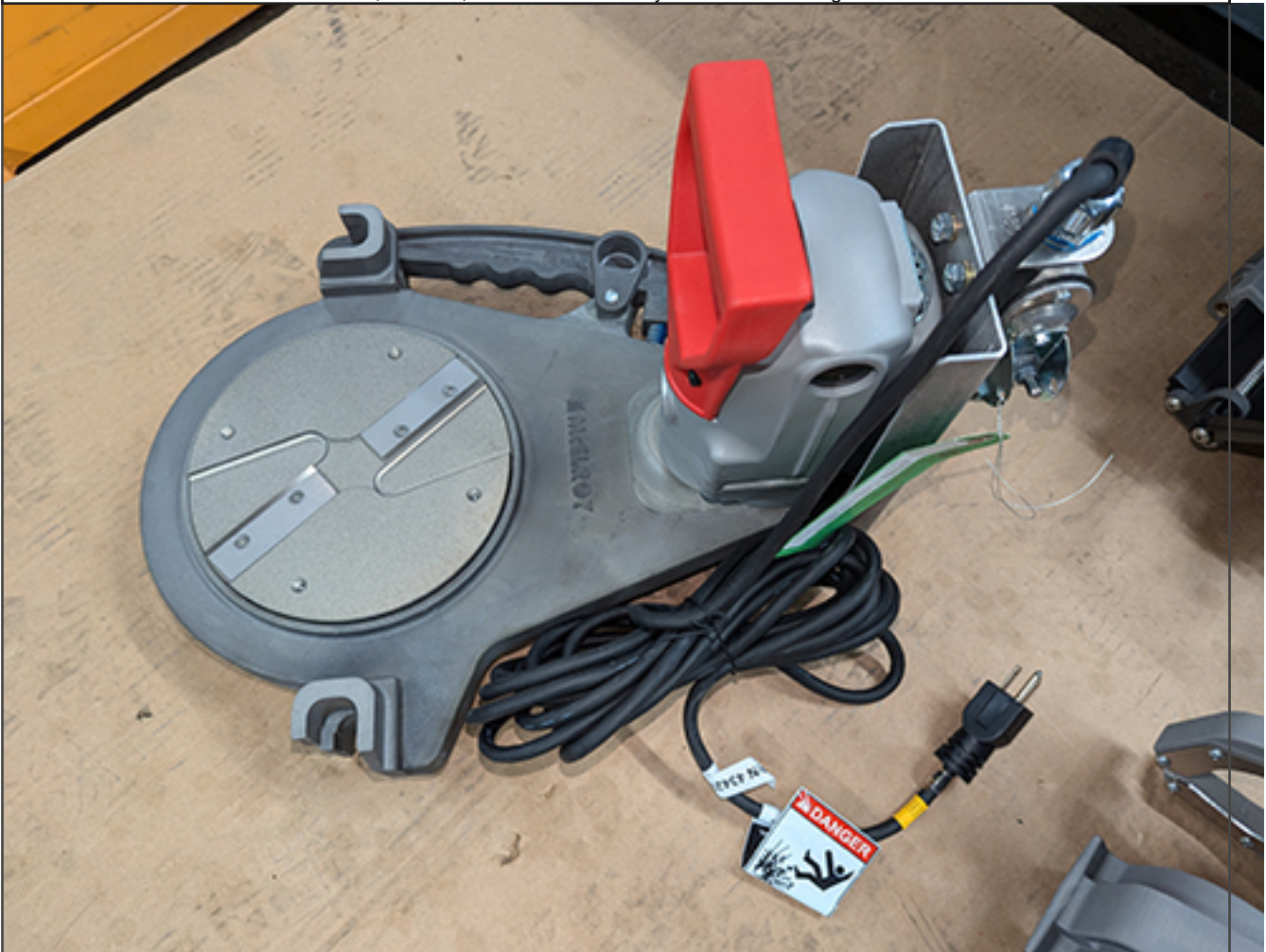
NOTES:

1. USE PERMATEX #2C NON-HARDENING SEALANT AT JOINT COMMON TO FACER BODY & COVER.
2. HANDLE ONLY MAY BE ORDERED AS MJQ00060.
3. INSTALL SCREWS USING 40-45 PSI AIR PRESSURE AND A THREAD LUBE.
4. ADD HIGH TEMPERATURE GREASE TO INSIDE CAVITY.
5. INSTALL WITH C5-A HIGH TEMP ANTI-SEIZE LUBRICANT. CLEAN OFF EXCESS.
6. FOR REPLACEMENT BLADES ORDER 710604 WHICH CONTAINS (4) 710603, FACER BLADES.
7. ORIENT MASTER LINK AS SHOWN.
8. INSTALL WITH MEDIUM STRENGTH THREAD LOCKING COMPOUND.
9. ON OUTER RACE ONLY, CLEAN WITH SOLVENT, INSTALL WITH HIGH STRENGTH RETAINING COMPOUND.
10. INSTALL USING NO THREAD LOCKING COMPOUND.



McElroy Manufacturing Parts List

Part Number: 709602 Acrobat 26 120V, 50/60Hz, 1 Ph Facer Assembly w/ Nema 5-15 Plug



Acrobat 26 120v facer assy

Part Number 709602 Component List

Item	Component	Description	Quantity	Unit	Price
1	A424101	#14 BM Facer Motor Assembly 100-120V, 50/60Hz, 1Ph	1.0	EA	1,349.00
2	A710501	Facer Chain Assy	1.0	EA	29.19
3	410902	Danger Not Expln Proof Label	1.0	EA	1.80
4	417202	Driver Sprocket Weldment	1.0	EA	122.00
5	433002	Latch Handle	1.0	EA	135.00
6	709702	Facer Body	1.0	EA	803.00
7	709802	Facer Cover	1.0	EA	319.00
8	710101	Clamping Ring	1.0	EA	61.26
9	710301	Facer Handle Weldment	1.0	EA	155.00
10	710401	Driven Sprocket	1.0	EA	231.00
11	710603	26 Pp-r Blade (Effective to 12/10/18)	4.0	EA	0.00
11	710601	Facer Blade 3LG	4.0	EA	76.23
12	710901	Preload Spacer	1.0	EA	3.38
13	717401	Pocketed Tapped Blade Holder (Effective 12/11/18 to 9/20/21)	1.0	EA	287.00
13	717403	Pocketed Tapped Blade Holder (Effective 3/18/15 to 12/10/18)	1.0	EA	271.00
13	717404	Tapped Blade Holder (sand) (Effective 9/21/21 to 4/22/26)	1.0	EA	0.00
13	07P1042090	Tapped Blade Holder	1.0	EA	417.00
14	717501	Pocketed C'bore Blade Holder (Effective 12/11/18 to 9/20/21)	1.0	EA	287.00
14	717503	Pocketed C'bore Blade Holder (Effective 3/18/15 to 12/10/18)	1.0	EA	263.00

McElroy Manufacturing Parts List**Part Number:** 709602 Acrobat 26 120V, 50/60Hz, 1 Ph Facer Assembly w/ Nema 5-15 Plug

14	717504	C'bored Blade Holder (sand) (Effective 9/21/21 to 4/22/26)	1.0 EA	0.00
14	07P1041772	Counterbore Blade Holder	1.0 EA	417.00
16	710001	Spacer Ring	1.0 EA	233.00
17	883706	26 HT Guide Rod Bracket	2.0 EA	105.00
18	MAB00002	1/4-20NCX1/2LG Hhcs	4.0 EA	0.18
19	MAC00053	1/4-20NCX3/4LG Shcs PL	2.0 EA	0.49
20	MAC00055	1/4-20NCX1LG Shcs PL	2.0 EA	0.25
21	MAC00065	L/h 1/4-20NCX1-1/2LG Shcs PL	1.0 EA	3.69
22	MAC00444	1/4-20NCX1-1/2LG Shcs Stl PL	4.0 EA	0.68
23	MAD00030	#10-24NCX3/8LG Fhscs PL	8.0 EA	0.39
25	MAH00037	#10-24NCX3/4LG Hwh TF Screw	9.0 EA	0.35
26	MAH00074	#8-32NCX3/8LG Fhscs SS	8.0 EA	0.29
28	MBE00005	1/4 Reg Splt Lck Washer Stl PL	2.0 EA	0.10
30	MBG00044	1/4 Type 'an' Flat Wshr Stl PL	2.0 EA	0.49
31	MCK00017	3/8DIAX1-3/4LG Lock Pin Stl PL	1.0 EA	3.45
32	MDL00260	V-ring Seal	1.0 EA	91.91
33	MDM00087	Ball Bearing	1.0 EA	24.79
34	MDM00305	Bearing	1.0 EA	1,092.00
35	MJE00008	Die Spring	1.0 EA	6.69
36	MJJ00009	1" Black Gloss Hand Grip	1.0 EA	3.86

Please visit <https://fusion.mcelroy.com/parts> to purchase parts or for more information.