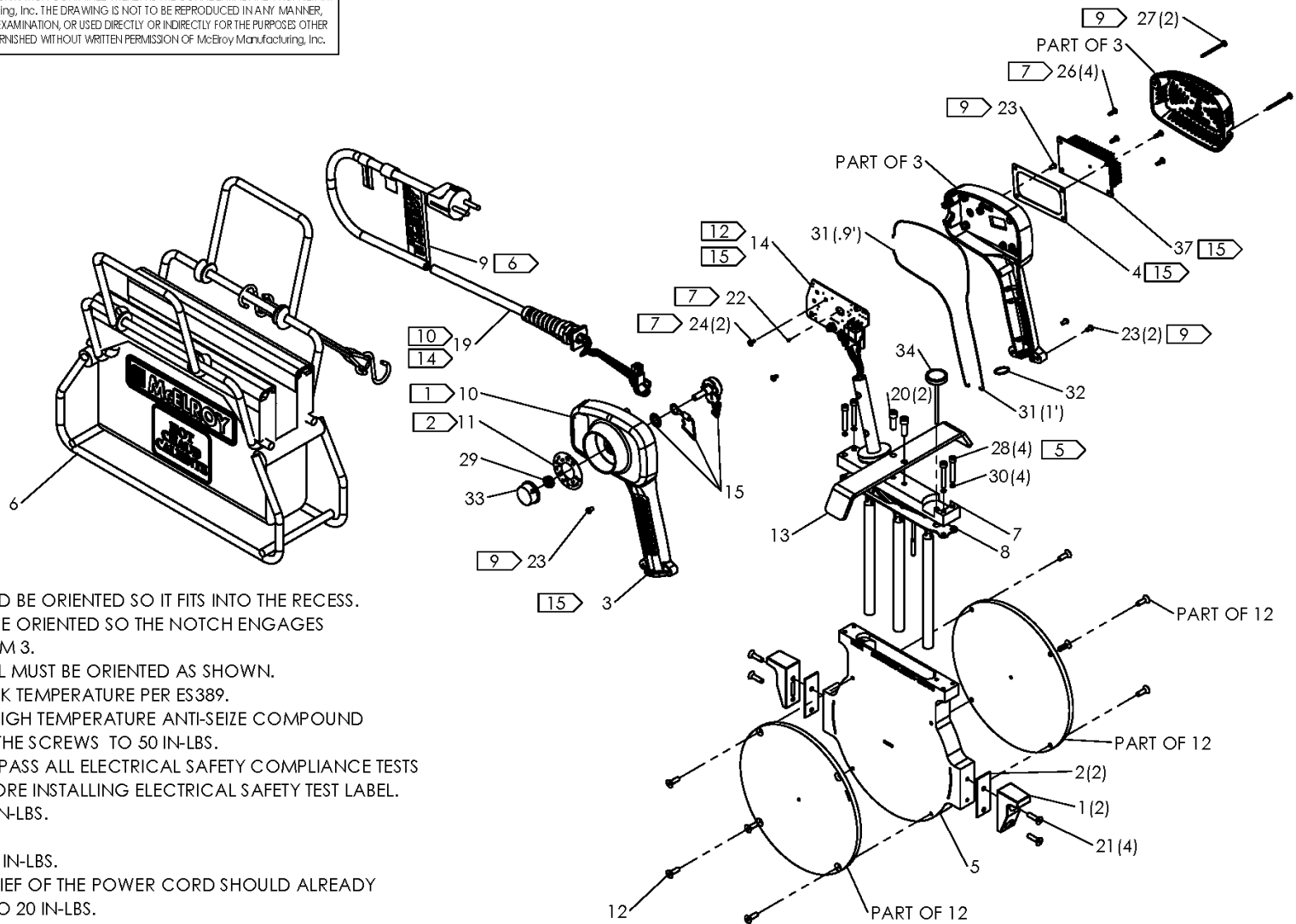


26/180 BUTT PLATE HEATER ASSEMBLY 240V, 50Hz. 1 Ph WITH CEE 7/7 PLUG

NOTE: THIS DRAWING AND THE INFORMATION CONTAINED THEREIN IS THE CONFIDENTIAL AND PROPRIETARY PROPERTY OF McElroy Manufacturing, Inc. THE DRAWING IS NOT TO BE REPRODUCED IN ANY MANNER, SUBMITTED TO OUTSIDE PARTIES FOR EXAMINATION, OR USED DIRECTLY OR INDIRECTLY FOR THE PURPOSES OTHER THAN THOSE FOR WHICH IT WAS FURNISHED WITHOUT WRITTEN PERMISSION OF McElroy Manufacturing, Inc.

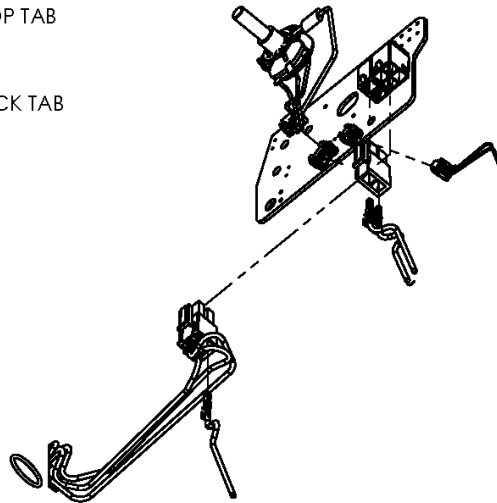
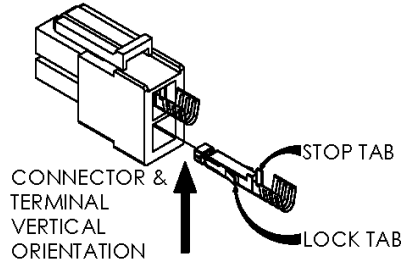
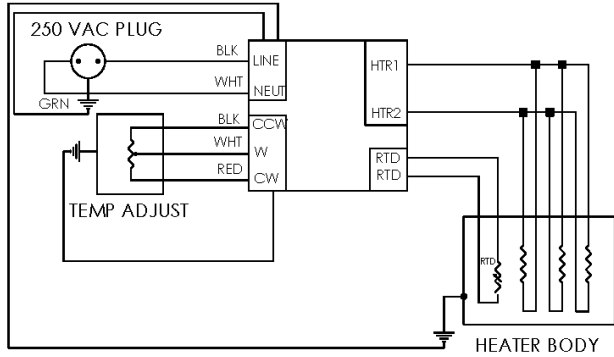


NOTES:

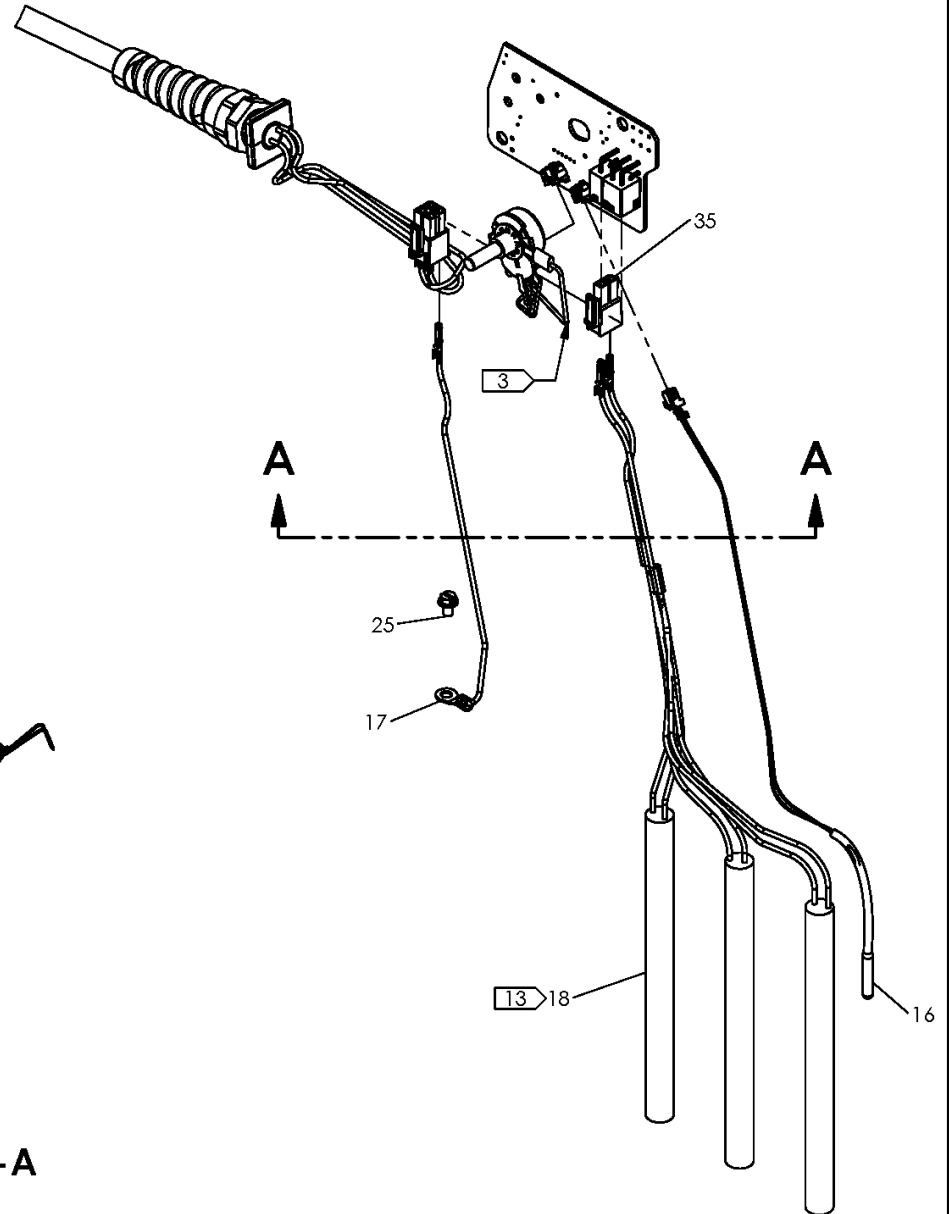
1. ITEM 10 SHOULD BE ORIENTED SO IT FITS INTO THE RECESS.
2. ITEM 11 MUST BE ORIENTED SO THE NOTCH ENGAGES THE KEY ON ITEM 3.
3. RING TERMINAL MUST BE ORIENTED AS SHOWN.
4. SET AND CHECK TEMPERATURE PER ES389.
5. INSTALL WITH HIGH TEMPERATURE ANTI-SEIZE COMPOUND AND TORQUE THE SCREWS TO 50 IN-LBS.
6. HEATER SHALL PASS ALL ELECTRICAL SAFETY COMPLIANCE TESTS PER ES497 BEFORE INSTALLING ELECTRICAL SAFETY TEST LABEL.
7. TORQUE TO 5 IN-LBS.
- 8.
9. TORQUE TO 23 IN-LBS.
10. THE STRAIN RELIEF OF THE POWER CORD SHOULD ALREADY BE TORQUED TO 20 IN-LBS.
- 11.
12. APPLY THIN LAYER OF HTRC COMPOUND TO TRIAC ON BACK SIDE OF THE PCB.
13. ORDER AT5078005 KIT TO REPLACE CARTRIDGE ELEMENTS.
14. ORDER AT5078117 KIT TO REPLACE POWER CABLE.
15. COMPONENT MUST BE ORDERED AS PART OF THE T5033301 SUBASSEMBLY

26/180 BUTT PLATE HEATER ASSEMBLY 240V, 50Hz, 1 Ph WITH CEE 7/7 PLUG

NOTE: THIS DRAWING AND THE INFORMATION CONTAINED THEREIN IS THE CONFIDENTIAL AND PROPRIETARY PROPERTY OF McElroy Manufacturing, Inc. THE DRAWING IS NOT TO BE REPRODUCED IN ANY MANNER, SUBMITTED TO OUTSIDE PARTIES FOR EXAMINATION, OR USED DIRECTLY OR INDIRECTLY FOR THE PURPOSES OTHER THAN THOSE FOR WHICH IT WAS FURNISHED WITHOUT WRITTEN PERMISSION OF McElroy Manufacturing, Inc.



SECTION A-A



McElroy Manufacturing Parts List

Part Number: 724201 26/180 Butt Plate 240V, 50Hz Heater Assembly with CEE 7/7 Plug

Part Number 724201 Component List

Item	Component	Description	Quantity	Unit	Price
1	425901	4MLMC Htr Support Bracket	2.0	EA	31.44
2	426001	4MLMC Htr Support Bkt Gasket	2.0	EA	2.39
3	437304	Small Htr Handle/enclosure	1.0	EA	0.00
4	437401	Heat Sink Gasket	1.0	EA	0.00
5	707801	26/180 Heater Body	1.0	EA	633.00
6	712001	26 Heater Bag Assembly	1.0	EA	617.00
7	722801	26/180 Cover Plate Wld	1.0	EA	56.80
8	809001	Htr Cover Plate Gasket	1.0	EA	9.74
9	8163210	Electrical Safety Test Label	1.0	EA	0.00
10	8163380	Model 724201 Part NO Label	1.0	EA	27.49
11	816382	Temperature Scale Label	1.0	EA	7.33
12	A707901	26/180 Heater Butt Plate Kit	1.0	EA	350.00
13	A708101	26/180 Heater Stripper Bar Kit	1.0	EA	86.74
14	T5030006	Heater Control Pcb Assy (Effective to 12/15/20)	1.0	EA	0.00
14	T5030009	Heater Control Pcb Assy	1.0	EA	0.00
15	T5030007	Potentiometer Assy	1.0	EA	26.35
16	T5077602	Rtd W/ Conn X 12"	1.0	EA	84.35
17	T5077903	Ground Wire W/#8 Term X 10"	1.0	EA	30.40
18	T5078005	240V 3X400W Crtg Htr Asyw/term	1.0	EA	0.00
19	T5078104	16A/250V Pwr Cord W/plug&conn	1.0	EA	0.00
20	MAH00052	1/4-20NC X 3/4"LG Shcs SS	2.0	EA	0.49
21	MAH00105	#10-24NCX3/4LG Fhscs SS	4.0	EA	0.39
22	MAH00296	#6-32X1/4 Phil Pan Sealg Scr	1.0	EA	2.00
23	MAL00010	#6-19X3/4LG Torx T15 Pan Hdscr	4.0	EA	0.56
24	MAL00011	#6-19X1/4LG Torx T15 Pan Hdscr (Effective to 1/15/20)	2.0	EA	0.66
24	MAL00034	#6-19X1/4LG Phil Pan Hdscr	2.0	EA	0.06
25	MAL00024	#8-32NCX1/4LG Hwhsms SS	1.0	EA	0.34
26	MAL00030	#6-19X3/8LG Torx T15 Pan Hdscr (Effective to 1/15/20)	4.0	EA	0.07
26	MAL00035	#6-19X3/8LG Phil Pan Hdscr	4.0	EA	0.08
27	MAL00031	#6-19X1-1/2'LG Torx T15 Panscr	2.0	EA	0.24
28	MAN00008	#10-24NCX1LG Shcs SS (Effective to 6/17/21)	4.0	EA	0.49
28	MAN00011	#10-24NCX1-1/4LG Shcs SS	4.0	EA	0.49
29	MBA00067	3/8-32NEF X 0.22 X 1/4 Sealnut	1.0	EA	6.22
30	MBG00137	#10 Belleville Spring Wshr SS	4.0	EA	1.11
31	MDL00373	.040DIA Buna O-ring Cord Stock	1.9	FT	1.81
32	MDL00374	O-ring	1.0	EA	0.61
33	MJJ00023	Control Knob	1.0	EA	5.24
34	MJK00002	2.5LG,150-650DEG F Thermometer	1.0	EA	48.72
35	MLF00175	Mega-fit Rec Conn,	1.0	EA	0.44
36	MLN00219	Fiberglass Tape (per Ft) (Effective to 10/27/19)	0.667	FT	0.56
37	MQI00111	Heatsink	1.0	EA	0.00
38	A424901	14 MultiMc/Socket Fusion Heater Screw&Driver Kit	1.0	EA	50.32

Please visit <https://fusion.mcelroy.com/parts> to purchase parts or for more information.