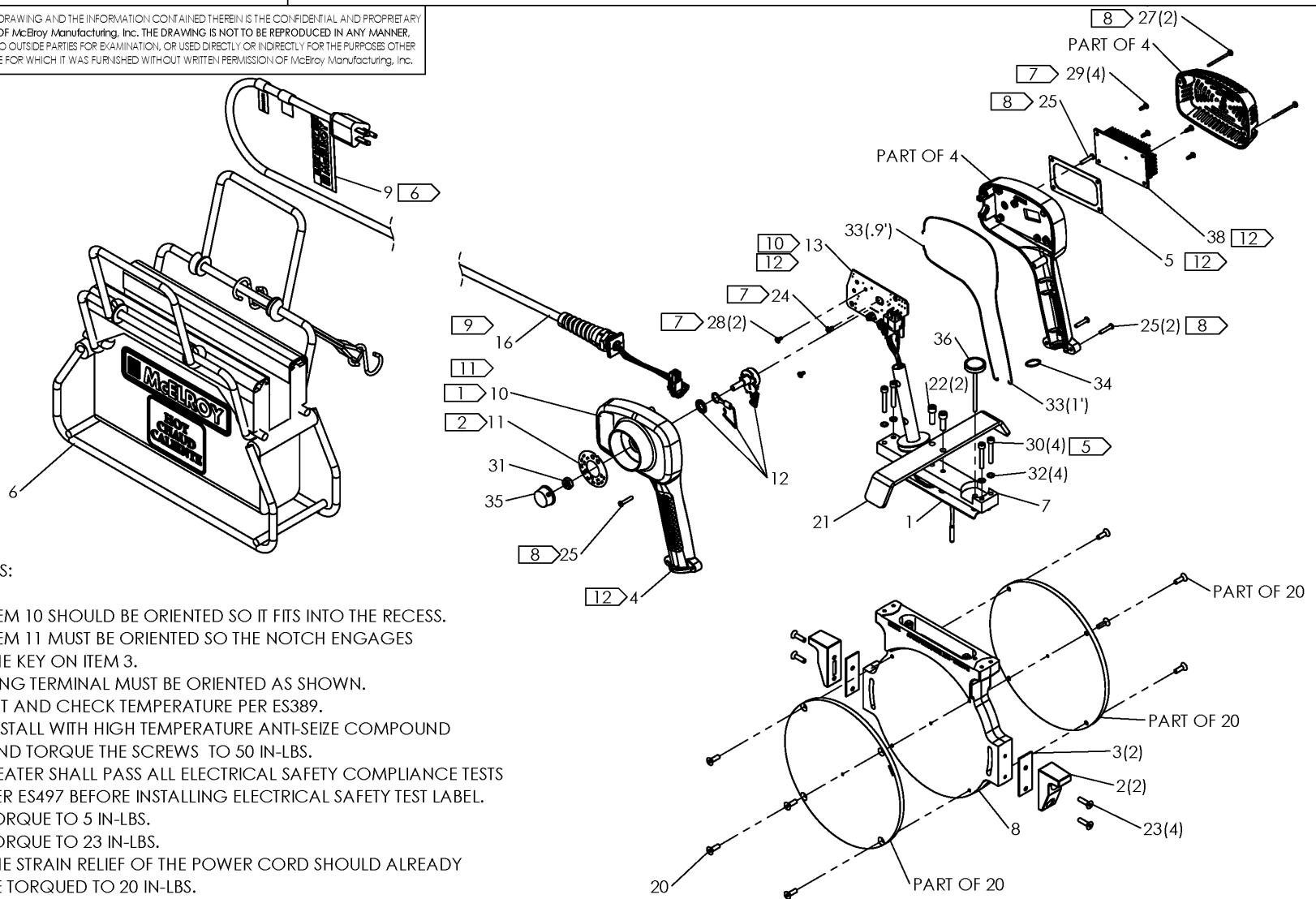


## 26/180 BUTT PLATE CAST HEATER ASSEMBLY 100-120V, 50/60 Hz, 1 Ph

NOTE: THIS DRAWING AND THE INFORMATION CONTAINED THEREIN IS THE CONFIDENTIAL AND PROPRIETARY PROPERTY OF McElroy Manufacturing, Inc. THE DRAWING IS NOT TO BE REPRODUCED IN ANY MANNER, SUBMITTED TO OUTSIDE PARTIES FOR EXAMINATION, OR USED DIRECTLY OR INDIRECTLY FOR THE PURPOSES OTHER THAN THOSE FOR WHICH IT WAS FURNISHED WITHOUT WRITTEN PERMISSION OF McElroy Manufacturing, Inc.

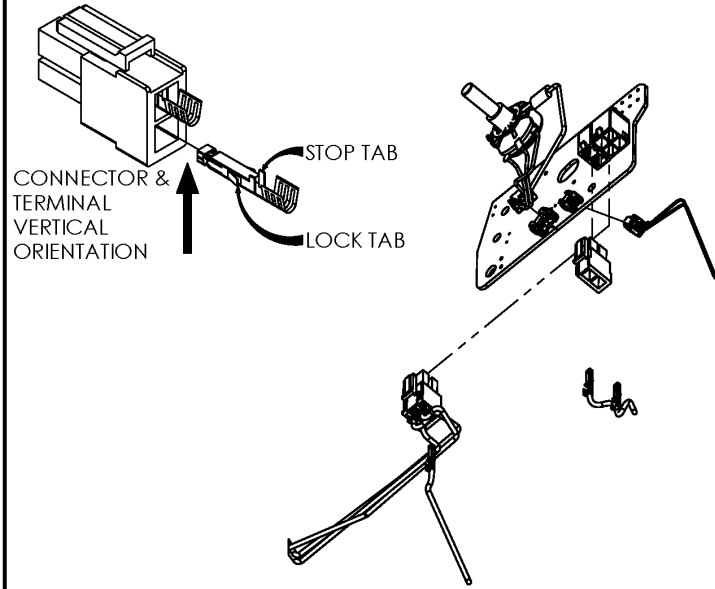
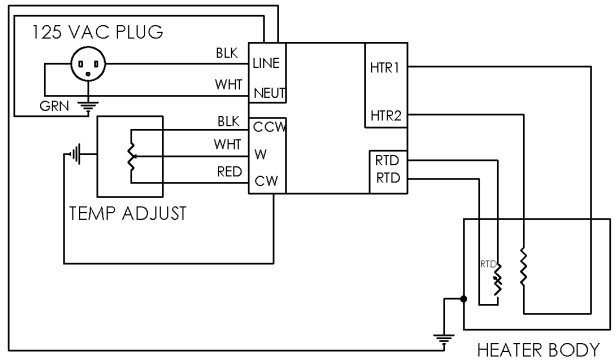


### NOTES:

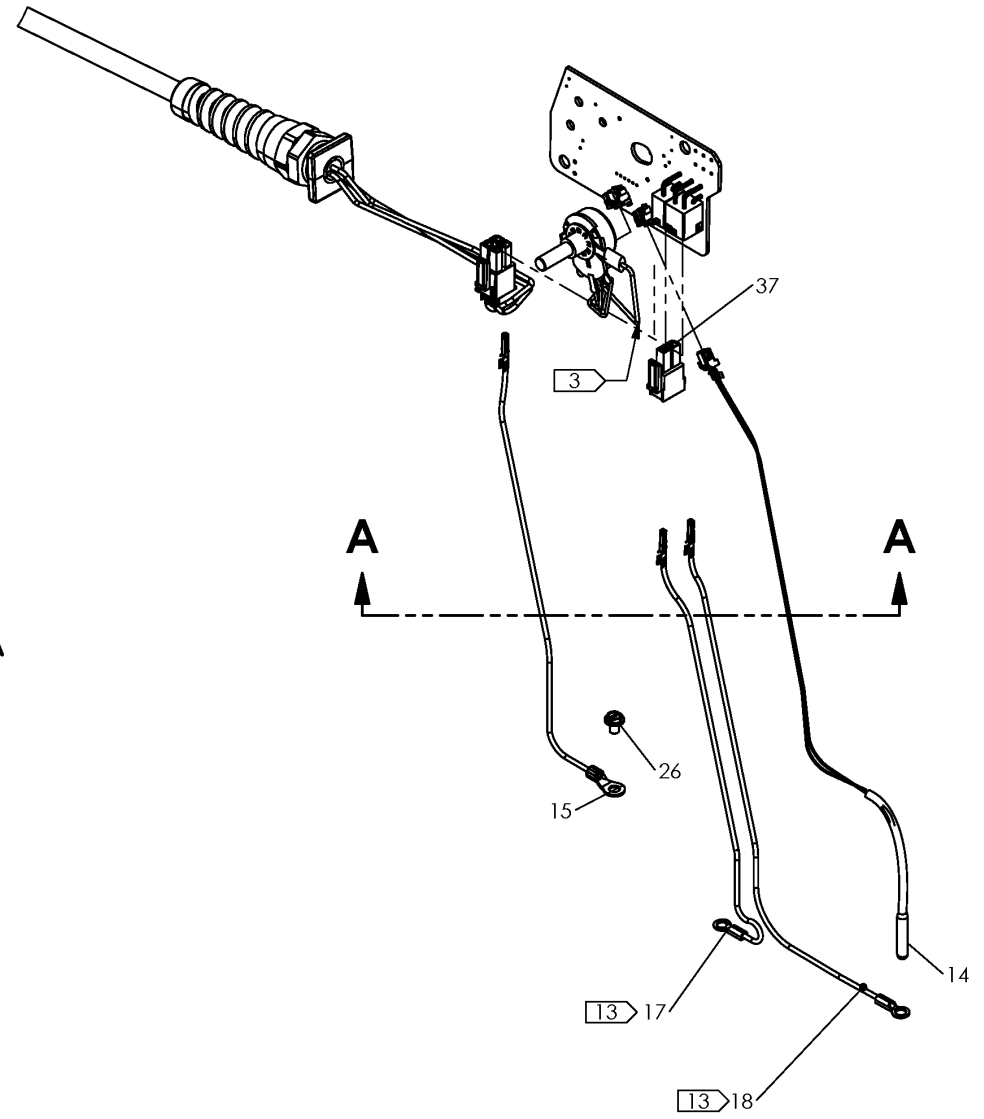
1. ITEM 10 SHOULD BE ORIENTED SO IT FITS INTO THE RECESS.
2. ITEM 11 MUST BE ORIENTED SO THE NOTCH ENGAGES THE KEY ON ITEM 3.
3. RING TERMINAL MUST BE ORIENTED AS SHOWN.
4. SET AND CHECK TEMPERATURE PER ES389.
5. INSTALL WITH HIGH TEMPERATURE ANTI-SEIZE COMPOUND AND TORQUE THE SCREWS TO 50 IN-LBS.
6. HEATER SHALL PASS ALL ELECTRICAL SAFETY COMPLIANCE TESTS PER ES497 BEFORE INSTALLING ELECTRICAL SAFETY TEST LABEL.
7. TORQUE TO 5 IN-LBS.
8. TORQUE TO 23 IN-LBS.
9. THE STRAIN RELIEF OF THE POWER CORD SHOULD ALREADY BE TORQUED TO 20 IN-LBS.
10. APPLY THIN LAYER OF HTRC COMPOUND TO TRIAC ON BACK SIDE OF THE PCB.
11. ORDER AT5078111 KIT TO REPLACE POWER CABLE.
12. COMPONENT MUST BE ORDERED AS PART OF THE T5033301 SUBASSEMBLY
13. PRIOR TO CONNECTING ITEMS 17 & 18 ENSURE BOTTOM TERMINAL NUT IS ALL THE WAY DOWN AGAINST MICA INSULATORS. TORQUE TOP ELEMENT TERMINAL NUTS TO 25 IN-LBS.

## 26/180 BUTT PLATE CAST HEATER ASSEMBLY 100-120V, 50/60 Hz, 1 Ph

NOTE: THIS DRAWING AND THE INFORMATION CONTAINED THEREIN IS THE CONFIDENTIAL AND PROPRIETARY PROPERTY OF McElroy Manufacturing, Inc. THE DRAWING IS NOT TO BE REPRODUCED IN ANY MANNER, SUBMITTED TO OUTSIDE PARTIES FOR EXAMINATION, OR USED DIRECTLY OR INDIRECTLY FOR THE PURPOSES OTHER THAN THOSE FOR WHICH IT WAS FURNISHED WITHOUT WRITTEN PERMISSION OF McElroy Manufacturing, Inc.



### SECTION A-A



# McElroy Manufacturing Parts List

Part Number: 724501 26/180 Butt Plate 100-120V Cast Heater Assembly



26/180 Butt Plate 100-120V Cast Heater Assembly

Part Number 724501 Component List

## McElroy Manufacturing Parts List

**Part Number:** 724501 26/180 Butt Plate 100-120V Cast Heater Assembly

Item	Component	Description	Quantity	Unit	Price
1	07P0915409	Cast Heater Cover Plate Gasket	1.0	EA	3.62
2	425901	4MLMC Htr Support Bracket	2.0	EA	31.44
3	426001	4MLMC Htr Support Bkt Gasket	2.0	EA	2.39
4	437304	Small Htr Handle/enclosure	1.0	EA	0.00
5	437401	Heat Sink Gasket	1.0	EA	0.00
6	712001	26 Heater Bag Assembly	1.0	EA	617.00
7	722801	26/180 Cover Plate Wld	1.0	EA	56.80
8	725701	26/180 Cast Element Htr Body	1.0	EA	333.00
9	8163210	Electrical Safety Test Label	1.0	EA	0.00
10	08P0922674	Model 724501 Part Number Label	1.0	EA	9.27
11	816382	Temperature Scale Label	1.0	EA	7.33
12	T5030007	Potentiometer Assy	1.0	EA	26.35
13	T5030009	Heater Control Pcb Assy	1.0	EA	0.00
14	T5077602	Rtd W/ Conn X 12"	1.0	EA	84.35
15	T5077903	Ground Wire W/#8 Term X 10"	1.0	EA	30.40
16	T5078101	13A/120V Pwr Cord W/plug&conn	1.0	EA	91.31
17	T5078201	10" Element Wire W/ Terminals (Effective to 11/15/23)	1.0	EA	5.93
17	T5078901	10" Element Wire W/ Terminals	1.0	EA	9.84
18	T5078202	12" Element Wire W/ Terminals (Effective to 11/15/23)	1.0	EA	5.93
18	T5078902	12" Element Wire W/ Terminals	1.0	EA	9.84
19	A424901	14 MultiMc/Socket Fusion Heater Screw&Driver Kit	1.0	EA	50.32
20	A707901	26/180 Heater Butt Plate Kit	1.0	EA	350.00
21	A708101	26/180 Heater Stripper Bar Kit	1.0	EA	86.74
22	MAH00052	1/4-20NC X 3/4"LG Shcs SS	2.0	EA	0.49
23	MAH00105	#10-24NCX3/4LG Fhscs SS	4.0	EA	0.39
24	MAH00296	#6-32X1/4 Phil Pan Sealg Scr	1.0	EA	2.00
25	MAL00010	#6-19X3/4LG Torx T15 Pan Hdscr	4.0	EA	0.56
26	MAL00024	#8-32NCX1/4LG Hwhsms SS	1.0	EA	0.34
27	MAL00031	#6-19X1-1/2'LG Torx T15 Panscr	2.0	EA	0.24
28	MAL00034	#6-19X1/4LG Phil Pan Hdscr	2.0	EA	0.06
29	MAL00035	#6-19X3/8LG Phil Pan Hdscr	4.0	EA	0.08
30	MAN00011	#10-24NCX1-1/4LG Shcs SS	4.0	EA	0.49
31	MBA00067	3/8-32NEF X 0.22 X 1/4 Sealnut	1.0	EA	6.22
32	MBG00137	#10 Belleville Spring Wshr SS	4.0	EA	1.11
33	MDL00373	.040DIA Buna O-ring Cord Stock	1.9	FT	1.81
34	MDL00374	O-ring	1.0	EA	0.61
35	MJJ00023	Control Knob	1.0	EA	5.24
36	MJK00002	2.5LG,150-650DEG F Thermometer	1.0	EA	48.72
37	MLF00175	Mega-fit Rec Conn,	1.0	EA	0.44
38	MQI00111	Heatsink	1.0	EA	0.00

Please visit <https://fusion.mcelroy.com/parts> to purchase parts or for more information.