



McElroy Manufacturing, Inc.
The leader by design.
Tulsa, Oklahoma U.S.A.

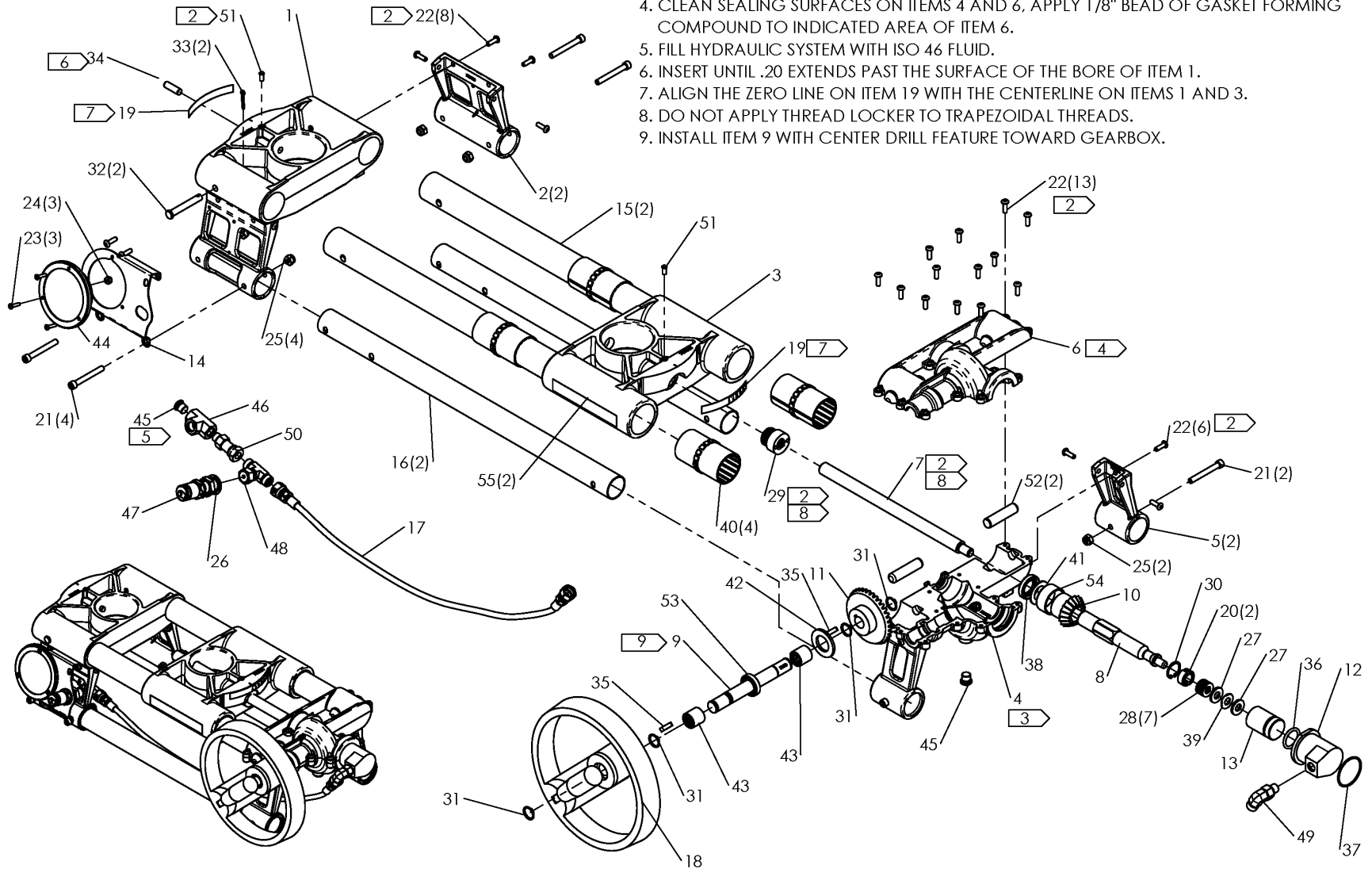
DRAWN: MRH CHECK: PJD APPRVD: JBC DATE: 01/11/18 SHT No: 1A REV No: G PART No: 732000

Polygon™ DRIVE ASSEMBLY

NOTE: THIS DRAWING AND THE INFORMATION CONTAINED THEREIN IS THE CONFIDENTIAL AND PROPRIETARY PROPERTY OF McElroy Manufacturing, Inc. THE DRAWING IS NOT TO BE REPRODUCED IN ANY MANNER, SUBMITTED TO OUTSIDE PARTIES FOR EXAMINATION, OR USED DIRECTLY OR INDIRECTLY FOR THE PURPOSES OTHER THAN THOSE FOR WHICH IT WAS FURNISHED WITHOUT WRITTEN PERMISSION OF McElroy Manufacturing, Inc.

NOTES:

1. ITEMS SHOWN IN PARENTHESIS REFLECT QUANTITIES IN A LOCAL GROUP AND MAY NOT INDICATE TOTAL ASSEMBLY QUANTITIES.
2. APPLY LOW STRENGTH THREAD LOCKER.
3. FILL ITEM 4 WITH SAE 75W-90 GEAR OIL 2/3 FULL.
4. CLEAN SEALING SURFACES ON ITEMS 4 AND 6, APPLY 1/8" BEAD OF GASKET FORMING COMPOUND TO INDICATED AREA OF ITEM 6.
5. FILL HYDRAULIC SYSTEM WITH ISO 46 FLUID.
6. INSERT UNTIL .20 EXTENDS PAST THE SURFACE OF THE BORE OF ITEM 1.
7. ALIGN THE ZERO LINE ON ITEM 19 WITH THE CENTERLINE ON ITEMS 1 AND 3.
8. DO NOT APPLY THREAD LOCKER TO TRAPEZOIDAL THREADS.
9. INSTALL ITEM 9 WITH CENTER DRILL FEATURE TOWARD GEARBOX.





McElroy Manufacturing, Inc.

The leader by design.

Tulsa, Oklahoma U.S.A.

DRAWN: MRH

CHECK: PJD

APPRVD: JBC

DATE: 01/11/18

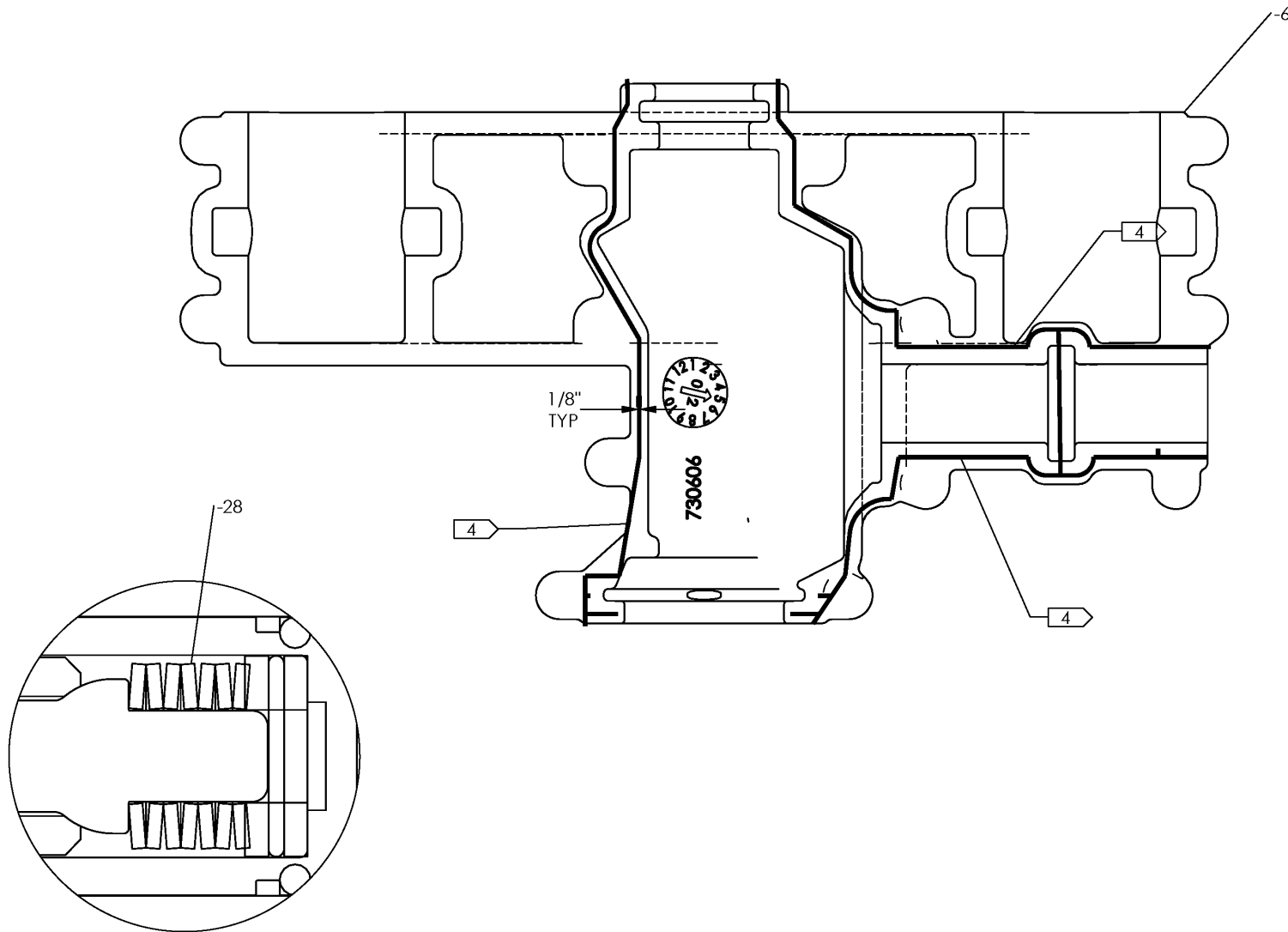
SHT No: 1B

REV No: G

PART No: 732000

Polygon™ DRIVE ASSEMBLY

NOTE: THIS DRAWING AND THE INFORMATION CONTAINED THEREIN IS THE CONFIDENTIAL AND PROPRIETARY PROPERTY OF McElroy Manufacturing, Inc. THE DRAWING IS NOT TO BE REPRODUCED IN ANY MANNER, SUBMITTED TO OUTSIDE PARTIES FOR EXAMINATION, OR USED DIRECTLY OR INDIRECTLY FOR THE PURPOSES OTHER THAN THOSE FOR WHICH IT WAS FURNISHED WITHOUT WRITTEN PERMISSION OF McElroy Manufacturing, Inc.



ORIENTATION OF ITEM 28

McElroy Manufacturing Parts List

Part Number: 732001 400 PSI Polygon Drive Assembly

Part Number 732001 Component List

Item	Component	Description	Quantity	Unit	Price
1	730401	Fixed Jaw Frame Upper	1.0	EA	273.00
2	730403	Fixed Jaw Frame Support	2.0	EA	0.00
3	730501	Movable Jaw Frame	1.0	EA	0.00
4	730601	Guide Rod Support Gearbox	1.0	EA	857.00
5	730603	Gearbox Support	2.0	EA	0.00
6	730606	Gearbox Cover Casting (Effective to 7/19/18)	1.0	EA	0.00
6	730605	Gearbox Cover	1.0	EA	789.00
7	730701	Drive Screw	1.0	EA	184.00
8	730801	Drive Shaft	1.0	EA	233.00
9	730901	Input Shaft (Effective to 12/20/18)	1.0	EA	0.00
9	730902	5-11/32" Input Shaft	1.0	EA	0.00
10	731001	Drive Gear	1.0	EA	0.00
11	731101	Input Gear	1.0	EA	0.00
12	731201	Load Cell Cylinder	1.0	EA	173.00
13	731301	Load Cell Piston	1.0	EA	135.00
14	731601	Gauge Bracket	1.0	EA	0.00
15	731701	Guide Rod	2.0	EA	0.00
16	731901	Lower Tube	2.0	EA	0.00
17	733701	Pressure Hose Assy	1.0	EA	62.48
18	735001	6" Folding Handwheel	1.0	EA	469.00
19	8163348	Angle Scale Label	2.0	EA	33.27
20	SW01301	Split Ring Half	2.0	EA	17.86
21	MAC00435	1/4-20NCX2LG Shcs PL	6.0	EA	0.84
22	MAE00137	#10-24NCX5/8LG Bhscs Stl PL	27.0	EA	0.34
23	MAN00028	#6-32NCX5/8LG Bhscs SS	3.0	EA	0.20
24	MBC00002	#6-32NC Mach Scr Nyl Lck Nut	3.0	EA	0.39
25	MBC00005	1/4-20NC Fnsh Hex Nyl Lck Nut	6.0	EA	0.39
26	MBE00010	9/16 Reg Splt Lck Wshr Stl PL (Effective to 9/13/18)	1.0	EA	0.00
26	MBE00039	9/16 Int T Lck Washer Stl PL	1.0	EA	0.00
27	MBG00025	3/8 Thrust Washer	2.0	EA	6.32
28	MBG00135	3/8 ID Belleville Washer	7.0	EA	0.00
29	MBH00152	16 X 4 Trapezoidal Nut, RH (Effective to 6/13/22)	1.0	EA	116.00
29	07P0960096	16X4 Trapezoidal Nut, Rght Hnd	1.0	EA	0.00
30	MCA00006	.812 Int Snap Ring	1.0	EA	1.86
31	MCB00090	5/8 ID Retaining Ring Stl PL	4.0	EA	0.40
32	MCF00069	5/16DIA X1-7/8 Grip Clv Pin SS	2.0	EA	11.59
33	MCH00020	1/8DIA X3/4LG Cotter Pin	2.0	EA	0.21
34	MCI00023	5/16DIA X1LG Dowel Pin	1.0	EA	0.00
35	MCK00066	3/16X3/16X3/4LG SQ Key, rnd End	2.0	EA	6.32
36	MDL00018	O-ring	1.0	EA	0.61
37	MDL00167	O-ring	1.0	EA	0.90
38	MDL00353	.75 ID Double Lip Seal	1.0	EA	25.29
39	MDM00077	Thrust Bearing	1.0	EA	6.85
40	MDM00560	1.50 ID Linear Shaft Bushing	4.0	EA	25.46
41	MDM00563	Sae 841 Bronze Thrust Bearing	1.0	EA	5.65
42	MDM00564	7/8 Id, 1-1/2OD Thrust Bushing	1.0	EA	7.60
43	MDM00565	5/8 ID Needle Roller Bearing	2.0	EA	0.00
44	MEE00077	400PSI Pressure Gauge	1.0	EA	119.00
45	MFC00029	4MSAE Plug	2.0	EA	2.88
46	MFC00222	4FSAE/4FSAE/4FSAE Tee	1.0	EA	0.00
47	MFH00120	4MSL Bulkhead QD Nipple	1.0	EA	97.71
48	MFQ00028	4MSL/4MSL/4FSL Swivel Tee	1.0	EA	0.00
49	MFQ00040	4MSL/4MSAE Elbow	1.0	EA	10.33
50	MFQ00232	4FSL/4MSAE Swivel Adapter	1.0	EA	0.00

McElroy Manufacturing Parts List

Part Number: 732001 400 PSI Polygon Drive Assembly

51	MJN00018	3/16DIA PF Ball Plunger SS	2.0 EA	21.09
52	MCI00055	1/2DIA X 2LG Dowel Pin SS	2.0 EA	0.00
53	MDL00367	.625 ID Double Lip Seal	1.0 EA	17.03
54	MDM00577	1.25 ID X 5/8" Bushing	1.0 EA	22.40
55	8163326	4.5" McElroy Branding Label	2.0 EA	0.00

Please visit <https://fusion.mcelroy.com/parts> to purchase parts or for more information.

