

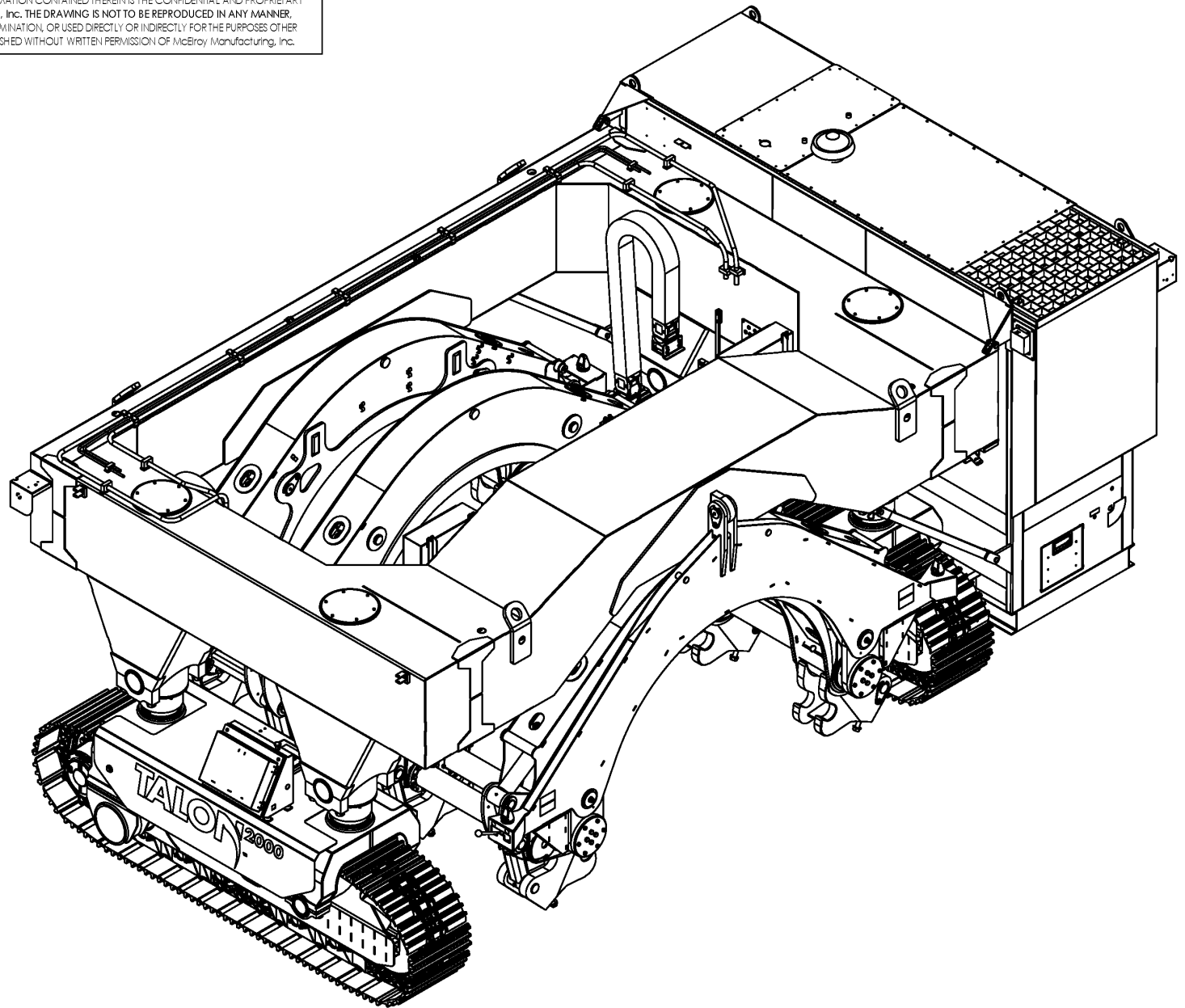


McElroy Manufacturing, Inc.  
The leader by design.  
Tulsa, Oklahoma U.S.A.

DRAWN: XLM    CHECK: SPA    APPRVD: BWJ    DATE: 5/21/14    SHT No: 1A    REV No: C    PART No: 7800201

TALON™ 2000 VEHICLE ASSEMBLY

NOTE: THIS DRAWING AND THE INFORMATION CONTAINED THEREIN IS THE CONFIDENTIAL AND PROPRIETARY PROPERTY OF McElroy Manufacturing, Inc. THE DRAWING IS NOT TO BE REPRODUCED IN ANY MANNER, SUBMITTED TO OUTSIDE PARTIES FOR EXAMINATION, OR USED DIRECTLY OR INDIRECTLY FOR THE PURPOSES OTHER THAN THOSE FOR WHICH IT WAS FURNISHED WITHOUT WRITTEN PERMISSION OF McElroy Manufacturing, Inc.





McElroy Manufacturing, Inc.

The leader by design.

Tulsa, Oklahoma U.S.A.

DRAWN: XLM

CHECK: SPA

APPRVD: BWJ

DATE: 5/21/14

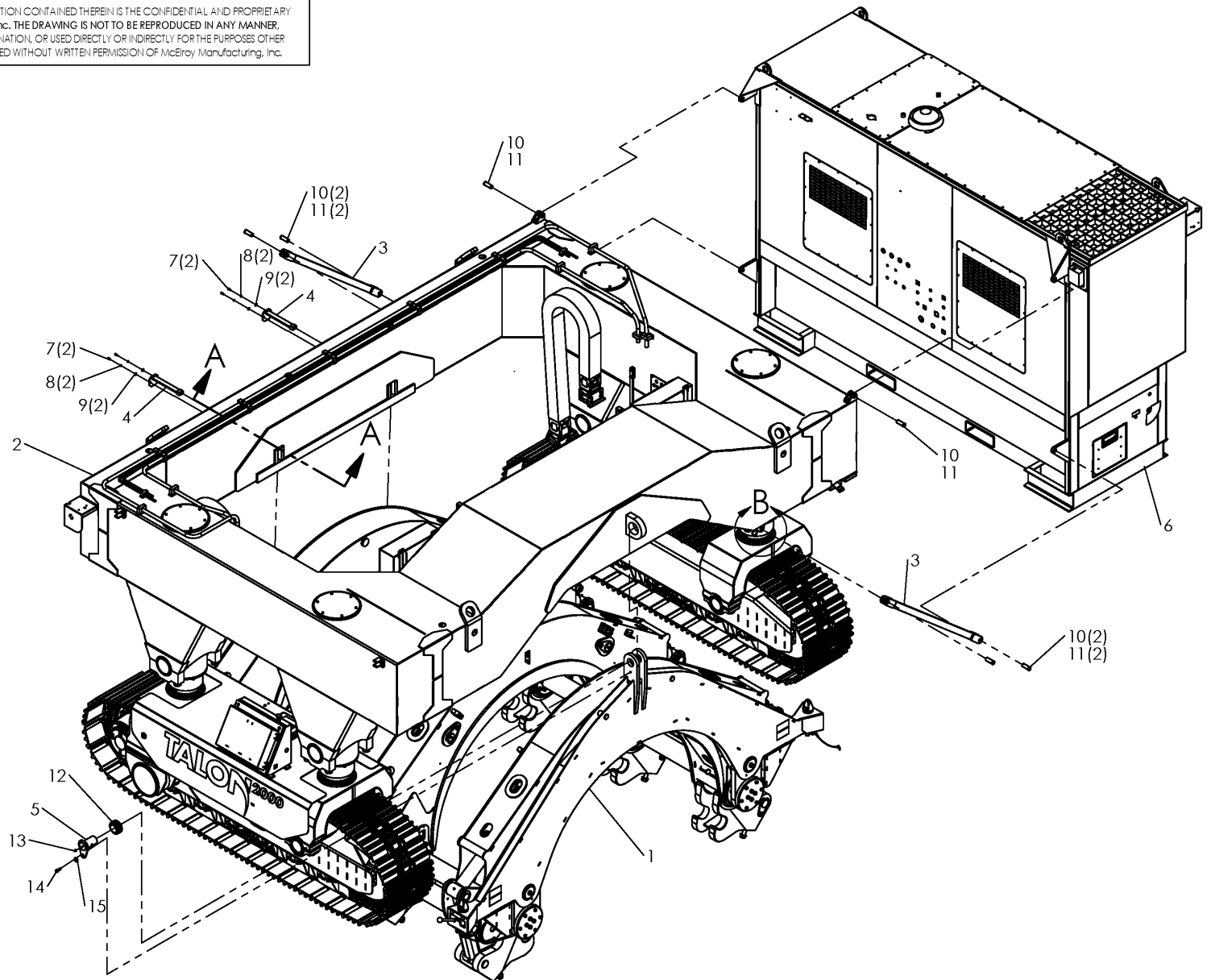
SHT No: 1B

REV No: C

PART No: 7800201

TALON™ 2000 VEHICLE ASSEMBLY

NOTE: THIS DRAWING AND THE INFORMATION CONTAINED THEREIN IS THE CONFIDENTIAL AND PROPRIETARY PROPERTY OF McElroy Manufacturing, Inc. THE DRAWING IS NOT TO BE REPRODUCED IN ANY MANNER, SUBMITTED TO OUTSIDE PARTIES FOR EXAMINATION, OR USED DIRECTLY OR INDIRECTLY FOR THE PURPOSES OTHER THAN THOSE FOR WHICH IT WAS FURNISHED WITHOUT WRITTEN PERMISSION OF McElroy Manufacturing, Inc.





McElroy Manufacturing, Inc.

The leader by design.

Tulsa, Oklahoma U.S.A.

DRAWN: XLM

CHECK: SPA

APPRVD: BWJ

DATE: 5/21/14

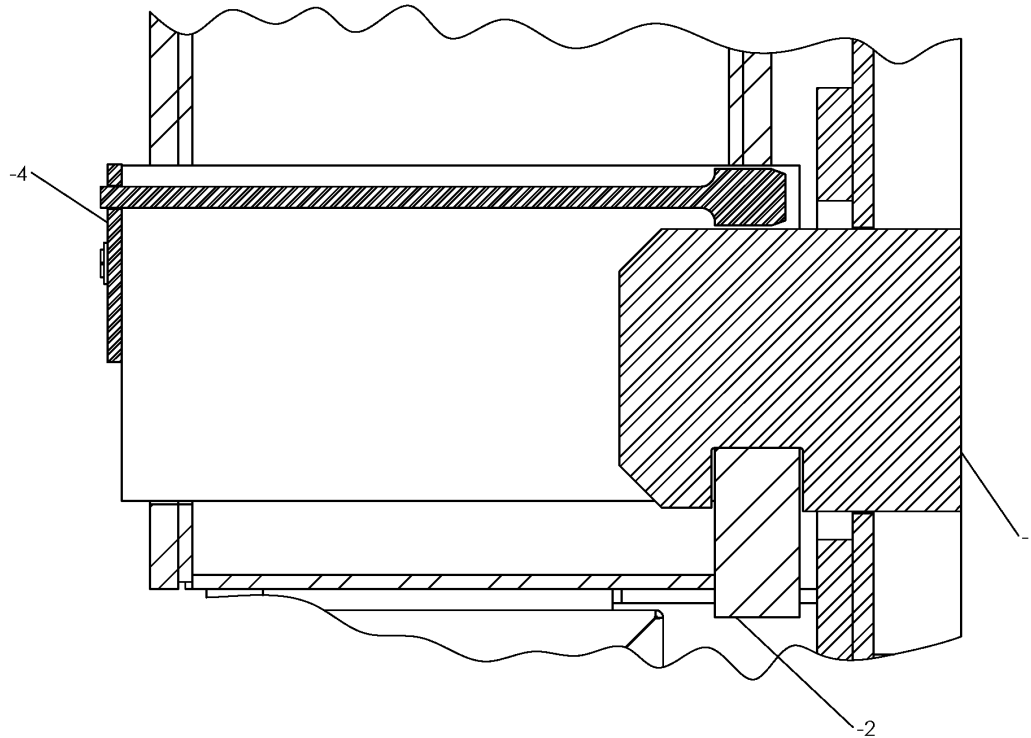
SHT No: 1C

REV No: C

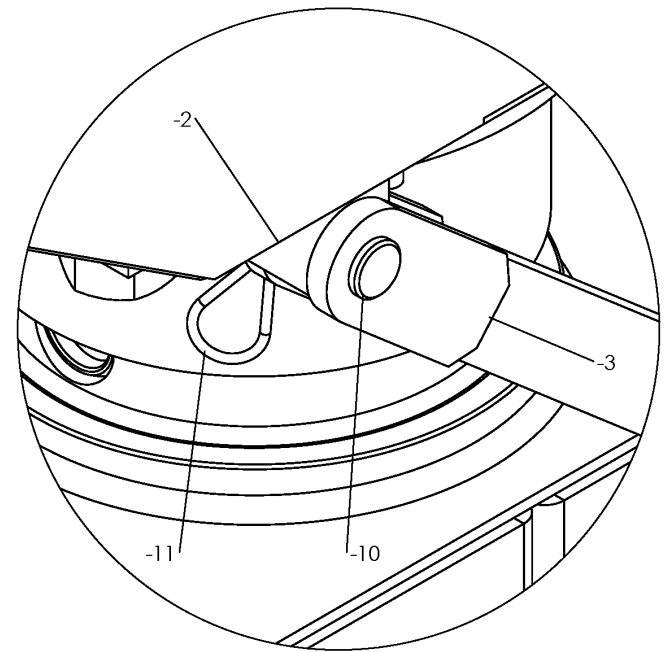
PART No: 7800201

TALON™ 2000 VEHICLE ASSEMBLY

NOTE: THIS DRAWING AND THE INFORMATION CONTAINED THEREIN IS THE CONFIDENTIAL AND PROPRIETARY PROPERTY OF McElroy Manufacturing, Inc. THE DRAWING IS NOT TO BE REPRODUCED IN ANY MANNER, SUBMITTED TO OUTSIDE PARTIES FOR EXAMINATION, OR USED DIRECTLY OR INDIRECTLY FOR THE PURPOSES OTHER THAN THOSE FOR WHICH IT WAS FURNISHED WITHOUT WRITTEN PERMISSION OF McElroy Manufacturing, Inc.



**SECTION A-A**  
ROTATED & CROPPED  
IN ASSEMBLED STATE



**DETAIL B**  
IN ASSEMBLED STATE

## McElroy Manufacturing Parts List

**Part Number:** 7800201 Talon 2000 Vehicle Assembly

### Part Number 7800201 Component List

Item	Component	Description	Quantity	Unit	Price
1	7800301	Talon 2000 Carriage Assembly	1.0	EA	0.00
2	7801001	Talon 2000 Chassis Assembly	1.0	EA	0.00
3	7804801	Brace Wld	2.0	EA	0.00
4	7811801	Carriage Lock	2.0	EA	0.00
5	7811901	Carriage Pin Wld	1.0	EA	0.00
6	7830101	Talon 2000 Power Pack Assembly	1.0	EA	0.00
7	MAB00003	1/4-20NCX3/4LG Hhcs	4.0	EA	0.31
8	MBE00005	1/4 Reg Splt Lck Washer Stl PL	4.0	EA	0.10
9	MBF00005	1/4 TY 'a' Wide FL Wshr Stl PL	4.0	EA	0.11
10	MCF00023	1DIAx2-5/16 Grip Clv Pin PL	6.0	EA	13.87
11	MCH00027	3/16DIAx2LG Cotter Pin (Effective to 2/12/15)	6.0	EA	0.40
11	MCH00026	.178DIAx3-3/4LG Hair Pin	6.0	EA	1.60
12	MDM00452	2-1/2" Spherical Bushing	1.0	EA	0.00
13	MFJ00002	1/8NPT Grease Zerk	1.0	EA	1.18
14	MAB00232	1/2-13NCx1-1/4LG Hhcs	1.0	EA	0.00
15	MBF00009	1/2 TY 'a' Wide FL Wshr Stl PL	1.0	EA	0.25
16	MLN00508	24V, 48X60 Motorized Rlr Shade	1.0	EA	0.00
17	MBA00003	#8-32NC Hex Nut Stl PL	4.0	EA	0.32

Please visit <https://fusion.mcelroy.com/parts> to purchase parts or for more information.