

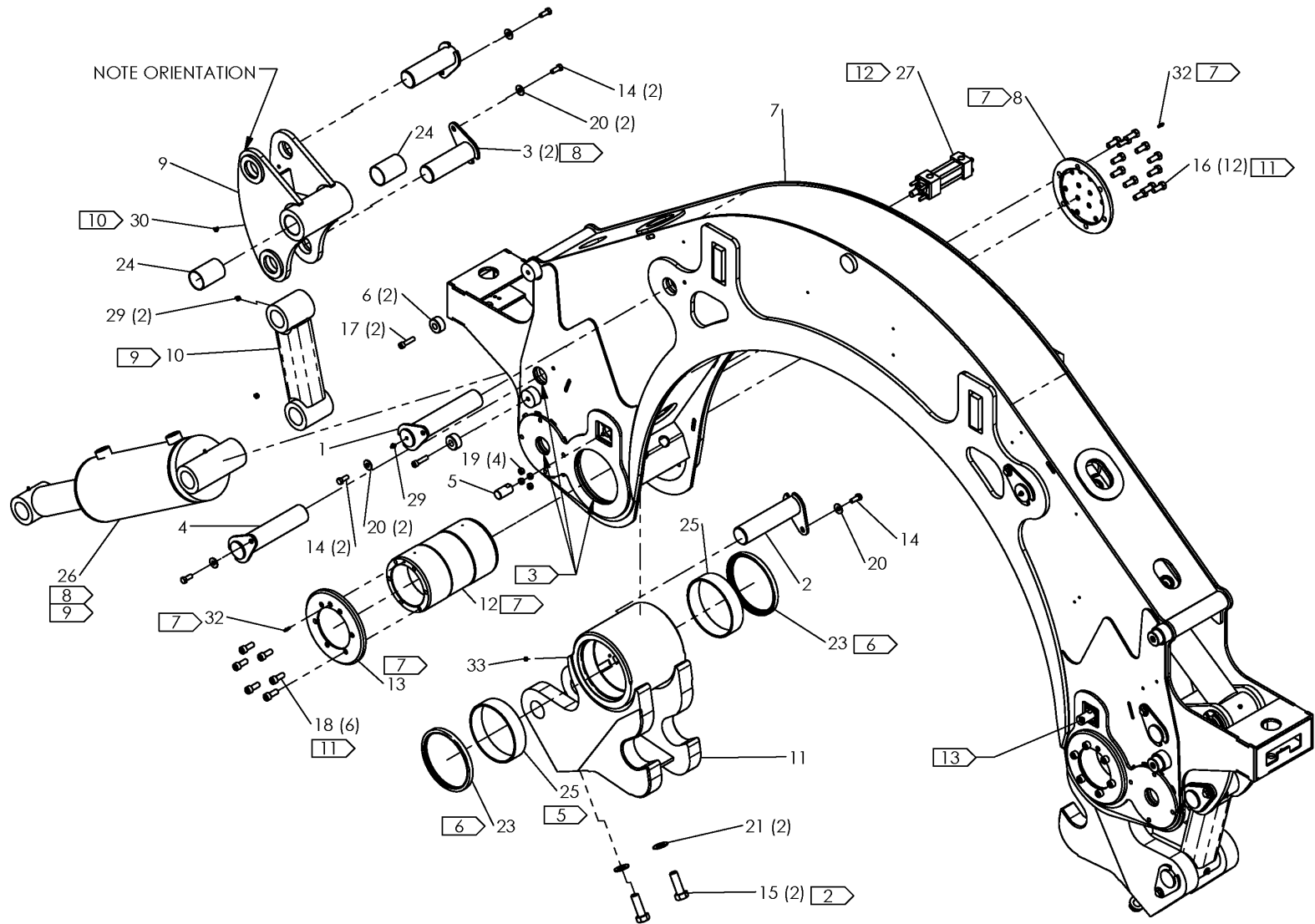


McElroy Manufacturing, Inc.
The leader by design.
Tulsa, Oklahoma U.S.A.

DRAWN: MRH CHECK: TMT APPRVD: BWJ DATE: 4/1/14 SHT No: 1A REV No: C PART No: 7801101

OUTER FIXED JAW ASSEMBLY

NOTE: THIS DRAWING AND THE INFORMATION CONTAINED THEREIN IS THE CONFIDENTIAL AND PROPRIETARY PROPERTY OF McElroy Manufacturing, Inc. THE DRAWING IS NOT TO BE REPRODUCED IN ANY MANNER, SUBMITTED TO OUTSIDE PARTIES FOR EXAMINATION, OR USED DIRECTLY OR INDIRECTLY FOR THE PURPOSES OTHER THAN THOSE FOR WHICH IT WAS FURNISHED WITHOUT WRITTEN PERMISSION OF McElroy Manufacturing, Inc.





McElroy Manufacturing, Inc.

The leader by design.

Tulsa, Oklahoma U.S.A.

DRAWN: MRH

CHECK: TMT

APPRVD: BWJ

DATE: 4/1/14

SHT No: 1B

REV No: C

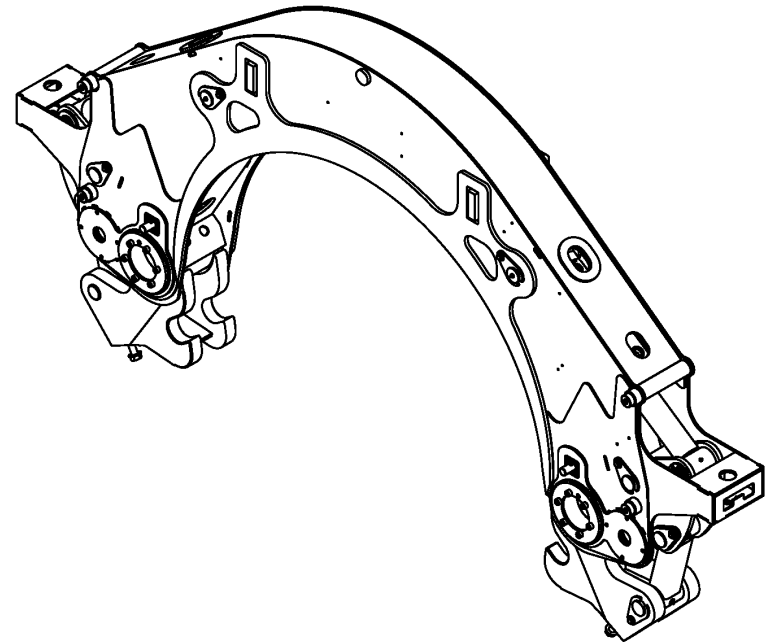
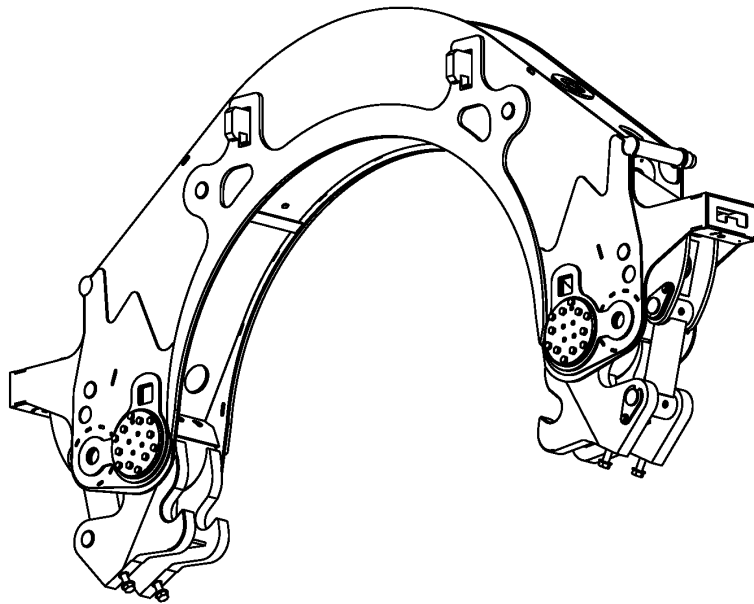
PART No: 7801101

OUTER FIXED JAW ASSEMBLY

NOTE: THIS DRAWING AND THE INFORMATION CONTAINED THEREIN IS THE CONFIDENTIAL AND PROPRIETARY PROPERTY OF McElroy Manufacturing, Inc. THE DRAWING IS NOT TO BE REPRODUCED IN ANY MANNER, SUBMITTED TO OUTSIDE PARTIES FOR EXAMINATION, OR USED DIRECTLY OR INDIRECTLY FOR THE PURPOSES OTHER THAN THOSE FOR WHICH IT WAS FURNISHED WITHOUT WRITTEN PERMISSION OF McElroy Manufacturing, Inc.

NOTES:

1. USE MEDIUM STRENGTH THREAD LOCKER ON ALL FASTENERS AND THREADED CONNECTIONS, EXCEPT GREASE ZERKS OR AS NOTED.
2. DO NOT USE THREAD LOCKER, HAND TIGHTEN JUST ENOUGH TO RETAIN.
3. BEFORE INSERTING MATING PARTS, COAT MACHINED BORES IN JAW WITH GREASE OR RUST PREVENTATIVE JELLY.
4. ITEMS SHOWN IN PARENTHESIS REFLECT QUANTITIES IN A LOCAL GROUP AND MAY NOT INDICATE TOTAL ASSEMBLY QUANTITIES.
5. PRESS IN BUSHINGS TO FULL SHOULDER DEPTH
6. PRESS IN SEALS TO FLUSH OR SLIGHTLY RECESSED AND WITH SEALING LIP POINTING INWARD.
7. ORIENT PIVOT TUBES SO GREASE ZERKS WILL BE OUTBOARD ON THE CARRIAGE ASSEMBLY. ORIENT RETAINING RINGS AND COVERS SO HOLE FOR ZERK LINES UP WITH 1/4-20 TAPS IN PIVOT TUBE ENDS.
8. DRAIN OIL FROM 8" CYLINDERS AND DISCARD OIL. REMOVE LOOSE O-RING ON ROD END (IF PRESENT) AND DISCARD. EXTEND CYLINDER TO 34 5/8" \pm 1/2" C-C ROD EYES, TO ALLOW INSERTION OF PINS IN TOGGLE. CYLINDER PORTS MUST FACE HOLES IN JAW.
9. ORIENT PARTS SO THAT ALL GREASE ZERKS ARE POINTING OUTBOARD.
10. DRIVE IN ANGLED GREASE ZERK WITH SPECIAL TOOL. ORIENT TIP TOWARDS HOLE IN TOGGLE GUSSET PLATE.
11. TORQUE TO 160 FT-LBS.
12. 1 1/2" CYLINDER PORTS FACE "UP".
13. TEES GO ON THIS CYLINDER.



McElroy Manufacturing Parts List

Part Number: 7801101 Talon 2000 Outer Fixed Jaw Assembly

Part Number 7801101 Component List

Item	Component	Description	Quantity	Unit	Price
1	7802101	Quarter Jaw Cyl Pin Wld	2.0	EA	0.00
2	7802102	Quarter Jaw Adptr Hub Pin Wld	2.0	EA	0.00
3	7802106	Toggle Lugs Pin Wld	4.0	EA	0.00
4	7802107	Toggle Hub Pin Wld	2.0	EA	0.00
5	7804601	Stripper Cyl Female Pusher	2.0	EA	0.00
6	7816003	Jaw Facer Rest Button	4.0	EA	0.00
7	7834101	Outer Fixed Jaw	1.0	EA	0.00
8	7834801	Fxd Jaw Otbrd Pvt Tub Rtnng Cvr	2.0	EA	0.00
9	7835101	Toggle	2.0	EA	0.00
10	7835201	Link	2.0	EA	0.00
11	7835301	Quarter Jaw Adapter Hub	2.0	EA	0.00
12	7835401	Fixed Pivot Tube	2.0	EA	0.00
13	7835901	Fxd Jaw Inbrd Pvt Tub Rtnng Rng	2.0	EA	0.00
14	MAB00232	1/2-13NCX1-1/4LG Hhcs	10.0	EA	0.00
15	MAB00202	1-8NCX4LG Hhcs GR8	4.0	EA	11.44
16	MAB00175	5/8-11NCX1-1/2 LG Hhcs GR8	24.0	EA	0.00
17	MAC00140	1/2-13NCX1-1/4LG Shcs PL	4.0	EA	3.10
18	MAC00448	5/8-11NCX1-1/2LG Shcs PL	12.0	EA	0.00
19	MBA00027	3/8-24NF Fnsh Hex Nut Stl PL	8.0	EA	0.00
20	MBF00009	1/2 TY 'a' Wide FL Wshr Stl PL	10.0	EA	0.25
21	MBG00107	1 Sae Flat Washer PL	2.0	EA	0.00
23	MDL00295	Lip Seal	4.0	EA	0.00
24	MDM00471	2.5X2.75X4 UC 200 Bushing	4.0	EA	0.00
25	MDM00473	8X8.5X2 UC 200 Bushing	4.0	EA	0.00
26	MEB00187	8B X 12S X 4R Hyd Cyl	2.0	EA	4,713.00
27	MEB00196	1-1/2B X 3S X 1R Hyd Cyl	2.0	EA	0.00
28	MFC00004	6MSAE Plug (Effective to 3/31/16)	4.0	EA	4.07
29	MFJ00002	1/8NPT Grease Zerk	6.0	EA	1.18
30	MFJ00022	1/4" 65DEG Driven Grease Zerk	2.0	EA	0.00
31	7800740	Talon 2000 Jaw Stripper Cylinder Hydraulic / Plumbing Schematic	1.0	EA	0.00
32	MFJ00026	1/4-28NF Grease Zerk	4.0	EA	0.00
33	MFJ00027	1/8NPT Grease Relief Fitting	2.0	EA	0.00

Please visit <https://fusion.mcelroy.com/parts> to purchase parts or for more information.