

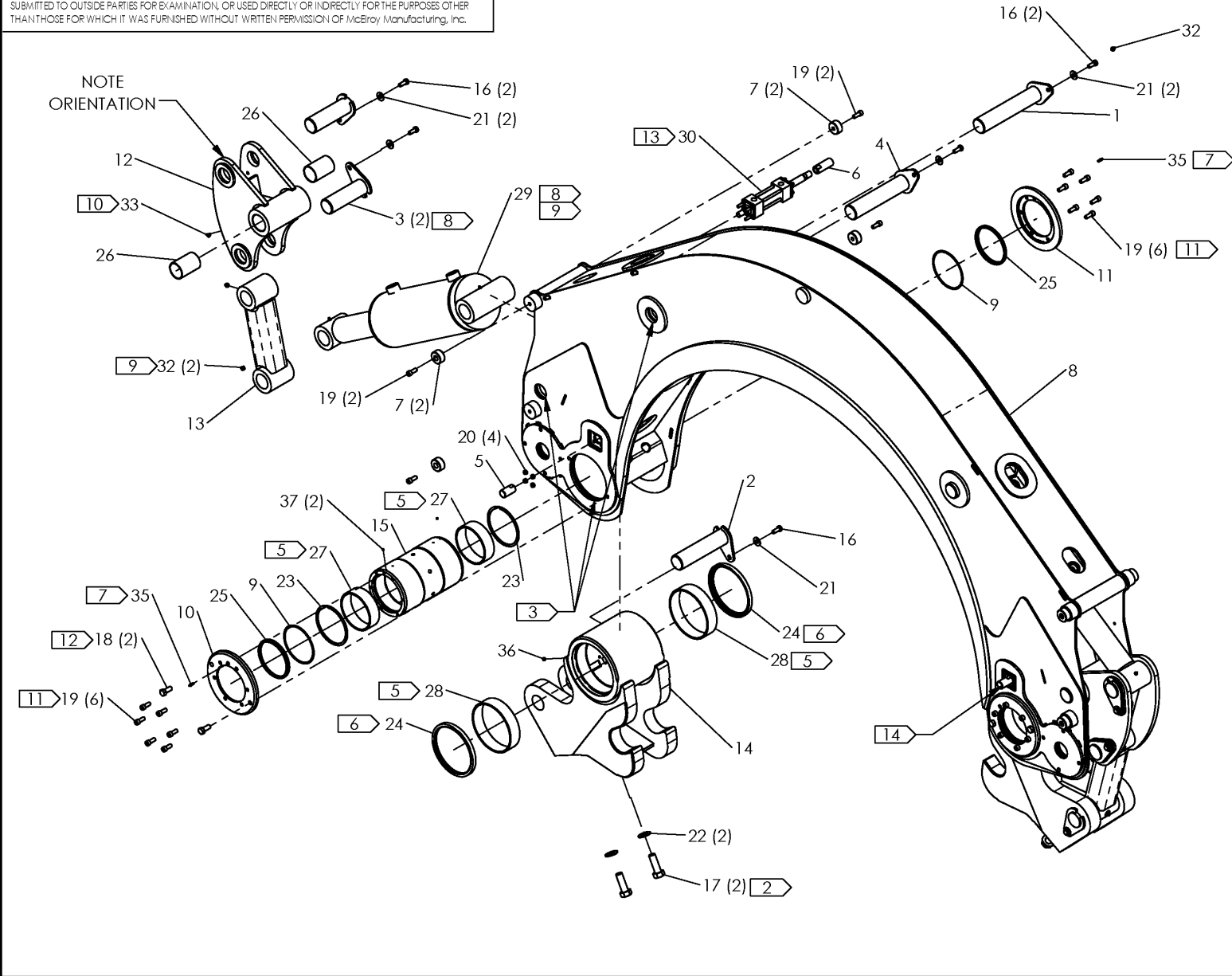


McElroy Manufacturing, Inc.  
The leader by design.  
Tulsa, Oklahoma U.S.A.

DRAWN: MRH    CHECK: TMT    APPR'VD: BWJ    DATE: 3/28/14    SHT No: 1A    REV No: C    PART No: 7801201

INNER FIXED JAW ASSEMBLY

NOTE: THIS DRAWING AND THE INFORMATION CONTAINED THEREIN IS THE CONFIDENTIAL AND PROPRIETARY PROPERTY OF McElroy Manufacturing, Inc. THE DRAWING IS NOT TO BE REPRODUCED IN ANY MANNER, SUBMITTED TO OUTSIDE PARTIES FOR EXAMINATION, OR USED DIRECTLY OR INDIRECTLY FOR THE PURPOSES OTHER THAN THOSE FOR WHICH IT WAS FURNISHED WITHOUT WRITTEN PERMISSION OF McElroy Manufacturing, Inc.





McElroy Manufacturing, Inc.

The leader by design.

Tulsa, Oklahoma U.S.A.

DRAWN: MRH

CHECK: TMT

APPRVD: BWJ

DATE: 3/28/14

SHT No: 1B

REV No: C

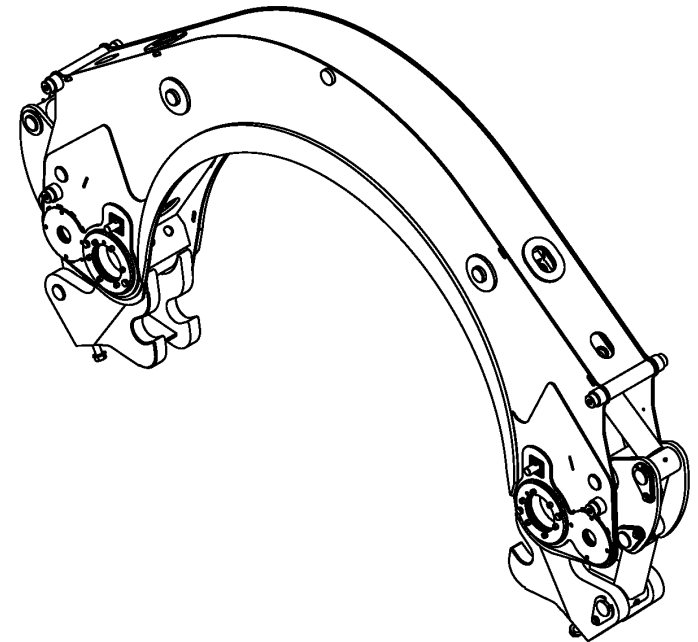
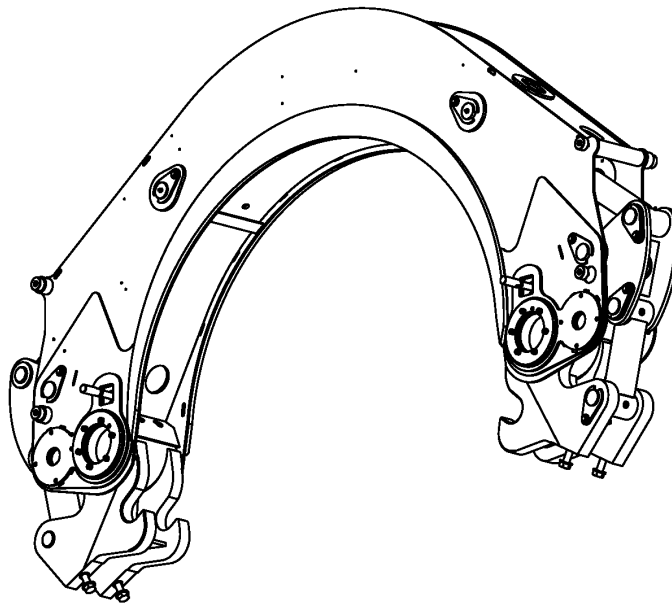
PART No: 7801201

### INNER FIXED JAW ASSEMBLY

NOTE: THIS DRAWING AND THE INFORMATION CONTAINED THEREIN IS THE CONFIDENTIAL AND PROPRIETARY PROPERTY OF McElroy Manufacturing, Inc. THE DRAWING IS NOT TO BE REPRODUCED IN ANY MANNER, SUBMITTED TO OUTSIDE PARTIES FOR EXAMINATION, OR USED DIRECTLY OR INDIRECTLY FOR THE PURPOSES OTHER THAN THOSE FOR WHICH IT WAS FURNISHED WITHOUT WRITTEN PERMISSION OF McElroy Manufacturing, Inc.

#### NOTES:

1. USE MEDIUM STRENGTH THREAD LOCKER ON ALL FASTENERS AND THREADED CONNECTIONS, EXCEPT DO NOT USE ON GREASE ZERKS OR AS NOTED.
2. DO NOT USE THREAD LOCKER, HAND TIGHTEN JUST ENOUGH TO RETAIN.
3. BEFORE INSERTING MATING PARTS, COAT MACHINED BORES IN JAW WITH GREASE OR RUST PREVENTATIVE JELLY.
4. ITEMS SHOWN IN PARENTHESIS REFLECT QUANTITIES IN A LOCAL GROUP AND MAY NOT INDICATE TOTAL ASSEMBLY QUANTITIES.
5. PRESS IN BUSHINGS TO FULL SHOULDER DEPTH
6. PRESS IN SEALS TO FLUSH OR SLIGHTLY RECESSED AND WITH SEALING LIP POINTING INWARD.
7. ORIENT PIVOT TUBES SO GREASE ZERKS WILL BE OUTBOARD ON THE CARRIAGE ASSEMBLY. ORIENT RETAINING RINGS AND COVERS SO HOLE FOR ZERK LINES UP WITH 1/4-20 TAPS IN PIVOT TUBE ENDS.
8. DRAIN OIL FROM 8" CYLINDERS AND DISCARD OIL. REMOVE LOOSE O-RING ON ROD END (IF PRESENT) AND DISCARD. EXTEND CYLINDER TO 34 5/8" ±1/2" C-C ROD EYES, TO ALLOW INSERTION OF PINS IN TOGGLE. CYLINDER PORTS MUST FACE HOLES IN JAW.
9. ORIENT PARTS SO THAT ALL GREASE ZERKS ARE POINTING OUTWARD.
10. DRIVE IN ANGLED GREASE ZERK WITH SPECIAL TOOL. ORIENT TIP TOWARDS HOLE IN TOGGLE GUSSET PLATE.
11. TORQUE TO 80 FT-LBS
12. TORQUE TO 160 FT-LBS
13. 1 1/2" CYLINDER PORTS FACE "UP".
14. TEES GO ON THIS CYLINDER.



## McElroy Manufacturing Parts List

**Part Number:** 7801201 Talon 2000 Inner Fixed Jaw Assembly

**Part Number 7801201 Component List**

Item	Component	Description	Quantity	Unit	Price
1	7802108	Quarter Jaw Cyl Pin Wld	2.0	EA	0.00
2	7802102	Quarter Jaw Adptr Hub Pin Wld	2.0	EA	0.00
3	7802106	Toggle Lugs Pin Wld	4.0	EA	0.00
4	7802107	Toggle Hub Pin Wld	2.0	EA	0.00
5	7804601	Stripper Cyl Female Pusher	2.0	EA	0.00
6	7804603	Dbl Rod Stripper Cyl Pusher	2.0	EA	0.00
7	7816003	Jaw Facer Rest Button	8.0	EA	0.00
8	7834201	Inner Fixed Jaw	1.0	EA	0.00
9	7834501	Seal Backup Plate	4.0	EA	0.00
10	7834901	Mov Jaw Inbrd Pvt Tub Rtng Rng	2.0	EA	0.00
11	7835001	Mov Jaw Otbrd Pvt Tub Rtng Rng	2.0	EA	0.00
12	7835101	Toggle	2.0	EA	0.00
13	7835201	Link	2.0	EA	0.00
14	7835301	Quarter Jaw Adapter Hub	2.0	EA	0.00
15	7835501	Movable Pivot Tube	2.0	EA	0.00
16	MAB00232	1/2-13NCX1-1/4LG Hhcs	10.0	EA	0.00
17	MAB00202	1-8NCX4LG Hhcs GR8	4.0	EA	11.44
18	MAB00175	5/8-11NCX1-1/2 LG Hhcs GR8	4.0	EA	0.00
19	MAC00140	1/2-13NCX1-1/4LG Shcs PL	32.0	EA	3.10
20	MBA00027	3/8-24NF Fnsh Hex Nut Stl PL	8.0	EA	0.00
21	MBF00009	1/2 TY 'a' Wide FL Wshr Stl PL	10.0	EA	0.25
22	MBG00107	1 Sae Flat Washer PL	4.0	EA	0.00
23	MCA00045	Internal Snap Ring	4.0	EA	0.00
24	MDL00295	Lip Seal	4.0	EA	0.00
25	MDL00302	Lip Seal With Wiper	4.0	EA	0.00
26	MDM00471	2.5X2.75X4 UC 200 Bushing	4.0	EA	0.00
27	MDM00472	6X6.5X2 UC 200 Bushing	4.0	EA	0.00
28	MDM00473	8X8.5X2 UC 200 Bushing	4.0	EA	0.00
29	MEB00187	8B X 12S X 4R Hyd Cyl	2.0	EA	4,713.00
30	MEB00197	1-1/2BX3SX1R Dbl Rod Hyd Cyl	2.0	EA	0.00
31	MFC00004	6MSAE Plug (Effective to 3/31/16)	4.0	EA	4.07
32	MFJ00002	1/8NPT Grease Zerk	6.0	EA	1.18
33	MFJ00022	1/4" 65DEG Driven Grease Zerk	2.0	EA	0.00
34	7800740	Talon 2000 Jaw Stripper Cylinder Hydraulic / Plumbing Schematic	1.0	EA	0.00
35	MFJ00026	1/4-28NF Grease Zerk	4.0	EA	0.00
36	MFJ00027	1/8NPT Grease Relief Fitting	2.0	EA	0.00
37	MFL00009	5MM Expansion Plug	4.0	EA	0.00

Please visit <https://fusion.mcelroy.com/parts> to purchase parts or for more information.