



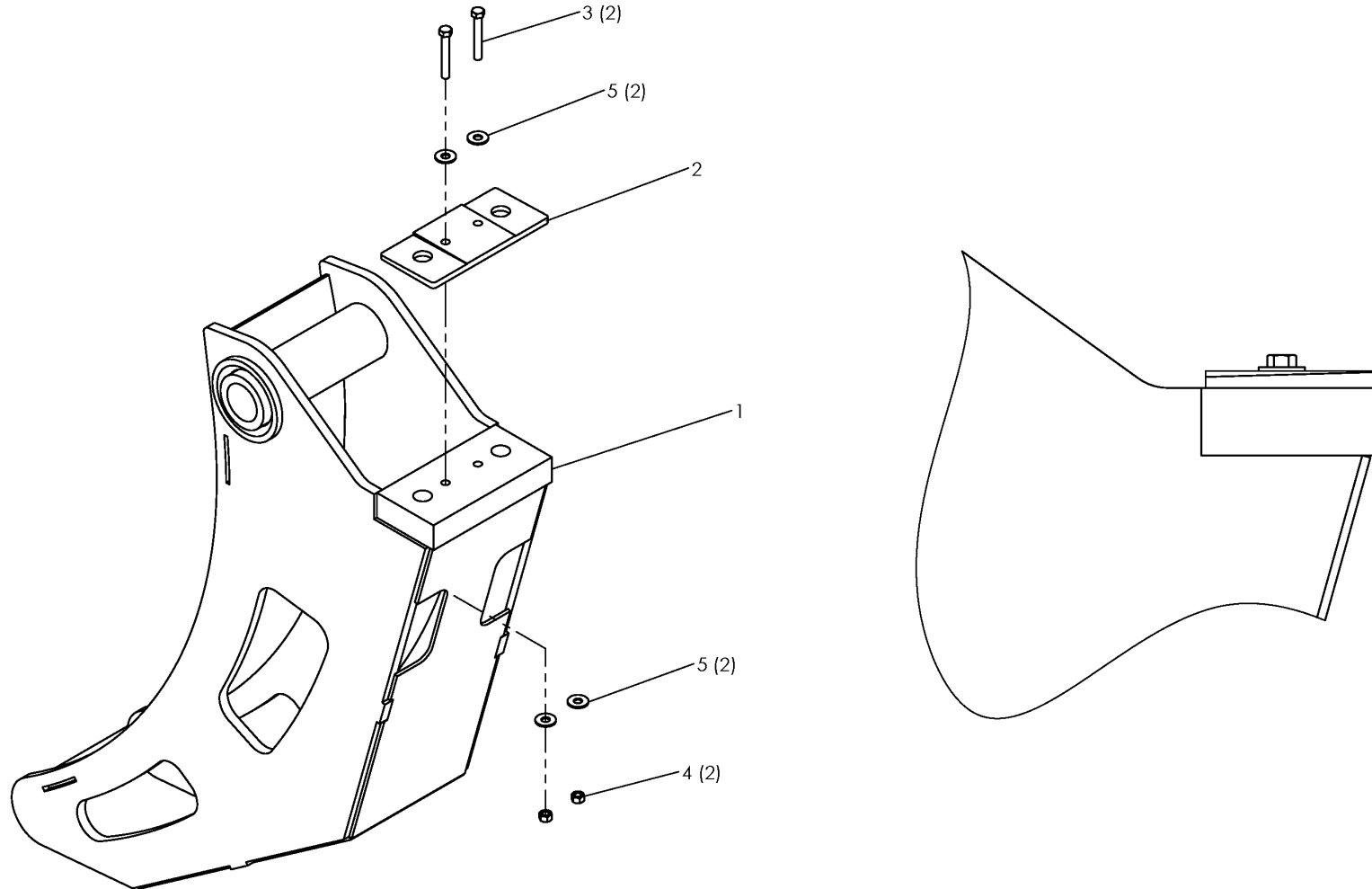
McElroy Manufacturing, Inc.
The leader by design.
Tulsa, Oklahoma U.S.A.

DRAWN: MRH	CHECK: TMT	APPRVD: JAL	DATE: 1/29/15	SHT No: 1	REV No:	PART No: 7834001
------------	------------	-------------	---------------	-----------	---------	------------------

2000mm QUARTER JAW FOR 3" CRUSH ASSEMBLY

NOTE: THIS DRAWING AND THE INFORMATION CONTAINED THEREIN IS THE CONFIDENTIAL AND PROPRIETARY PROPERTY OF McElroy Manufacturing, Inc. THE DRAWING IS NOT TO BE REPRODUCED IN ANY MANNER, SUBMITTED TO OUTSIDE PARTIES FOR EXAMINATION, OR USED DIRECTLY OR INDIRECTLY FOR THE PURPOSES OTHER THAN THOSE FOR WHICH IT WAS FURNISHED WITHOUT WRITTEN PERMISSION OF McElroy Manufacturing, Inc.

- NOTES:
1. ORIENT WEDGE AS SHOWN.
2. USE MEDIUM STRENGTH THREAD LOCKER.



McElroy Manufacturing Parts List

Part Number: 7834001 2000mm Quarter Jaw-3" Crush Assembly

Part Number 7834001 Component List

Item	Component	Description	Quantity	Unit	Price
1	7803001	Quarter Jaw	1.0	EA	0.00
2	7834002	WEDGE-3" Crush	1.0	EA	0.00
3	MAB00174	1/2-13NCX3-1/2LG Hhcs	2.0	EA	2.85
4	MBA00009	1/2-13NC Fnsh Hex Nut Stl PL	2.0	EA	0.46
5	MBF00009	1/2 TY 'a' Wide FL Wshr Stl PL	4.0	EA	0.25

Please visit <https://fusion.mcelroy.com/parts> to purchase parts or for more information.

