



McElroy Manufacturing, Inc.  
The leader by design.  
Tulsa, Oklahoma U.S.A.

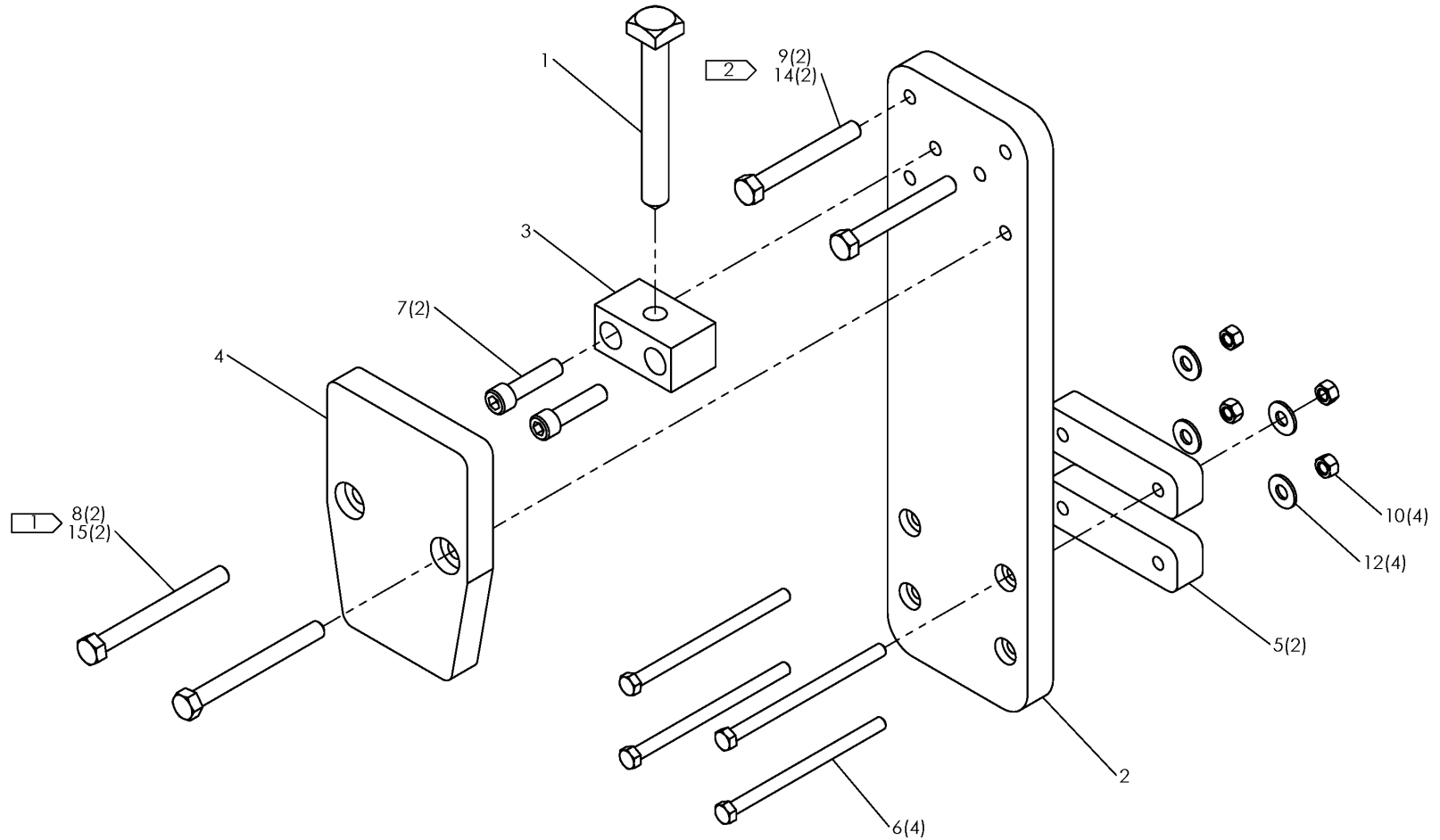
DRAWN: HECK    CHECK: XLM    APPRVD: BWJ    DATE: 11/18/16    SHT No: 1    REV No: A    PART No: 7850301

SLIDE CLAMP ASSEMBLY

NOTE: THIS DRAWING AND THE INFORMATION CONTAINED THEREIN IS THE CONFIDENTIAL AND PROPRIETARY PROPERTY OF McElroy Manufacturing, Inc. THE DRAWING IS NOT TO BE REPRODUCED IN ANY MANNER, SUBMITTED TO OUTSIDE PARTIES FOR EXAMINATION, OR USED DIRECTLY OR INDIRECTLY FOR THE PURPOSES OTHER THAN THOSE FOR WHICH IT WAS FURNISHED WITHOUT WRITTEN PERMISSION OF McElroy Manufacturing, Inc.

NOTES:

- 1. FOR STUB END FLANGE THICKNESS 2" - 4" USE ITEM #8,  
FOR STUB END FLANGE THICKNESS 4" - 6" USE ITEM #15.
- 2. FOR STUB END FLANGE THICKNESS 2" - 4" USE ITEM #9,  
FOR STUB END FLANGE THICKNESS 4" - 6" USE ITEM #14.



## McElroy Manufacturing Parts List

**Part Number:** 7850301 Side Clamp Assembly

### Part Number 7850301 Component List

Item	Component	Description	Quantity	Unit	Price
1	7850302	Alignment Bolt	1.0	EA	0.00
2	7850303	Slide Plate	1.0	EA	0.00
3	7850304	Alignment Spacer	1.0	EA	0.00
4	7850305	Over Clamp Plate	1.0	EA	0.00
5	7850306	Back Plate	2.0	EA	0.00
6	MAB00098	3/8-16NCX7-1/2LG Hhcs	4.0	EA	0.00
7	MAB00109	1/2-13NCX3LG Hhcs (Effective to 8/27/17)	2.0	EA	1.78
7	MAN00058	1/2-13NC X 2 LG Shcs SS	2.0	EA	2.94
8	MAB00113	1/2-13NCX5LG Hhcs (Effective to 8/27/17)	2.0	EA	2.36
8	MAH00291	1/2-13X5 Full Threaded Rod	2.0	EA	0.00
9	MAB00174	1/2-13NCX3-1/2LG Hhcs (Effective to 8/27/17)	2.0	EA	2.85
9	MAH00290	1/2-13X4 Full Threaded Rod	2.0	EA	0.00
10	MBA00007	3/8-16NC Fnsh Hex Nut Stl PL	4.0	EA	0.29
11	MBE00009	1/2 Reg Splt Lck Washer Stl PL (Effective to 8/27/17)	2.0	EA	0.18
12	MBF00007	3/8 TY 'a' Wide FL Wshr Stl PL	4.0	EA	0.11
13	MBF00009	1/2 TY 'a' Wide FL Wshr Stl PL (Effective to 8/27/17)	4.0	EA	0.25
14	MAH00292	1/2-13X6 Full Threaded Rod	2.0	EA	0.00
15	MAH00293	1/2-13X7 Full Threaded Rod	2.0	EA	0.00

Please visit <https://fusion.mcelroy.com/parts> to purchase parts or for more information.