

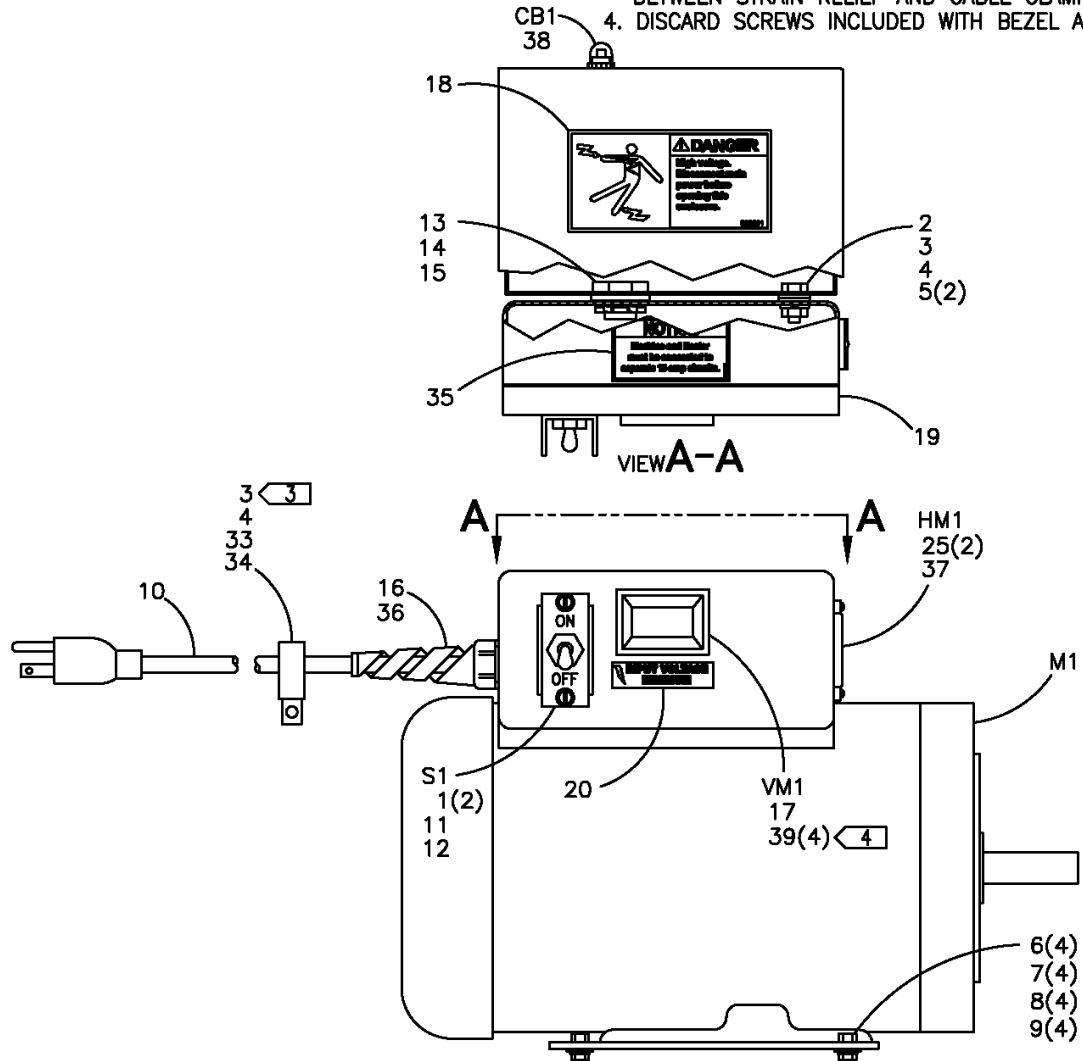


**McElroy Manufacturing, Inc.**  
The leader by design.  
Tulsa, Oklahoma U.S.A.

DRAWN: TLW	CHECK: SWB	APPR'D: B	DATE: 01/05/96	DWG No: 846900	SHT No: 1A	REV No: N	PART No: 846901
#28 ELECTRICAL BOX/MOTOR SUB-ASSEMBLY 120V, 60Hz, 1Ph							CAD No: 846901

NOTE: THIS DRAWING AND THE INFORMATION CONTAINED THEREIN IS THE CONFIDENTIAL AND PROPRIETARY PROPERTY OF McElroy Manufacturing, Inc. THE DRAWING IS NOT TO BE REPRODUCED IN ANY MANNER, SUBMITTED OUTSIDE PARTIES FOR EXAMINATION, OR USED DIRECTLY OR INDIRECTLY FOR THE PURPOSES OTHER THAN THOSE FOR WHICH IT WAS FURNISHED WITHOUT WRITTEN PERMISSION OF McElroy Manufacturing, Inc.

- NOTES:
1. COVER LEADS OF VARISTOR (RV1) WITH INSULATION STRIPPED FROM WIRE USED IN ASSEMBLY.
  2. WIRE (ITEMS 21, 22 AND 23) NOT SHOWN ON DRAWING.
  3. INSTALL ON MOTOR MOUNTING PLATE WITH (1) APPROX.  $\phi 6"$  COIL OF CABLE BETWEEN STRAIN RELIEF AND CABLE CLAMP.
  4. DISCARD SCREWS INCLUDED WITH BEZEL AND INSTALL WITH ITEM 39 SCREWS.

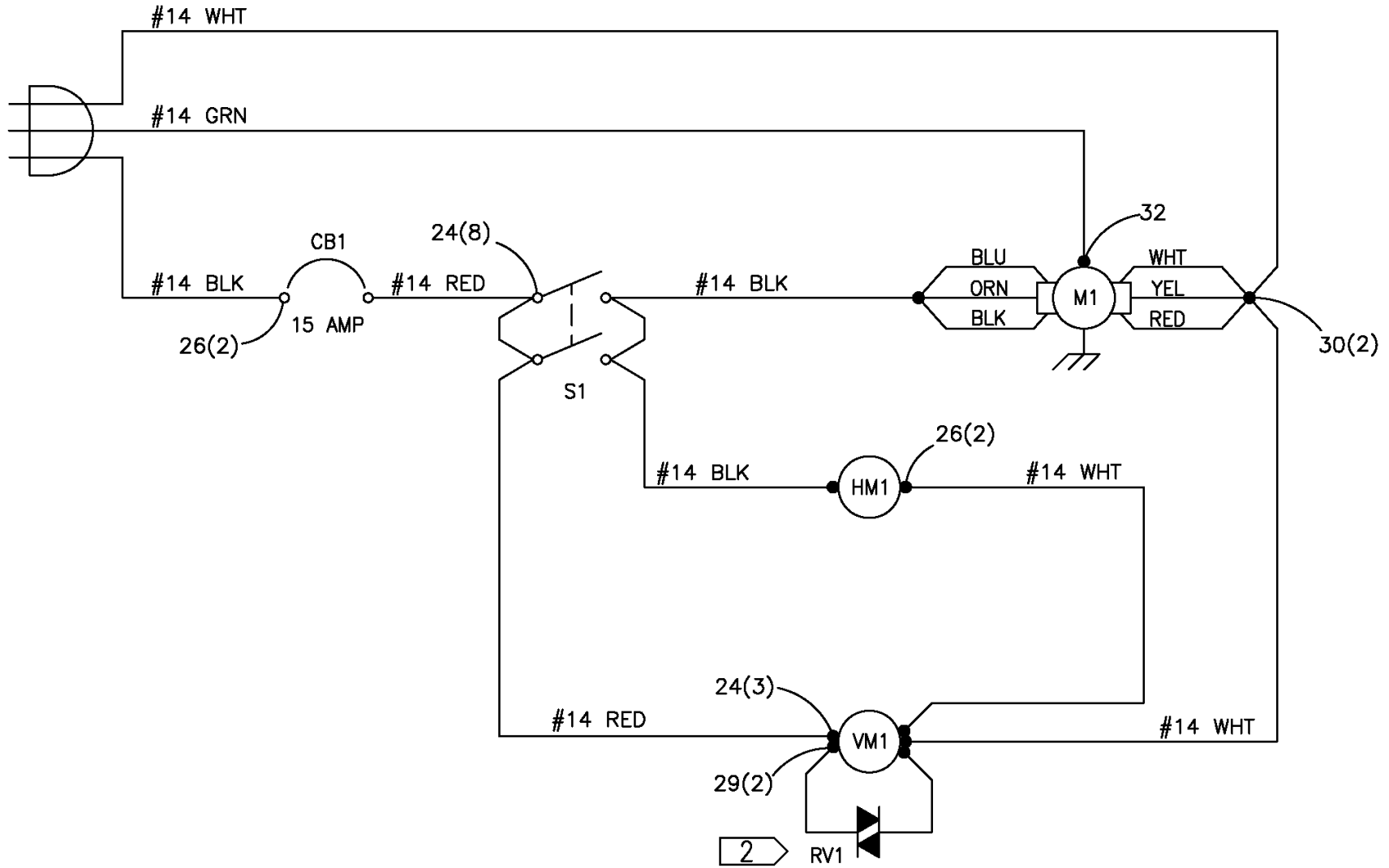




**McElroy Manufacturing, Inc.**  
 The leader by design.  
 Tulsa, Oklahoma U.S.A.

DRAWN: TLW	CHECK: SWB	APPR'D: B	DATE: 02/20/96	DWG No: 846900	SHT No: 1B	REV No: N	PART No: 846901
#28 ELECTRICAL BOX/MOTOR SUB-ASSEMBLY 120V, 60Hz, 1PH							CAD No: 846901

NOTE: THIS DRAWING AND THE INFORMATION CONTAINED THEREIN IS THE CONFIDENTIAL AND PROPRIETARY PROPERTY OF McElroy Manufacturing, Inc. THE DRAWING IS NOT TO BE REPRODUCED IN ANY MANNER, SUBMITTED OUTSIDE PARTIES FOR EXAMINATION, OR USED DIRECTLY OR INDIRECTLY FOR THE PURPOSES OTHER THAN THOSE FOR WHICH IT WAS FURNISHED WITHOUT WRITTEN PERMISSION OF McElroy Manufacturing, Inc.



## McElroy Manufacturing Parts List

**Part Number:** 846901 28 120V,60Hz,1Ph Box/Motor Sub Assembly



8 120,60,1 box/mtr sub-assy

### Part Number 846901 Component List

Item	Component	Description	Quantity	Unit	Price
CB1	MLS00002	15 Amp Circuit Breaker	1.0	EA	33.22
HM1	MKH00005	A/c Multi-range Hour Meter	1.0	EA	64.00
M1	837804	120,60 Motor Mod	1.0	EA	1,395.00
RV1	MQH00031	275V, 23JOULES Mov	1.0	EA	2.06
S1	MKE00004	Dpdt On-off Toggle Switch	1.0	EA	73.88
VM1	MKH00080	85-264 Vrms Digital Voltmeter	1.0	EA	229.00
1	MAH00036	#6-32NCX3/8LG Hwh TC Scr	2.0	EA	0.29
2	MAB00002	1/4-20NCX1/2LG Hhcs (Effective 1/4/96 to 2/24/19)	1.0	EA	0.18
2	MAC00052	1/4-20NCX5/8LG Shcs PL	1.0	EA	0.49
3	MBA00005	1/4-20NC Fnsh Hex Nut Stl PL	2.0	EA	0.32
4	MBE00005	1/4 Reg Splt Lck Washer Stl PL	2.0	EA	0.10
5	MBF00005	1/4 TY 'a' Wide FL Wshr Stl PL (Effective 1/4/96 to 1/29/19)	1.0	EA	0.11
5	MBG00092	1/4" Silicone Sealing Washer	2.0	EA	0.00
6	MAB00033	5/16-18NCX1LG Hhcs	4.0	EA	0.42
7	MBA00006	5/16-18NC Fnsh Hex Nut Stl PL	4.0	EA	0.33
8	MBE00006	5/16 Reg Splt Lck Wshr Stl PL	4.0	EA	0.11
9	MBF00006	5/16TY 'a' Wide FL Wshr Stl PL	4.0	EA	0.11
10	MLE00010	#14/3 EL CABLE&CS90 Plug X20FT	1.0	EA	106.00
11	MLG00001	Switch Guard	1.0	EA	2.63
12	MLH00001	Switch Boot	1.0	EA	5.67
13	MLJ00045	3/4X1/2 Reducer Washer (Effective 1/4/96 to 1/29/19)	1.0	EA	0.81
13	MLJ00004	1/2 Seal Ring	1.0	EA	5.24
14	MLJ00068	1/2" Npt X 1 LG Chase Nipple	1.0	EA	15.29
15	MLN00100	1/2" Conduit Lock Nut	1.0	EA	1.03
16	MLK00062	Strain Relief Connector	1.0	EA	21.85
17	MLN00384	Voltmeter Bezel (Effective 1/4/96 to 1/29/19)	1.0	EA	39.38
17	MLN00519	Meter Bezel W/gasket	1.0	EA	16.56

## McElroy Manufacturing Parts List

**Part Number:** 846901 28 120V,60Hz,1Ph Box/Motor Sub Assembly

18	829201	Danger High Voltage Label	1.0 EA	5.02
19	837903	Elec Box Mod	1.0 EA	398.00
20	816324	103 Min Input Voltage Label	1.0 EA	5.36
21	MLL00002	#14 Mtw/tew Elec Wire, Black	1.0 FT	0.00
22	MLL00052	#14 Mtw/tew Wire, White	1.0 FT	0.00
23	MLL00058	#14 Mtw/tew Wire, Red	1.0 FT	0.58
24	MLM00171	14-16 X #6 Ring Terminal	11.0 EA	1.96
25	MAE00004	#4-40NCX3/8LG Bhscs SS	2.0 EA	0.29
26	MLM00017	14-16 X 1/4 Female Disconnect	4.0 EA	0.89
29	MLM00092	18-22 X #6 Fork Terminal	2.0 EA	0.92
30	MLM00033	2/18-4/10 Red Wire Wing Nut (Effective 10/1/18 to 10/12/25)	2.0 EA	0.00
30	MQF00395	5 Pos Lever-nut Terminal Block	2.0 EA	2.88
31	MLM00016	2/16-5/10 Wire Nut (Effective 2/25/03 to 9/30/18)	1.0 EA	0.00
32	MLM00133	14-16 X #10 Ring Terminal	1.0 EA	0.55
33	MAB00003	1/4-20NCX3/4LG Hhcs	1.0 EA	0.31
34	MLJ00071	1/2 Loop Clamp	1.0 EA	2.72
35	8163169	28/250 Power Circuit Label	1.0 EA	12.22
36	MLJ00005	3/4 Seal Ring	1.0 EA	5.67
37	MLN00482	Hour Meter Gasket	1.0 EA	4.49
38	MLS00020	3/8-27NS-2B Ckt Breaker Boot	1.0 EA	5.27
39	MAJ00014	#2-56NCX1/4LG Phpms Stil PI/ss	4.0 EA	27.60

Please visit <https://fusion.mcelroy.com/parts> to purchase parts or for more information.