

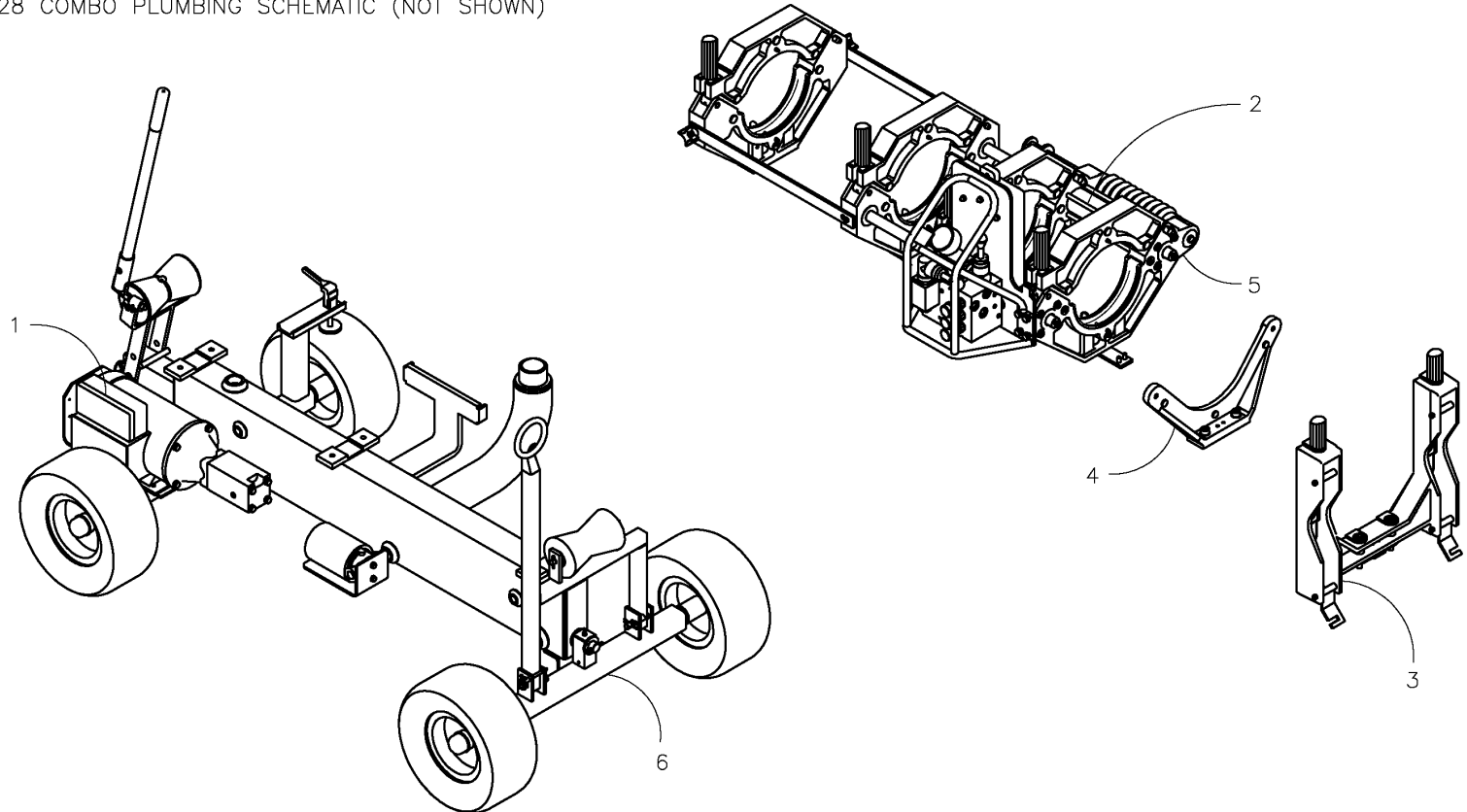


**McElroy Manufacturing, Inc.**  
 The leader by design.  
 Tulsa, Oklahoma U.S.A.

DRAWN: AH	CHECK: SWB	APPRV'D: B	DATE: 1/24/97	DWG No:	SHT No:	REV No: F	PART No:
#28 COMBINATION/BUTT DIPS FUSION MACHINE GROUPING FOR 850100 ASSEMBLIES							CAD No: _ASSY28

NOTE: THIS DRAWING AND THE INFORMATION CONTAINED THEREIN IS THE CONFIDENTIAL AND PROPRIETARY PROPERTY OF McElroy Manufacturing, Inc. THE DRAWING IS NOT TO BE REPRODUCED IN ANY MANNER, SUBMITTED OUTSIDE PARTIES FOR EXAMINATION, OR USED DIRECTLY OR INDIRECTLY FOR THE PURPOSES OTHER THAN THOSE FOR WHICH IT WAS FURNISHED WITHOUT WRITTEN PERMISSION OF McElroy Manufacturing, Inc.

- 1 - 839702 #28 ELEC. BOX/MOTOR SUB-ASSY. 100V, 50/60Hz, 1Ph
- 1 - 846901 #28 ELEC. BOX/MOTOR SUB-ASSY. 120V, 60Hz, 1Ph
- 1 - 840401 #28 ELEC. BOX/MOTOR SUB-ASSY. 200V, 50/60Hz, 1Ph w/ EURO PLUG
- 1 - 841401 #28 ELEC. BOX/MOTOR SUB-ASSY. 208-240V, 60Hz, 1Ph
- 1 - 839801 #28 ELEC. BOX/MOTOR SUB-ASSY. 220-240V, 50/60Hz, 1Ph w/ EURO PLUG
- 2 - 840301 #28 HIGH FORCE CYL. ASSY. SET (STD)
- 2 - 840302 #28 LOW FORCE CYL. ASSY. SET (XHV)
- 3 - 850201 #28 SIDEWALL CLAMP ASSY. (COMBINATION FUSION)
- 4 - 850202 #28 GUIDE ROD SUPPORT PLATE ASSY. (BUTT FUSION)
- 5 - 850203 #28 DIPS JAW SET ASSY.
- 6 - 840201 #28 ROLLING CHASSIS ASSY.
- 7 - 801304 #28 BUTT HYDRAULIC SCHEMATIC (NOT SHOWN)
- 7 - 801307 #28 COMBO HYDRAULIC SCHEMATIC (NOT SHOWN)
- 8 - 801302 #28 BUTT PLUMBING SCHEMATIC (NOT SHOWN)
- 8 - 801308 #28 COMBO PLUMBING SCHEMATIC (NOT SHOWN)



## McElroy Manufacturing Parts List

**Part Number:** 850108 28 DIPS HF 208-240V,60Hz,1Ph Combination Fusion Machine Assembly (Obsolete)

### Part Number 850108 Component List

Item	Component	Description	Quantity	Unit	Price
1	841401	28 208-240V,60Hz,1Ph Box/Motor Sub Assembly	1.0	EA	3,180.00
2	840301	28 HF Cylinder Assembly Set	1.0	S2	2,738.00
3	850201	28 Sidewall Clamp Assembly	1.0	EA	2,051.00
5	850203	No. 28 DIPS Jaw Set Assembly	1.0	EA	0.00
6	840201	No. 28 Rolling Chassis Assembly	1.0	EA	0.00
7	801307	No. 28 Combination Hydraulic Schematic	1.0	EA	0.00
8	801308	28 Combination Plumbing Schematic	1.0	EA	0.00

Please visit <https://fusion.mcelroy.com/parts> to purchase parts or for more information.

