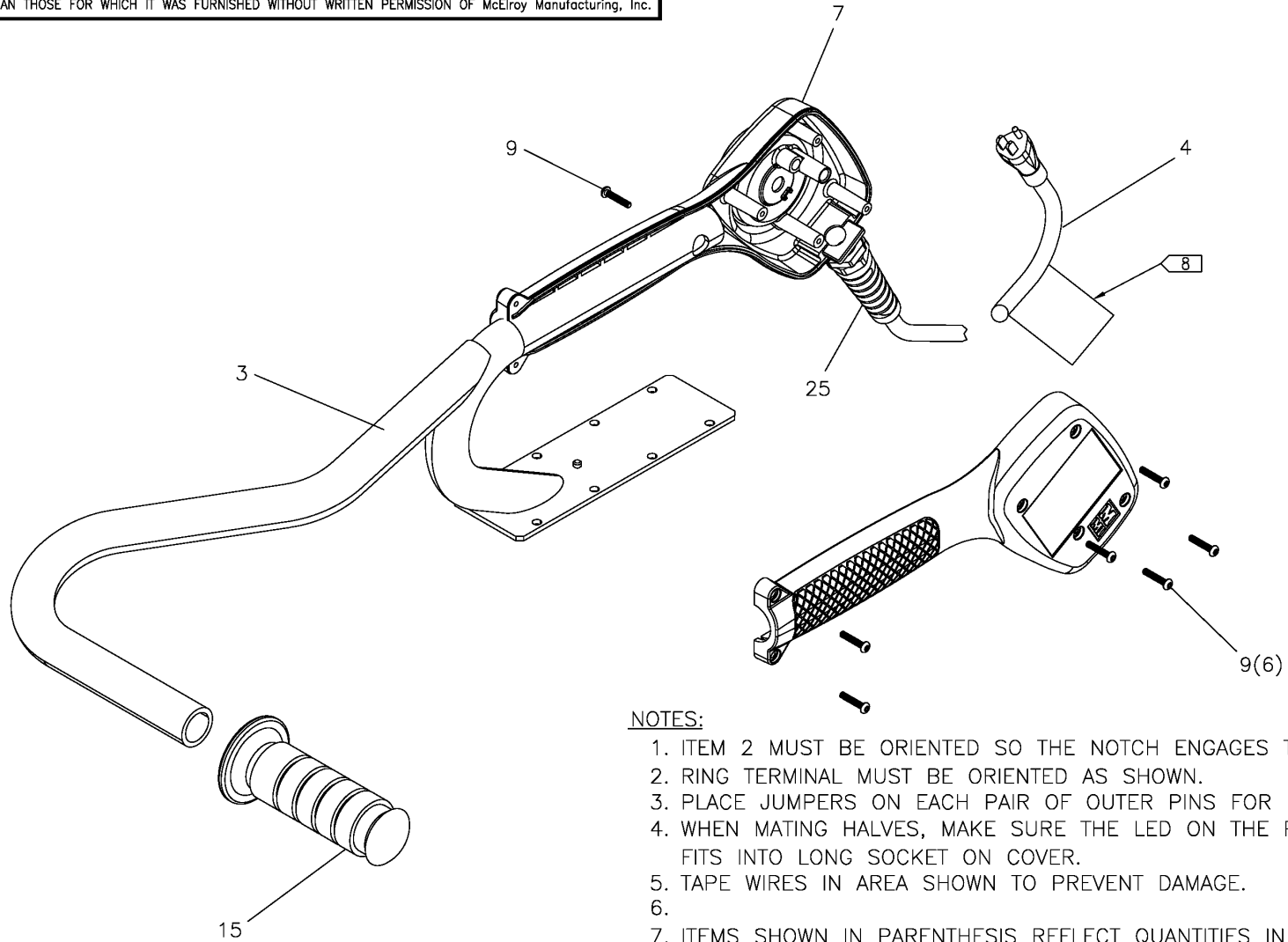




McElroy Manufacturing, Inc.
 The leader by design.
 Tulsa, Oklahoma U.S.A.

DRAWN: BWW	CHECK: TMT	APPRV'D: SWB	DATE: 06/14/02	DWG No: 855900	SHT No: 1A	REV No: K	PART No: 855901
8" 100-120V,50/60Hz,1Ph HEATER HANDLE/CONTROLLER ASSEMBLY							CAD No: 855901

NOTE: THIS DRAWING AND THE INFORMATION CONTAINED THEREIN IS THE CONFIDENTIAL AND PROPRIETARY PROPERTY OF McElroy Manufacturing, Inc. THE DRAWING IS NOT TO BE REPRODUCED IN ANY MANNER, SUBMITTED OUTSIDE PARTIES FOR EXAMINATION, OR USED DIRECTLY OR INDIRECTLY FOR THE PURPOSES OTHER THAN THOSE FOR WHICH IT WAS FURNISHED WITHOUT WRITTEN PERMISSION OF McElroy Manufacturing, Inc.



NOTES:

1. ITEM 2 MUST BE ORIENTED SO THE NOTCH ENGAGES THE KEY ON ITEM 7.
2. RING TERMINAL MUST BE ORIENTED AS SHOWN.
3. PLACE JUMPERS ON EACH PAIR OF OUTER PINS FOR 100-120V OPERATION.
4. WHEN MATING HALVES, MAKE SURE THE LED ON THE PC BOARD FITS INTO LONG SOCKET ON COVER.
5. TAPE WIRES IN AREA SHOWN TO PREVENT DAMAGE.
- 6.
7. ITEMS SHOWN IN PARENTHESIS REFLECT QUANTITIES IN A LOCAL GROUP AND DO NOT INDICATE TOTAL ASSEMBLY QUANTITIES.
8. FOR REPLACEMENT LABEL ONLY ORDER 410906.
9. THESE ITEMS MAY NOT BE NECESSARY IF THE HEATER ELEMENT LEADS ARE OF SUFFICIENT LENGTH.

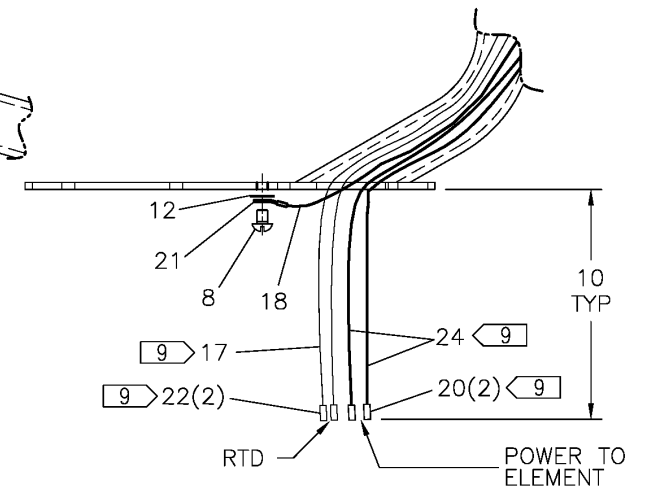
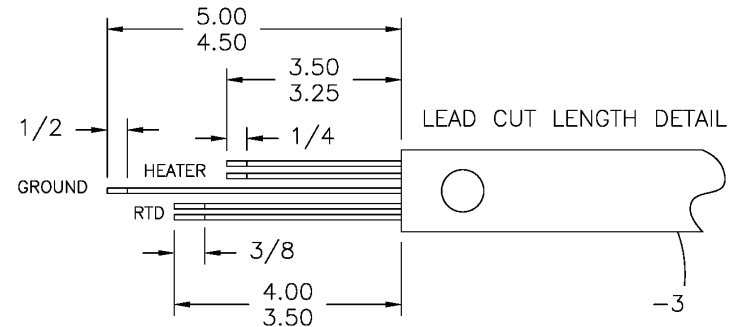
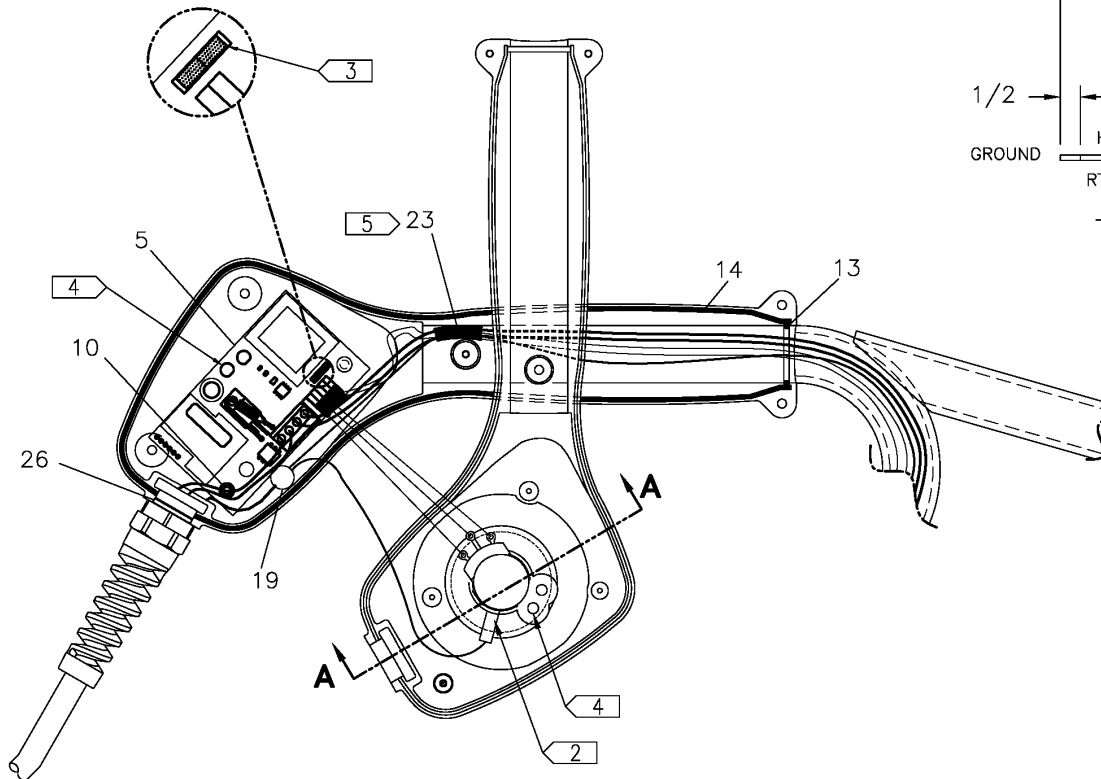
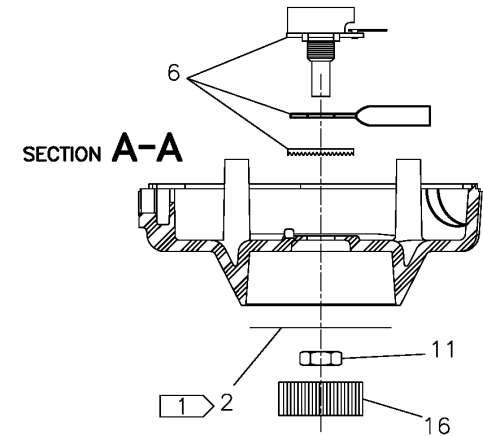
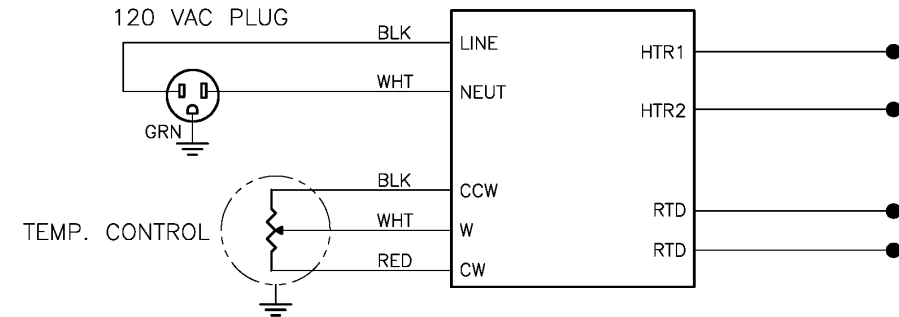




McElroy Manufacturing, Inc.
The leader by design.
Tulsa, Oklahoma U.S.A.

DRAWN: BWW	CHECK: TMT	APPRV'D: SWB	DATE: 06/14/02	DWG No: 855900	SHT No: 1B	REV No: K	PART No: 855901
8" 100-120V,50/60Hz,1Ph HEATER HANDLE/CONTROLLER ASSEMBLY							CAD No: 855901

NOTE: THIS DRAWING AND THE INFORMATION CONTAINED THEREIN IS THE CONFIDENTIAL AND PROPRIETARY PROPERTY OF McElroy Manufacturing, Inc. THE DRAWING IS NOT TO BE REPRODUCED IN ANY MANNER, SUBMITTED OUTSIDE PARTIES FOR EXAMINATION, OR USED DIRECTLY OR INDIRECTLY FOR THE PURPOSES OTHER THAN THOSE FOR WHICH IT WAS FURNISHED WITHOUT WRITTEN PERMISSION OF McElroy Manufacturing, Inc.



McElroy Manufacturing Parts List

Part Number: 855901 28 100-120V Heater Handle/Controller Assembly ((See A855901 for replacement kit including instruction sheet & hardware))

Part Number 855901 Component List

Item	Component	Description	Quantity	Unit	Price
1	410906	Dng Not Expln Proof Tag Label (Effective 7/15/02 to 12/1/09)	1.0	EA	4.20
2	816382	Temperature Scale Label	1.0	EA	7.33
3	838007	Heater Handle Wld	1.0	EA	193.00
4	853601	Replaced by A853602 (Effective 7/15/02 to 6/19/17)	1.0	EA	0.00
4	853602	15A/125V Cord W/nema 5-15 Plug	1.0	EA	70.92
5	T5030001	Heater Control Pcb Assy	1.0	EA	156.00
6	T5030002	Potentiometer Assy	1.0	EA	15.05
7	T5030103	Heater Handle/enclosure	1.0	EA	25.00
8	MAH00030	#10-24NCX1/4LG RhsmS SS	1.0	EA	0.30
9	MAL00010	#6-19X3/4LG Torx T15 Pan Hdscr	7.0	EA	0.56
10	MAL00011	#6-19X1/4LG Torx T15 Pan Hdscr	1.0	EA	0.66
11	MBA00067	3/8-32NEF X 0.22 X 1/4 Sealnut	1.0	EA	6.22
12	MBG00072	#10 Int Tooth Lock Washer	1.0	EA	0.29
13	MDL00018	O-ring	1.0	EA	0.61
14	MDL00243	.070DIA Buna-n O-ring Stock	2.167	FT	1.03
15	MJJ00009	1" Black Gloss Hand Grip	1.0	EA	3.86
16	MJJ00023	Control Knob	1.0	EA	5.24
17	MLL00116	#22 Type Tggt Elec Wire	5.0	FT	2.63
18	MLL00215	#14 Type Tggt Wire, Green/yel	2.083	FT	2.62
19	MLM00010	2/12-4/18 Closed End Splice	1.0	EA	1.20
20	MLM00012	14-16 Hi-temp Butt Splice	2.0	EA	0.42
21	MLM00013	14-16 X #10 Hi-temp Ring Term	1.0	EA	1.18
22	MLM00040	18-22 Hi-temp Butt Splice	2.0	EA	1.04
23	MLN00219	Fiberglass Tape (per Ft)	0.333	FT	0.56
24	MLL00020	#14 Type Tggt Wire	5.0	FT	2.48
25	434302	Power Cord Strain Relief	1.0	EA	14.35
26	MDL00248	O-ring	1.0	EA	0.30

Please visit <https://fusion.mcelroy.com/parts> to purchase parts or for more information.