



McElroy Manufacturing, Inc.
The leader by design.
Tulsa, Oklahoma U.S.A.

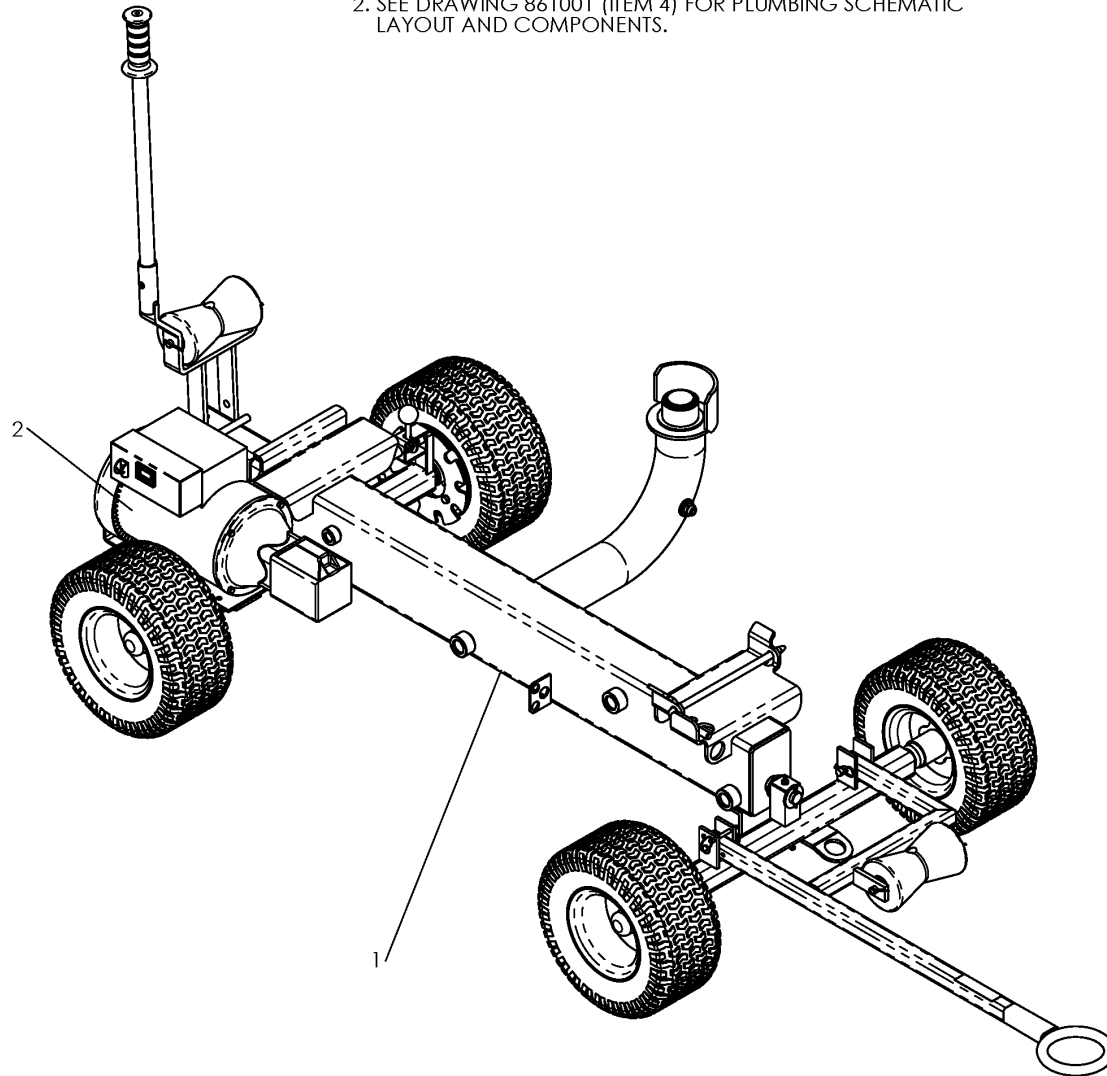
DRAWN: MLM	CHECK: SWB	APPRVD: SWB	DATE: 3/9/04	SHT No: 1	REV No: C	PART No: 860701
------------	------------	-------------	--------------	-----------	-----------	-----------------

#28 120V, 60Hz 1Ph ROLLING CHASSIS ASSEMBLY

NOTE: THIS DRAWING AND THE INFORMATION CONTAINED THEREIN IS THE CONFIDENTIAL AND PROPRIETARY PROPERTY OF McElroy Manufacturing, Inc. THE DRAWING IS NOT TO BE REPRODUCED IN ANY MANNER, SUBMITTED TO OUTSIDE PARTIES FOR EXAMINATION, OR USED DIRECTLY OR INDIRECTLY FOR THE PURPOSES OTHER THAN THOSE FOR WHICH IT WAS FURNISHED WITHOUT WRITTEN PERMISSION OF McElroy Manufacturing, Inc.

NOTES:

1. SEE DRAWING 860901 (ITEM 3) FOR HYDRAULIC SCHEMATIC LAYOUT AND COMPONENTS.
2. SEE DRAWING 861001 (ITEM 4) FOR PLUMBING SCHEMATIC LAYOUT AND COMPONENTS.



McElroy Manufacturing Parts List

Part Number: 860701 28 120V,60Hz,1Ph Rolling Chassis Assembly

Part Number 860701 Component List

Item	Component	Description	Quantity	Unit	Price
1	861201	28 Rolling Chassis Assembly	1.0	EA	0.00
2	846901	28 120V,60Hz,1Ph Box/Motor Sub Assembly	1.0	EA	2,382.00
2	907902	28 120V, 60Hz, 1Ph Box/Motor Sub Assembly (Effective 3/23/22 to 6/21/22)	1.0	EA	0.00
3	860901	28 Hydraulic Schematic	1.0	EA	0.00
4	861001	28 Plumbing Schematic	1.0	EA	0.00

Please visit <https://fusion.mcelroy.com/parts> to purchase parts or for more information.

