



McElroy Manufacturing, Inc.
The leader by design.
Tulsa, Oklahoma U.S.A.

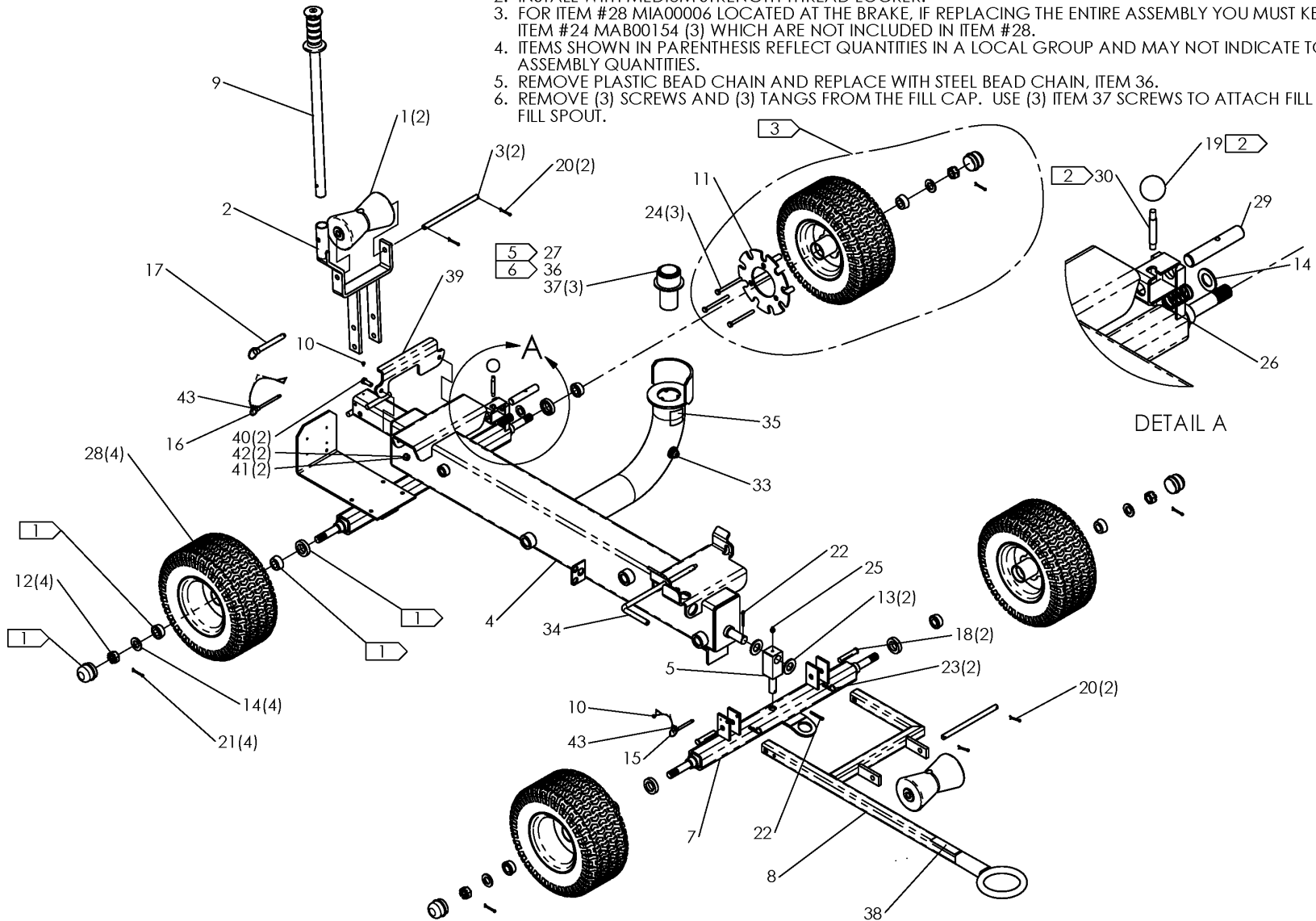
DRAWN: ALK CHECK: BLM APPRVD: JRP DATE: 7/14/03 SHT No: 1 REV No: P PART No: 861201

#28 ROLLING CHASSIS ASSEMBLY

NOTE: THIS DRAWING AND THE INFORMATION CONTAINED THEREIN IS THE CONFIDENTIAL AND PROPRIETARY PROPERTY OF McElroy Manufacturing, Inc. THE DRAWING IS NOT TO BE REPRODUCED IN ANY MANNER, SUBMITTED TO OUTSIDE PARTIES FOR EXAMINATION, OR USED DIRECTLY OR INDIRECTLY FOR THE PURPOSES OTHER THAN THOSE FOR WHICH IT WAS FURNISHED WITHOUT WRITTEN PERMISSION OF McElroy Manufacturing, Inc.

NOTES:

1. ITEM #28 MIA00006 CONTAINS: (1) MIB00007 GREASE CAP, (1) MDL00121 AND (2) MDM00125 BEARINGS, THESE PARTS MAY BE ORDERED SEPARATELY.
2. INSTALL WITH MEDIUM STRENGTH THREAD LOCKER.
3. FOR ITEM #28 MIA00006 LOCATED AT THE BRAKE, IF REPLACING THE ENTIRE ASSEMBLY YOU MUST KEEP ITEM #24 MAB00154 (3) WHICH ARE NOT INCLUDED IN ITEM #28.
4. ITEMS SHOWN IN PARENTHESIS REFLECT QUANTITIES IN A LOCAL GROUP AND MAY NOT INDICATE TOTAL ASSEMBLY QUANTITIES.
5. REMOVE PLASTIC BEAD CHAIN AND REPLACE WITH STEEL BEAD CHAIN, ITEM 36.
6. REMOVE (3) SCREWS AND (3) TANGS FROM THE FILL CAP. USE (3) ITEM 37 SCREWS TO ATTACH FILL CAP TO FILL SPOUT.



McElroy Manufacturing Parts List

Part Number: 861201 28 Rolling Chassis Assembly

Part Number 861201 Component List

Item	Component	Description	Quantity	Unit	Price
1	802104	Pipe Lift Roller W/zerk	2.0	EA	247.00
2	861901	Pipe Lift Roller Support Wld	1.0	EA	337.00
3	812801	Pipe Lift Roller Shaft	2.0	EA	34.42
4	861301	Replaced by A861307 (Effective 1/13/03 to 3/4/14)	1.0	EA	0.00
4	861307	Chassis Wld	1.0	EA	3,753.00
5	813305	Pivot Block/shaft	1.0	EA	167.00
7	813502	Front Axle Weldment	1.0	EA	579.00
8	862001	Tow Bar Wld	1.0	EA	198.00
9	402801	24Long Lever Handle Assembly	1.0	EA	52.10
10	MAH00140	#6-32NCX1/4LG Hwh TC Screw	2.0	EA	0.39
11	862201	Brake Plate Wld	1.0	EA	186.00
12	MBD00032	3/4-16NF Standard Slotted Nut	4.0	EA	1.01
13	MBF00013	7/8TY 'a' Nar Sae FL Wsh Stlpl	2.0	EA	0.52
14	MBG00004	3/4 Type 'an' FL Wshr Stl PL	5.0	EA	1.02
15	MCE00002	1/4DIAX2.00 Grip Detent Pin	1.0	EA	10.72
16	MCE00003	1/4 DIAX3.00 Grip Detent Pin	1.0	EA	7.94
17	MCE00015	1/2DIAX3.50 Grip Detent Pin	1.0	EA	28.45
18	MCF00007	1/2DIAX2-9/32 Grip Clv Pin PL	2.0	EA	8.18
19	MJJ00029	Red OR Black Ball Knob	1.0	EA	9.19
20	MCH00001	1/8DIAX1LG Cotter Pin	4.0	EA	0.12
21	MCH00002	1/8DIAX1-1/2LG Cotter Pin	4.0	EA	0.12
22	MCH00003	3/16DIAX1-1/2LG Cotter Pin	2.0	EA	0.15
23	MCH00015	3/8DIAX1-7/8LG Hair Pin	2.0	EA	0.51
24	MAB00159	5/16-24NFX3-1/2LG Hhcs	3.0	EA	0.72
25	MFJ00001	14-28NF Grease Zerk	1.0	EA	1.00
26	MJE00028	Compression Spring	1.0	EA	8.51
27	MFK00004	Black Filler Cap	1.0	EA	72.20
28	MIA00006	Wheel&tire Assyw/brgs,seal,cap	4.0	EA	234.00
29	1871601	Brake Plunger	1.0	EA	76.63
30	MJJ00028	Handle Shaft	1.0	EA	45.24
31	MJQ00025	.045 Dia Coated Cable (Effective 1/13/03 to 3/4/14)	2.0	FT	1.12
32	MJQ00026	Ferrule (Effective 1/13/03 to 3/4/14)	4.0	EA	1.01
33	MFJ00013	Oil Eye Lense & O-ring	1.0	EA	22.41
34	T1203201	Carriage Lock Bar	1.0	EA	19.07
35	8163106	Hyd Oil Specification Label	1.0	EA	10.69
36	MJQ00411	3/16" Steel Bead Chain	4.0	IN	0.60
37	MAH00193	#10-24NCX1LG Phrms	3.0	EA	0.49
38	8163220	Towing Speed Label	1.0	EA	5.47
39	860501	8 Rolling Chassis Hook Plate	1.0	EA	79.66
40	MAB00064	3/8-16NCX1LG Hhcs	2.0	EA	0.51
41	MBA00007	3/8-16NC Fnsh Hex Nut Stl PL	2.0	EA	0.29
42	MBE00007	3/8 Reg Splt Lck Wshr Stl PL	2.0	EA	0.12
43	MCK00099	3/64X6" 2-TERMINAL Lanyard	2.0	EA	5.80

Please visit <https://fusion.mcelroy.com/parts> to purchase parts or for more information.