



McElroy Manufacturing, Inc.
The leader by design.
Tulsa, Oklahoma U.S.A.

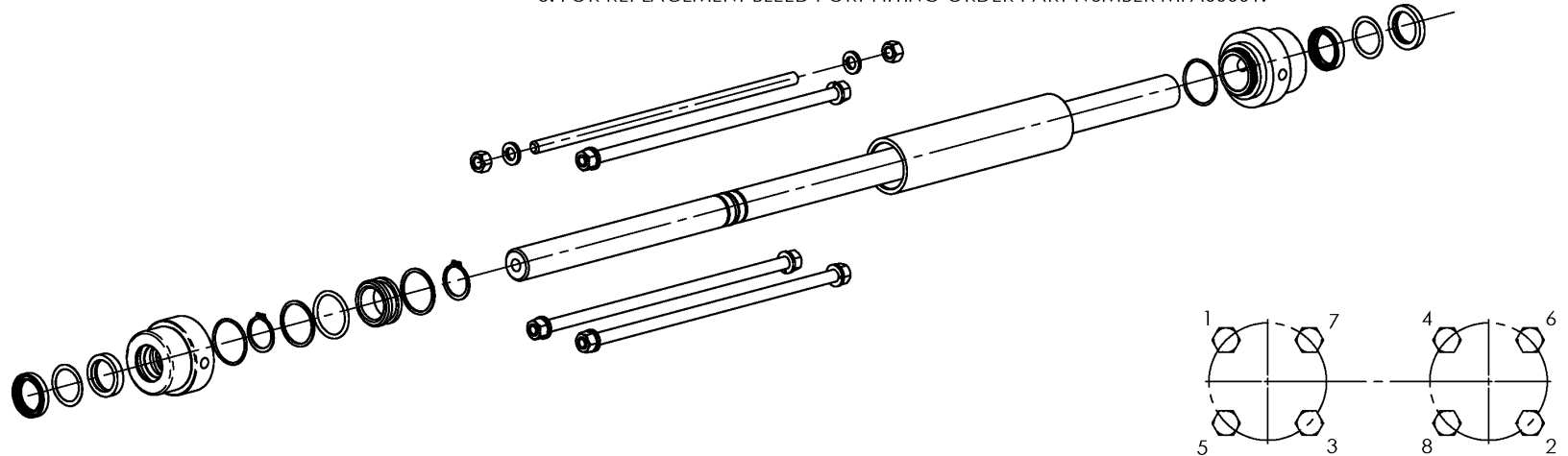
DRAWN: FAW CHECK: DWP APPRVD: SWB DATE: 8/06/07 SHT No: 1 REV No: D PART No: 887301

DynaMc 250 CYLINDER ASSEMBLY SET

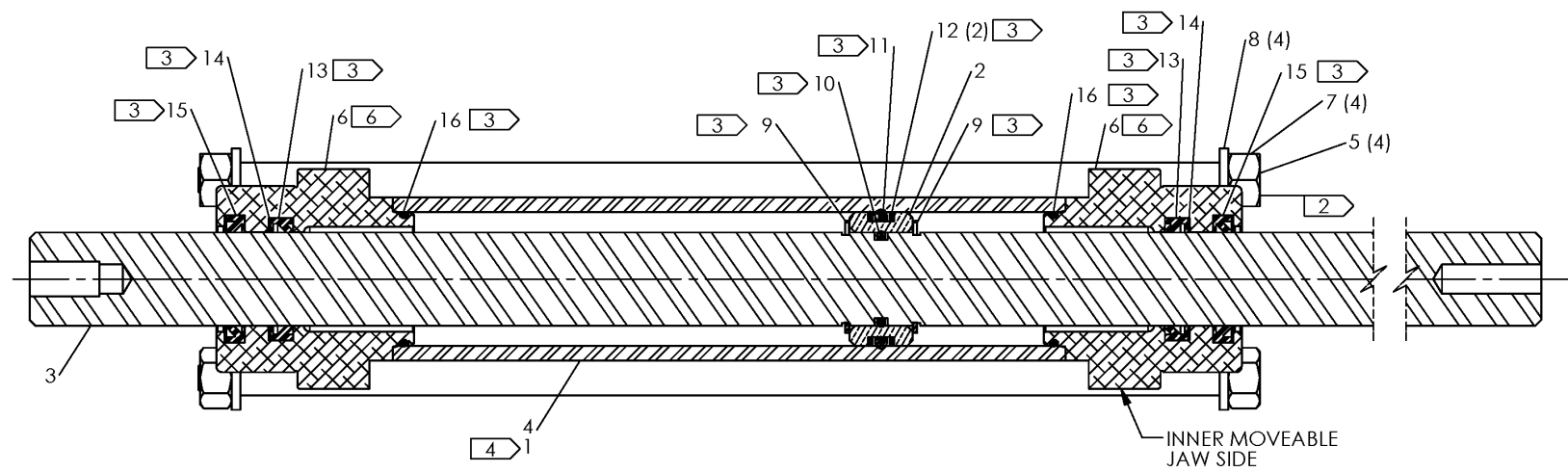
NOTE: THIS DRAWING AND THE INFORMATION CONTAINED THEREIN IS THE CONFIDENTIAL AND PROPRIETARY PROPERTY OF McElroy Manufacturing, Inc. THE DRAWING IS NOT TO BE REPRODUCED IN ANY MANNER, SUBMITTED TO OUTSIDE PARTIES FOR EXAMINATION, OR USED DIRECTLY OR INDIRECTLY FOR THE PURPOSES OTHER THAN THOSE FOR WHICH IT WAS FURNISHED WITHOUT WRITTEN PERMISSION OF McElroy Manufacturing, Inc.

NOTES:

1. TOTAL EFFECTIVE PISTON AREA = 1.66 SQ. IN.
2. INSTALL TIE RODS FLUSH WITH FINISHED NUTS ON THIS END ONLY.
3. THESE ITEMS ARE PART OF PART NUMBER A840802 SEAL KIT.
4. ATTACH TO THE OUTSIDE OF ONE CARRIAGE CYLINDER.
5. ITEMS SHOWN IN PARENTHESIS REFLECT QUANTITIES IN A LOCAL GROUP AND MAY NOT INDICATE TOTAL ASSEMBLY QUANTITIES.
6. FOR REPLACEMENT BLEED PORT FITTING ORDER PART NUMBER MFA00001.



TIE ROD TORQUE PROCEDURE:
TIGHTEN TIE ROD NUTS IN SEQUENCE
16-20 FT. LBS.



McElroy Manufacturing Parts List

Part Number: 887301 DynaMc Low Force Cylinder Assembly Set

Part Number 887301 Component List

Item	Component	Description	Quantity	Unit	Price
1	816371	1.66 SQ IN Tapa Label	1.0	EA	15.22
2	818801	LF Piston	2.0	EA	190.00
3	887601	Dynamc 250 Guide Rod	2.0	EA	395.00
4	887801	Dynamc 250 Low Force Cyl	2.0	EA	236.00
5	887901	Dynamc 250 Tie Rod	8.0	EA	52.43
6	888201	Dynamc 250 LF Rod Gland	4.0	EA	257.00
7	MBA00047	3/8-24NF Fnsh Hex Nut GR8 PL	16.0	EA	0.42
8	MBG00001	3/8 Type 'an' FL Wshr Stl PL	16.0	EA	0.26
9	MCB00006	Ext Snap Ring	4.0	EA	0.94
10	MDL00002	O-ring	2.0	EA	0.55
11	MDL00020	O-ring	2.0	EA	0.00
12	MDL00022	Back -up Ring	4.0	EA	1.38
13	MDL00030	Seal	4.0	EA	3.37
14	MDL00031	Washer	4.0	EA	4.91
15	MDL00032	Wiper	4.0	EA	7.91
16	MDL00183	O-ring	4.0	EA	0.90

Please visit <https://fusion.mcelroy.com/parts> to purchase parts or for more information.