



McElroy Manufacturing, Inc.
The leader by design.
Tulsa, Oklahoma U.S.A.

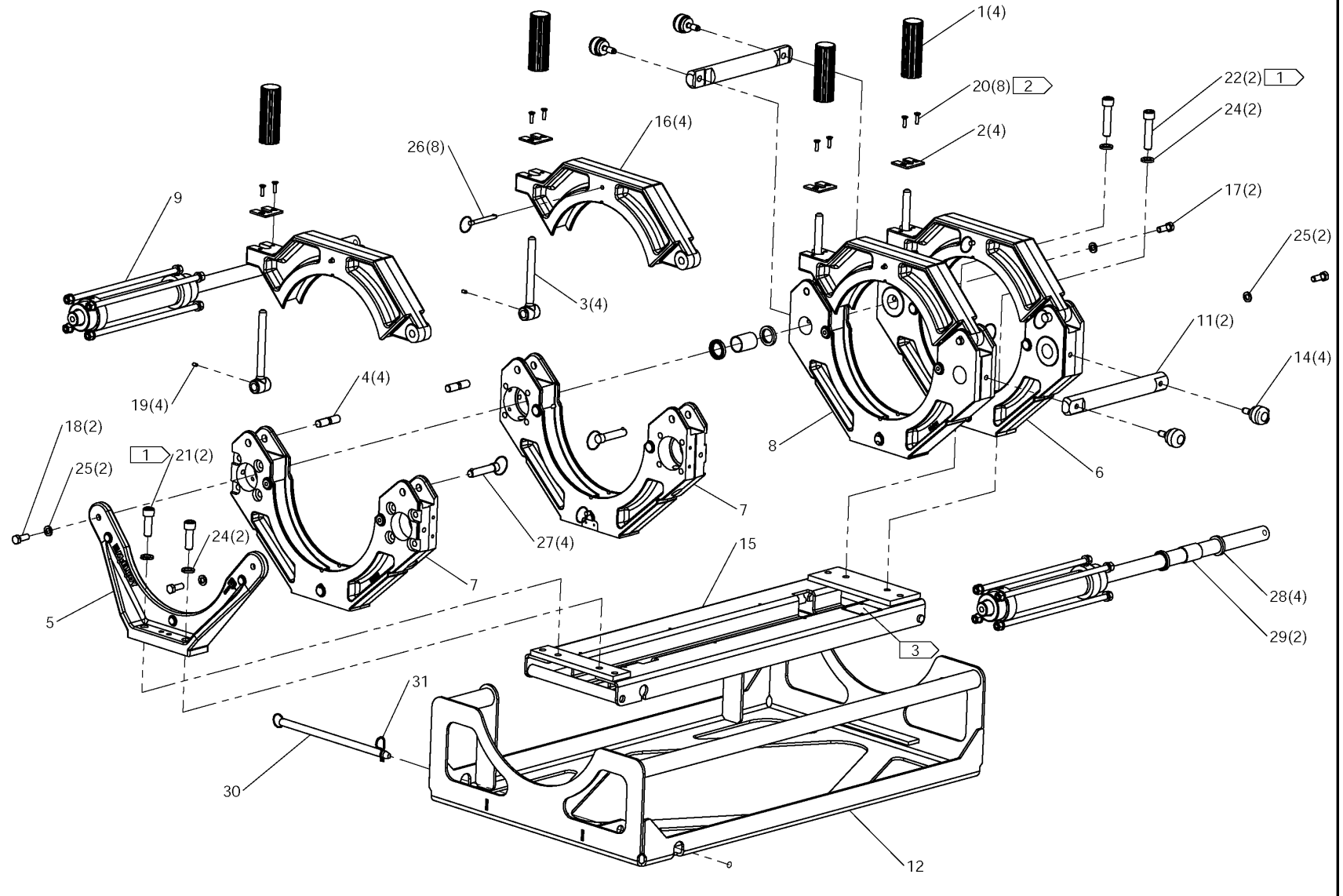
DRAWN: PJD CHECK: BLM APPRVD: DWP DATE: 12/10/09 SHT No: 1 REV No: B PART No: 900301

DynaMc® 250 EP 4 JAW CARRIAGE ASSEMBLY

NOTE: THIS DRAWING AND THE INFORMATION CONTAINED THEREIN IS THE CONFIDENTIAL AND PROPRIETARY PROPERTY OF McElroy Manufacturing, Inc. THE DRAWING IS NOT TO BE REPRODUCED IN ANY MANNER, SUBMITTED TO OUTSIDE PARTIES FOR EXAMINATION, OR USED DIRECTLY OR INDIRECTLY FOR THE PURPOSES OTHER THAN THOSE FOR WHICH IT WAS FURNISHED WITHOUT WRITTEN PERMISSION OF McElroy Manufacturing, Inc.

NOTES:

1. INSTALL WITH HIGH-TEMPERATURE ANTI-SEIZE COMPOUND.
2. INSTALL WITH HIGH STRENGTH THREAD LOCKING COMPOUND.
3. ATTACH NAMEPLATE AT FINAL ASSEMBLY USING (4) DRIVE SCREWS.



McElroy Manufacturing Parts List

Part Number: 900301 DynaMc 250 Electric Pump 4 Jaw Carriage Assembly

Part Number 900301 Component List

Item	Component	Description	Quantity	Unit	Price
1	A829101	Long Clamp Knob Assembly	4.0	EA	92.69
2	801701	Clamp Pad	4.0	EA	20.66
3	803901	Clamp Eyebolt	4.0	EA	97.38
4	808501	Clamp Pivot Pin	4.0	EA	16.45
5	811803	Guide Rod Support Plate	1.0	EA	325.00
6	886701	Dynamc 250 Outer Fix Jaw	1.0	EA	961.00
7	886801	Dynamc 250 Movable Jaw	2.0	EA	961.00
8	886901	Dynamc 250 Inner Fix Jaw	1.0	EA	961.00
9	887301	DynaMc Low Force Cylinder Assembly Set	1.0	S2	3,122.00
10	888301	Dynamc 250 All Thread (Effective to 6/14/10)	1.0	EA	0.00
11	888701	Dynamc 250 Brace	2.0	EA	167.00
12	892201	Dynamc 250 Roll Bar Skid Wld	1.0	EA	1,114.00
13	898601	DynaMc Electric Pump Carriage Hydraulic/Plumbing Schematic	1.0	EA	657.00
14	1268501	Dynamc Brace Knob	4.0	EA	151.00
15	1268701	Dynamc Skid Wld	1.0	EA	797.00
16	T2503402	Upper Jaw	4.0	EA	740.00
17	MAB00065	3/8-16NCX1-1/4LG Hhcs	2.0	EA	0.52
18	MAB00077	3/8-16NCX1LG Hhcs GR8	2.0	EA	0.70
19	MAG00002	#10-24NCX3/8LG Skt Set Scr	4.0	EA	1.27
20	MAN00001	#10-24NCX3/8 LG Fhcs SS	8.0	EA	0.41
21	MAN00002	1/2-13NCX1-1/2 LG Shcs SS	2.0	EA	3.46
22	MAN00068	1/2-13NC X 2-1/4 LG Shcs SS	2.0	EA	0.00
23	MBA00009	1/2-13NC Fnsh Hex Nut Stl PL (Effective to 6/14/10)	2.0	EA	0.46
24	MBE00009	1/2 Reg Splt Lck Washer Stl PL	4.0	EA	0.18
25	MBG00001	3/8 Type 'an' FL Wshr Stl PL	4.0	EA	0.26
26	MCE00002	1/4DIAX2.00 Grip Detent Pin	8.0	EA	10.72
27	MCE00006	1/2DIAX2.00 Grip Detent Pin	4.0	EA	12.47
28	MDL00051	1.00 ID X 1.25 OD 9815 Seal	4.0	EA	10.35
29	MDM00090	Bushing	2.0	EA	21.80
30	MCF00051	1/2DIAX9.68/9.63 Grip Clv Pin	1.0	EA	50.06
31	MCH00015	3/8DIAX1-7/8LG Hair Pin	1.0	EA	0.51

Please visit <https://fusion.mcelroy.com/parts> to purchase parts or for more information.