



McElroy Manufacturing, Inc.  
The leader by design.  
Tulsa, Oklahoma U.S.A.

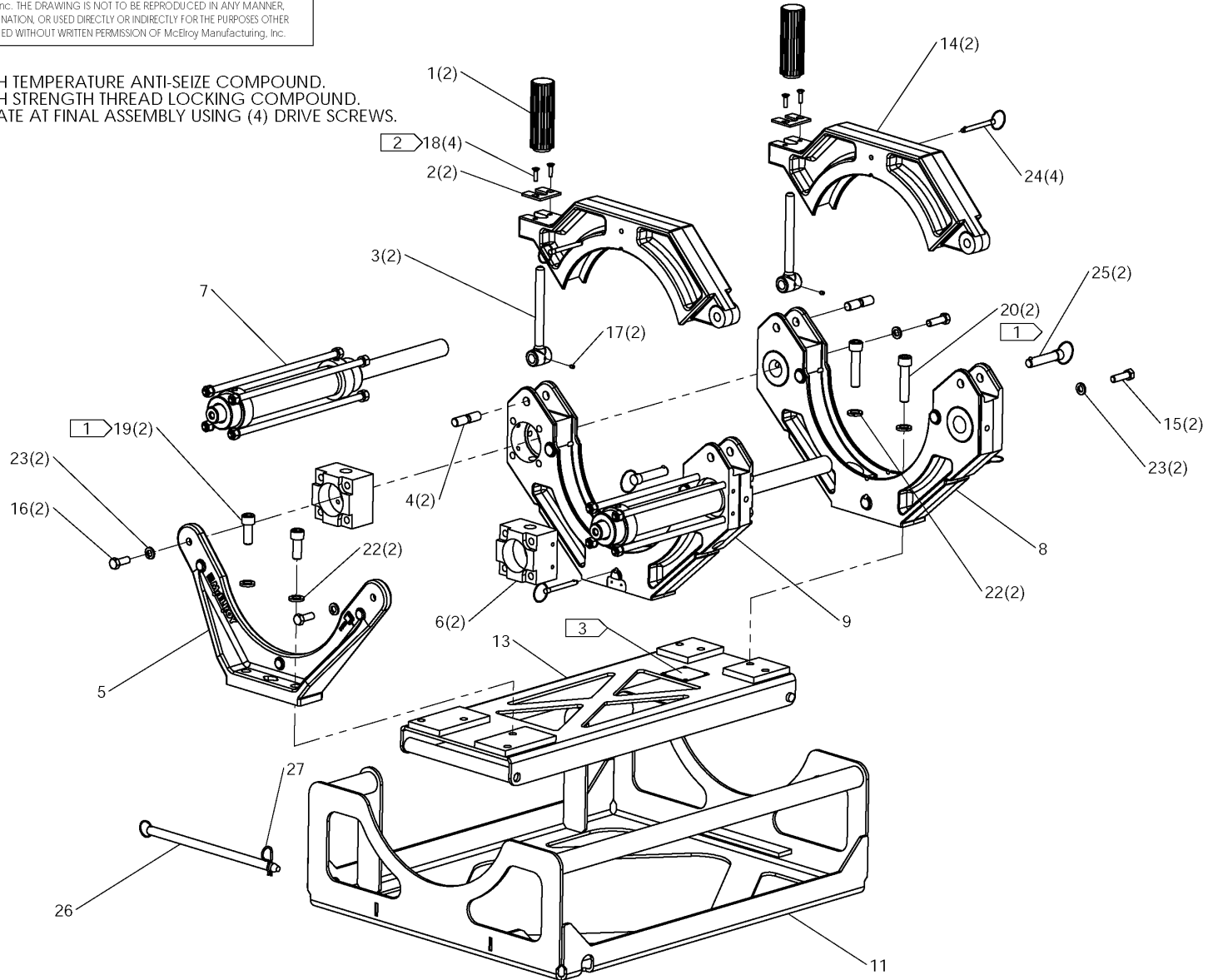
DRAWN: PJD CHECK: BLM APPRVD: DWP DATE: 12/10/09 SHT No: 1 REV No: B PART No: 900401

DynaMc® 250 EP 2 JAW CARRIAGE ASSEMBLY

NOTE: THIS DRAWING AND THE INFORMATION CONTAINED THEREIN IS THE CONFIDENTIAL AND PROPRIETARY PROPERTY OF McElroy Manufacturing, Inc. THE DRAWING IS NOT TO BE REPRODUCED IN ANY MANNER, SUBMITTED TO OUTSIDE PARTIES FOR EXAMINATION, OR USED DIRECTLY OR INDIRECTLY FOR THE PURPOSES OTHER THAN THOSE FOR WHICH IT WAS FURNISHED WITHOUT WRITTEN PERMISSION OF McElroy Manufacturing, Inc.

NOTES:

1. INSTALL WITH HIGH TEMPERATURE ANTI-SEIZE COMPOUND.
2. INSTALL WITH HIGH STRENGTH THREAD LOCKING COMPOUND.
3. ATTACH NAMEPLATE AT FINAL ASSEMBLY USING (4) DRIVE SCREWS.



## McElroy Manufacturing Parts List

**Part Number:** 900401 DynaMc 250 Electric Pump 2 Jaw Carriage Assembly

**Part Number 900401 Component List**

Item	Component	Description	Quantity	Unit	Price
1	A829101	Long Clamp Knob Assembly	2.0	EA	92.69
2	801701	Clamp Pad	2.0	EA	20.66
3	803901	Clamp Eyebolt	2.0	EA	97.38
4	808501	Clamp Pivot Pin	2.0	EA	16.45
5	811803	Guide Rod Support Plate	1.0	EA	325.00
6	882401	Dynamc Cyl End Block	2.0	EA	288.00
7	882501	DynaMc Hand Pump 2 Jaw Low Force Cylinder Assembly Set	1.0	ST	2,764.00
8	886701	Dynamc 250 Outer Fix Jaw	1.0	EA	961.00
9	886801	Dynamc 250 Movable Jaw	1.0	EA	961.00
10	888301	Dynamc 250 All Thread (Effective to 6/14/10)	1.0	EA	0.00
11	892301	DYNAMC250 2J Roll Bar Skid Wld	1.0	EA	1,088.00
12	898201	DynaMc 28 EP Sidewall Carriage Plumbing Schematic	1.0	EA	779.00
13	1255701	Dynamc Carriage Skid Wld	1.0	EA	741.00
14	T2503402	Upper Jaw	2.0	EA	740.00
15	MAB00065	3/8-16NCX1-1/4LG Hhcs	2.0	EA	0.52
16	MAB00077	3/8-16NCX1LG Hhcs GR8	2.0	EA	0.70
17	MAG00002	#10-24NCX3/8LG Skt Set Scr	2.0	EA	1.27
18	MAN00001	#10-24NCX3/8 LG Fhcs SS	4.0	EA	0.41
19	MAN00002	1/2-13NCX1-1/2 LG Shcs SS	2.0	EA	3.46
20	MAN00068	1/2-13NC X 2-1/4 LG Shcs SS	2.0	EA	0.00
21	MBA00009	1/2-13NC Fnsh Hex Nut Stl PL (Effective to 6/14/10)	2.0	EA	0.46
22	MBE00009	1/2 Reg Splt Lck Washer Stl PL	4.0	EA	0.18
23	MBG00001	3/8 Type 'an' FL Wshr Stl PL	4.0	EA	0.26
24	MCE00002	1/4DIA X 2.00 Grip Detent Pin	4.0	EA	10.72
25	MCE00006	1/2DIA X 2.00 Grip Detent Pin	2.0	EA	12.47
26	MCF00051	1/2DIA X 9.68/9.63 Grip Clv Pin	1.0	EA	50.06
27	MCH00015	3/8DIA X 1-7/8LG Hair Pin	1.0	EA	0.51

Please visit <https://fusion.mcelroy.com/parts> to purchase parts or for more information.