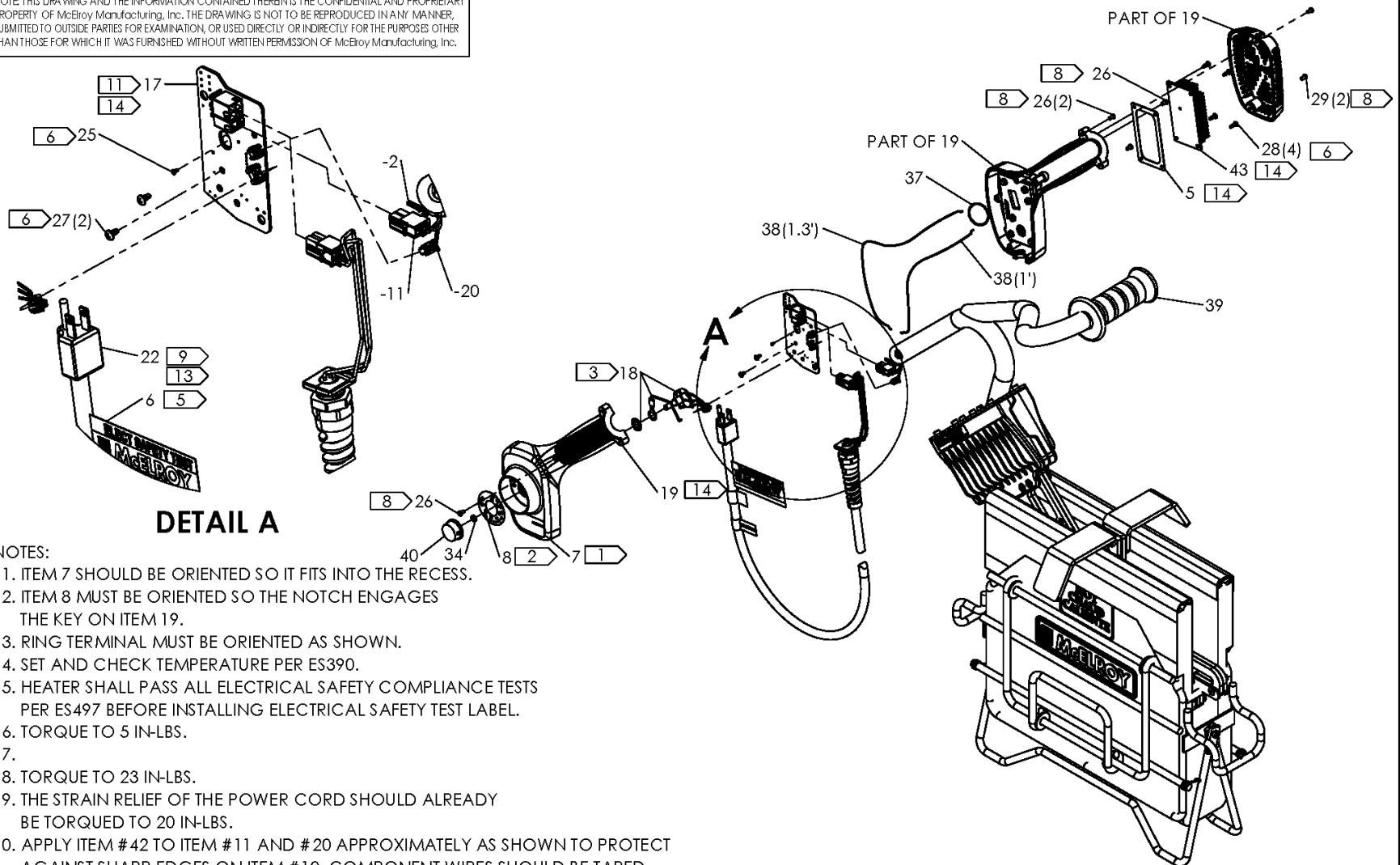


#28 DIPS HEATER ASSEMBLY 100-120V, 50/60HZ, 1Ph

NOTE: THIS DRAWING AND THE INFORMATION CONTAINED THEREIN IS THE CONFIDENTIAL AND PROPRIETARY PROPERTY OF McElroy Manufacturing, Inc. THE DRAWING IS NOT TO BE REPRODUCED IN ANY MANNER, SUBMITTED TO OUTSIDE PARTIES FOR EXAMINATION, OR USED DIRECTLY OR INDIRECTLY FOR THE PURPOSES OTHER THAN THOSE FOR WHICH IT WAS FURNISHED WITHOUT WRITTEN PERMISSION OF McElroy Manufacturing, Inc.



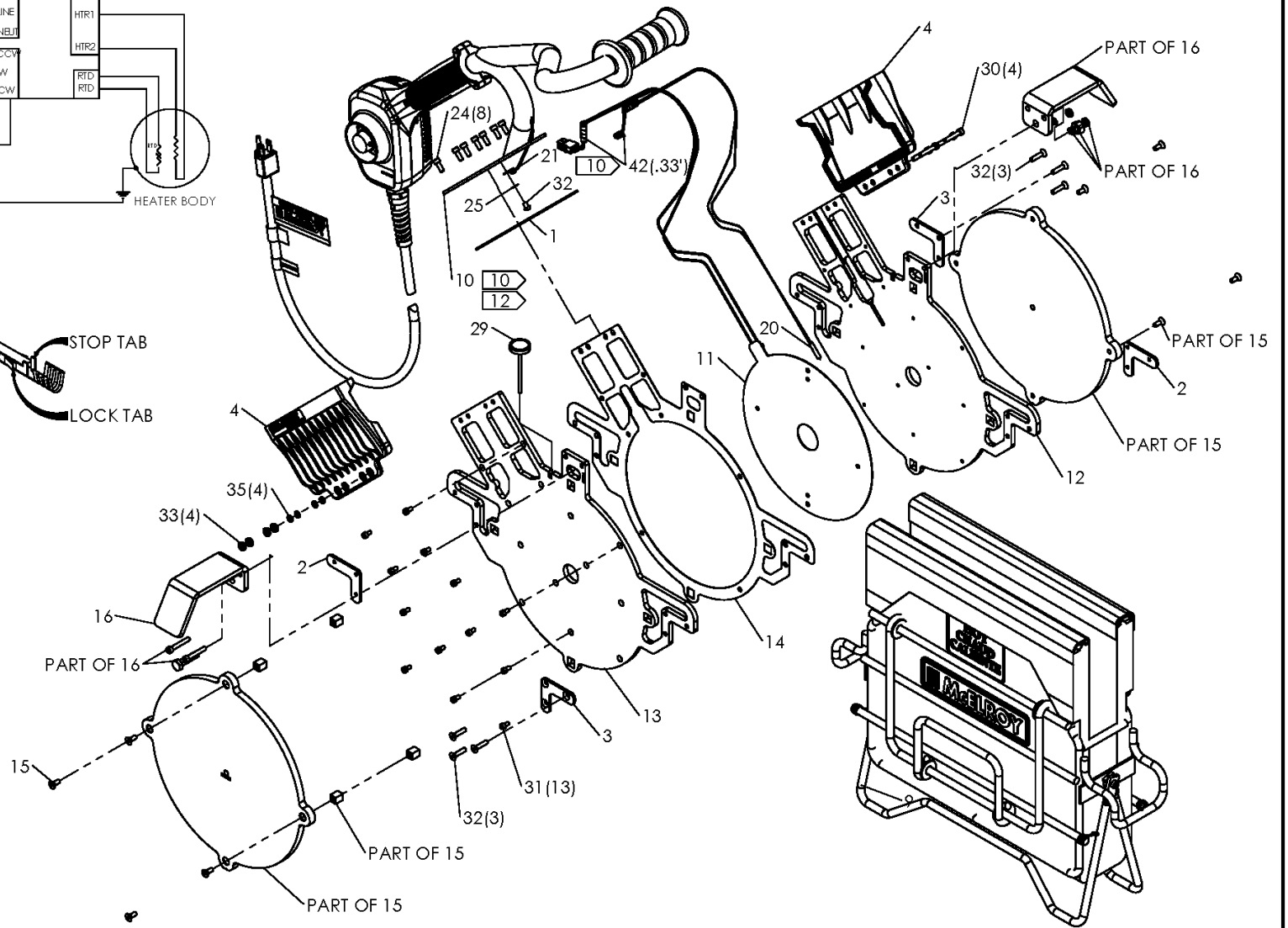
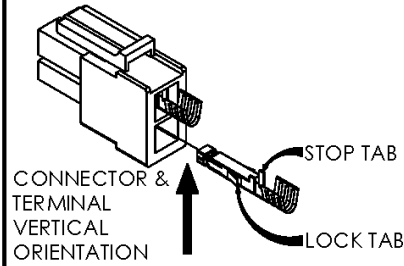
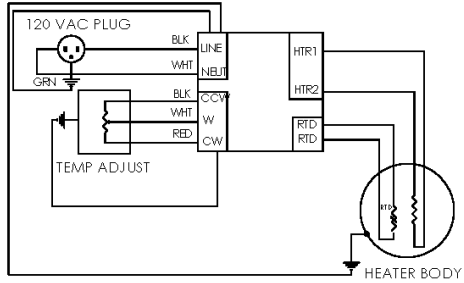
**DETAIL A**

NOTES:

1. ITEM 7 SHOULD BE ORIENTED SO IT FITS INTO THE RECESS.
2. ITEM 8 MUST BE ORIENTED SO THE NOTCH ENGAGES THE KEY ON ITEM 19.
3. RING TERMINAL MUST BE ORIENTED AS SHOWN.
4. SET AND CHECK TEMPERATURE PER ES390.
5. HEATER SHALL PASS ALL ELECTRICAL SAFETY COMPLIANCE TESTS PER ES497 BEFORE INSTALLING ELECTRICAL SAFETY TEST LABEL.
6. TORQUE TO 5 IN-LBS.
- 7.
8. TORQUE TO 23 IN-LBS.
9. THE STRAIN RELIEF OF THE POWER CORD SHOULD ALREADY BE TORQUED TO 20 IN-LBS.
10. APPLY ITEM #42 TO ITEM #11 AND #20 APPROXIMATELY AS SHOWN TO PROTECT AGAINST SHARP EDGES ON ITEM #10. COMPONENT WIRES SHOULD BE TAPED SEPARATELY FROM OTHER COMPONENTS.
11. APPLY THIN LAYER OF HTRC COMPOUND TO THE TRIAC ON THE BACK OF THE PCB.
12. ORDER T5077501 TO REPLACE THE HEATER HANDLE WELDMENT SUBASSEMBLY.
13. ORDER AT5078112 TO REPLACE POWER CABLE.
14. COMPONENT MUST BE ORDERED AS PART OF THE T5033401 SUBASSEMBLY

## #28 DIPS HEATER ASSEMBLY 100-120V, 50/60HZ, 1Ph

NOTE: THIS DRAWING AND THE INFORMATION CONTAINED THEREIN IS THE CONFIDENTIAL AND PROPRIETARY PROPERTY OF McElroy Manufacturing, Inc. THE DRAWING IS NOT TO BE REPRODUCED IN ANY MANNER, SUBMITTED TO OUTSIDE PARTIES FOR EXAMINATION, OR USED DIRECTLY OR INDIRECTLY FOR THE PURPOSES OTHER THAN THOSE FOR WHICH IT WAS FURNISHED WITHOUT WRITTEN PERMISSION OF McElroy Manufacturing, Inc.



## McElroy Manufacturing Parts List

**Part Number:** 901601 28 DIPS 100-120V,50/60Hz Heater Assembly

**Part Number 901601 Component List**

| Item | Component | Description   | Quantity | Unit | Price  |
|------|-----------|---|----------|------|--------|
| 1    | 1808102   | Htr Gasket  | 1.0      | EA   | 5.26   |
| 2    | 1852011   | Tapped Htr Guide Rod Sprt Bkt                         | 2.0      | EA   | 40.05  |
| 3    | 1852012   | C'sunk Htr Guide Rod Sprt Bkt                         | 2.0      | EA   | 40.05  |
| 4    | 1863102   | Htr Terminal Enclosure Half                           | 2.0      | EA   | 53.85  |
| 5    | 437401    | Heat Sink Gasket                                      | 1.0      | EA   | 0.00   |
| 6    | 8163210   | Electrical Safety Test Label                          | 1.0      | EA   | 0.00   |
| 7    | 8163408   | Model 901601/02 Part NO Label                         | 1.0      | EA   | 10.77  |
| 8    | 816382    | Temperature Scale Label                               | 1.0      | EA   | 7.33   |
| 9    | 821802    | Heater Bag Assembly                                   | 1.0      | EA   | 771.00 |
| 10   | 838007    | Heater Handle Wld                                     | 1.0      | EA   | 193.00 |
| 11   | 838027    | 120V Mica/foil Htr Elem W/conn                        | 1.0      | EA   | 458.00 |
| 12   | 848703    | Right Heater Body                                     | 1.0      | EA   | 728.00 |
| 13   | 848704    | Left Heater Body                                      | 1.0      | EA   | 728.00 |
| 14   | 848705    | Heater O.d. Spacer                                    | 1.0      | EA   | 182.00 |
| 15   | A848706   | 8 DIPS Heater Butt Plate Kit                          | 1.0      | EA   | 577.00 |
| 16   | A848707   | Heater Stripper Bar Kit                               | 1.0      | EA   | 155.00 |
| 17   | T5030006  | Heater Control Pcb Assy (Effective to 12/15/20)       | 1.0      | EA   | 0.00   |
| 17   | T5030009  | Heater Control Pcb Assy                               | 1.0      | EA   | 0.00   |
| 18   | T5030007  | Potentiometer Assy                                    | 1.0      | EA   | 26.35  |
| 19   | T5030108  | Heater Handle/enclosure                               | 1.0      | EA   | 0.00   |
| 20   | T5077603  | Rtd W/ Conn X 26"                                     | 1.0      | EA   | 98.16  |
| 21   | T5077902  | Ground Wire W/ Term X 17"                             | 1.0      | EA   | 31.16  |
| 22   | T5078102  | 15A/125V Pwr Cord W/plug&conn                         | 1.0      | EA   | 188.00 |
| 23   | MAH00030  | #10-24NCX1/4LG RhsmS SS                               | 1.0      | EA   | 0.30   |
| 24   | MAH00046  | #10-24NCX1/2LG Shcs SS                                | 8.0      | EA   | 0.39   |
| 25   | MAH00296  | #6-32X1/4 Phil Pan Sealg Scr                          | 1.0      | EA   | 2.00   |
| 26   | MAL00010  | #6-19X3/4LG Torx T15 Pan Hdscr                        | 4.0      | EA   | 0.56   |
| 27   | MAL00011  | #6-19X1/4LG Torx T15 Pan Hdscr (Effective to 1/15/20) | 2.0      | EA   | 0.66   |
| 27   | MAL00034  | #6-19X1/4LG Phil Pan Hdscr                            | 2.0      | EA   | 0.06   |
| 28   | MAL00030  | #6-19X3/8LG Torx T15 Pan Hdscr (Effective to 1/15/20) | 4.0      | EA   | 0.07   |
| 28   | MAL00035  | #6-19X3/8LG Phil Pan Hdscr                            | 4.0      | EA   | 0.08   |
| 29   | MAL00031  | #6-19X1-1/2'LG Torx T15 Panscr                        | 2.0      | EA   | 0.24   |
| 30   | MAN00008  | #10-24NCX1LG Shcs SS                                  | 4.0      | EA   | 0.49   |
| 31   | MAN00023  | #8-32NCX5/16LG Shcs SS                                | 13.0     | EA   | 0.49   |
| 32   | MAN00036  | #10-32NFX7/8LG Fhscs SS                               | 6.0      | EA   | 0.41   |
| 33   | MBA00004  | #10-24NC Hex Nut Stl PL                               | 4.0      | EA   | 0.35   |
| 34   | MBA00067  | 3/8-32NEF X 0.22 X 1/4 Sealnut                        | 1.0      | EA   | 6.22   |
| 35   | MBE00004  | #10 Reg Split Lck Washer Stl PL                       | 4.0      | EA   | 0.10   |
| 36   | MBG00072  | #10 Int Tooth Lock Washer                             | 1.0      | EA   | 0.29   |
| 37   | MDL00018  | O-ring  | 1.0      | EA   | 0.61   |
| 38   | MDL00373  | .040DIA Buna O-ring Cord Stock                        | 2.3      | FT   | 1.81   |
| 39   | MJJ00009  | 1" Black Gloss Hand Grip                              | 1.0      | EA   | 3.86   |
| 40   | MJJ00023  | Control Knob  | 1.0      | EA   | 5.24   |
| 41   | MJK00002  | 2.5LG,150-650DEG F Thermometer                        | 1.0      | EA   | 48.72  |
| 42   | MLN00219  | Fiberglass Tape (per Ft)                              | 0.66     | FT   | 0.56   |
| 43   | MQI00111  | Heatsink  | 1.0      | EA   | 0.00   |

Please visit <https://fusion.mcelroy.com/parts> to purchase parts or for more information.