

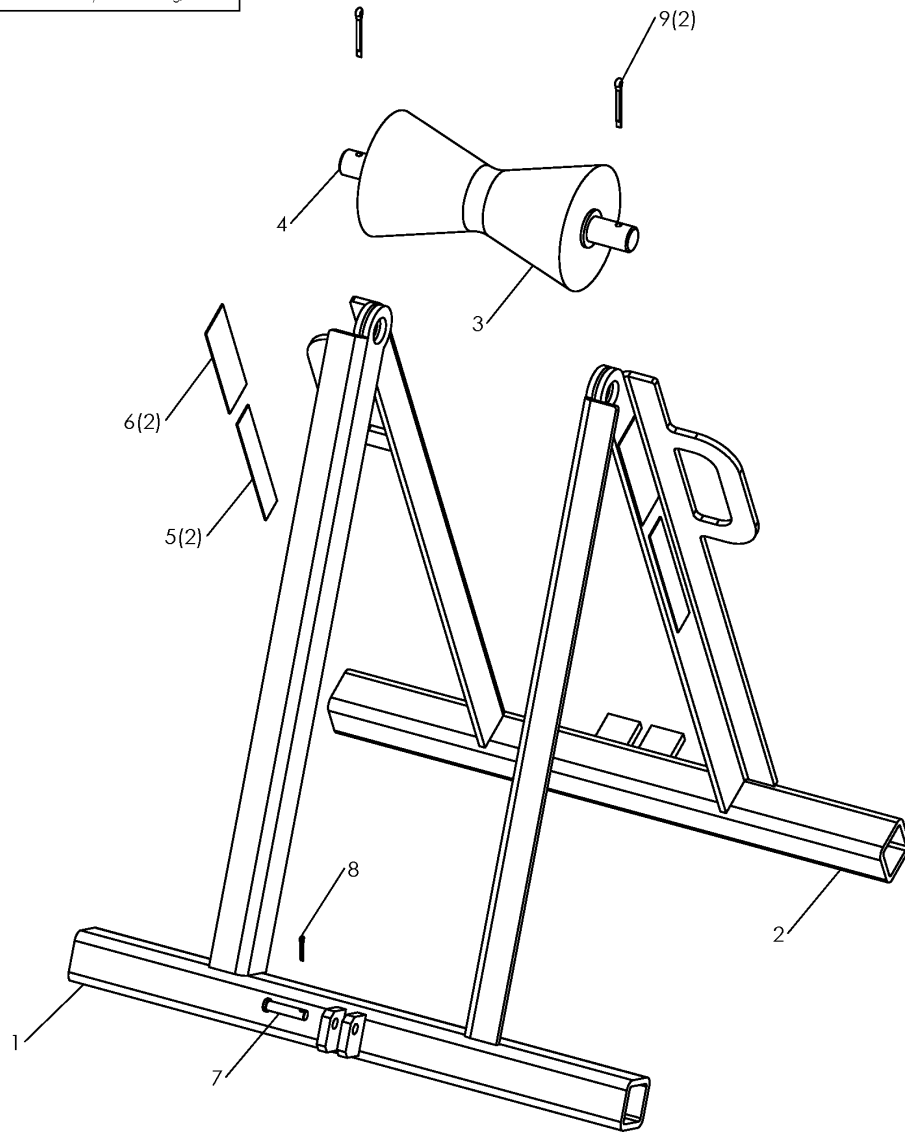


McElroy Manufacturing, Inc.
The leader by design.
Tulsa, Oklahoma U.S.A.

DRAWN: CRN	CHECK: JBC	APPRVD: BWJ	DATE: 6/28/17	SHT No: 1	REV No: A	PART No: 906501
------------	------------	-------------	---------------	-----------	-----------	-----------------

8" PIPE STAND ASSEMBLY

NOTE: THIS DRAWING AND THE INFORMATION CONTAINED THEREIN IS THE CONFIDENTIAL AND PROPRIETARY PROPERTY OF McElroy Manufacturing, Inc. THE DRAWING IS NOT TO BE REPRODUCED IN ANY MANNER, SUBMITTED TO OUTSIDE PARTIES FOR EXAMINATION, OR USED DIRECTLY OR INDIRECTLY FOR THE PURPOSES OTHER THAN THOSE FOR WHICH IT WAS FURNISHED WITHOUT WRITTEN PERMISSION OF McElroy Manufacturing, Inc.



McElroy Manufacturing Parts List

Part Number: 906501 8" Pipe Stand Assembly

Part Number 906501 Component List

Item	Component	Description	Quantity	Unit	Price
1	906502	Pipe Stand Inner Leg	1.0	EA	337.00
2	906503	Pipe Stand Outer Leg	1.0	EA	326.00
3	906601	Polyurethane Roller	1.0	EA	319.00
4	906701	Roller Shaft	1.0	EA	73.81
5	8163234	McElroy Branding Label	2.0	EA	7.07
6	8163347	2500 LB Load Rating Label	2.0	EA	12.64
7	MCF00018	3/8DIAX1-25/64 Grip Clv Pin PL	1.0	EA	2.27
8	MCH00001	1/8DIAX1LG Cotter Pin	1.0	EA	0.12
9	MCH00003	3/16DIAX1-1/2LG Cotter Pin	2.0	EA	0.15
10	MDG00052	5/16 Chain X 5 Ft/app 49 Links	1.0	EA	75.24

Please visit <https://fusion.mcelroy.com/parts> to purchase parts or for more information.

